

FZ-*i* / FX-*i* SERIES
FZ-*i* WP/ FX-*i* WP SERIES
FZ-GD/ FX-GD SERIES

Precision Balance

INSTRUCTION MANUAL

FZ-120*i* / FZ-200*i* / FZ-300*i* / FZ-500*i*
FZ-1200*i* / FZ-2000*i* / FZ-3000*i* / FZ-5000*i*
FX-120*i* / FX-200*i* / FX-300*i* / FX-500*i*
FX-1200*i* / FX-2000*i* / FX-3000*i* / FX-5000*i*
FZ-120*i* WP / FZ-200*i* WP / FZ-300*i* WP
FZ-1200*i* WP / FZ-2000*i* WP / FZ-3000*i* WP
FX-120*i* WP / FX-200*i* WP / FX-300*i* WP
FX-1200*i* WP / FX-2000*i* WP / FX-3000*i* WP
FZ-120GD / FZ-200GD / FZ-300GD
FZ-1200GD / FZ-2000GD / FZ-3000GD
FX-120GD / FX-200GD / FX-300GD
FX-1200GD / FX-2000GD / FX-3000GD



© 2011 A&D Company Ltd. All rights reserved.

No part of this publication may be reproduced, transmitted, transcribed, or translated into any language in any form by any means without the written permission of A&D Company Ltd.

The contents of this manual and the specifications of the instrument covered by this manual are subject to change for improvement without notice.

Windows, Word and Excel are the registered trademarks of the Microsoft Corporation.

CONTENTS

Basic Operation

1.	INTRODUCTION.....	5
1.1.	About This Manual.....	5
1.2.	Features.....	5
1.3.	Compliance.....	6
2.	PRODUCT CONFIGURATION (PART NAMES), INSTLATION AND PRECAUTIONS.....	7
2.1.	Unpacking.....	7
2.2.	Assembling.....	9
3.	PRECAUTIONS.....	10
3.1.	Before Use.....	10
3.2.	During Use.....	11
3.3.	After Use.....	12
3.4.	Power Supply.....	12
4.	DISPLAY SYMBOLS AND KEY OPERATION.....	13
5.	WEIGHING UNITS.....	14
5.1.	Units.....	14
5.2.	Storing Units.....	16
6.	WEIGHING.....	17
6.1.	Basic Operation (Gram Mode).....	17
6.2.	FZ-GD / FX-GD Series Balances.....	18
6.3.	Basic Operation (FZ-GD / FX-GD Series Balances).....	18
6.4.	Counting Mode (PCS).....	20
6.5.	Percent Mode (%).....	22
6.6.	Statistical Calculation Mode.....	23
6.7.	Statistical Calculation Mode (Example of Use).....	28

Adapting to the Environment

7.	RESPONSE ADJUSTMENT.....	30
8.	CALIBRATION.....	31
8.1.	Calibration Mode.....	31
8.2.	Calibration Using the Internal mass (One-Touch Calibration, only for FZ- <i>i</i> series).....	32
8.3.	Calibration Using an External Weight.....	33
8.4.	Calibration Test Using an External Weight.....	35
8.5.	Correcting the Internal Mass Value: 1 (Only for FZ- <i>i</i> / FZ- <i>i</i> WP / FZ-GD series).....	37
8.6.	Correcting the Internal Mass Value: 2 (Only for FZ- <i>i</i> / FZ- <i>i</i> WP / FZ-GD series).....	38
9.	FUNCTION SWITCH AND INITIALIZATION.....	39
9.1.	Permit or Inhibit.....	39
9.2.	Initializing the Balance.....	40

Functions

10.	FUNCTION TABLE	41
10.1.	Structure and Sequence of the Function Table	41
10.2.	Display and Keys	41
10.3.	Details of the Function Table	42
10.4.	Description of the Class "Environment, Display"	45
10.5.	Description of the Item "Data Output Mode"	47
10.6.	Description of the Item "Data Format"	48
10.7.	Data Format Examples	50
10.8.	Description of the Item "Application Function"	51
10.9.	Clock and Calendar Function (Only for FZ-i / FZ- i WP / FZ-GD series)	52
10.10.	Comparator Function	53
11.	ID NUMBER AND GLP REPORT	55
11.1.	Setting the ID Number	55
11.2.	GLP Report	56
12.	UNDERHOOK	59
13.	PROGRAMMABLE-UNIT	60
14.	PASSWORD LOCK FUNCTION	61

RS-232C Serial Interface

16.	RS-232C SERIAL INTERFACE	69
17.	CONNECTION TO Peripheral EQUIPMENT	70
17.1.	Connection to the AD-8127 Multi Printer or AD-8126 Mini Printer	70
17.2.	Connection to the AD-8121B Printer	71
17.3.	Connection to a Computer	71
17.4.	Using Windows Communication Tools (WinCT)	72
17.5.	Simultaneously Connecting the AD-8127 Printer and a Personal Computer	73
18.	COMMANDS	74
18.1.	Command List	74
18.2.	Acknowledge Code and Error Codes	75
18.3.	Settings Related to RS-232C	77

Maintenance

19.	MAINTENANCE	78
19.1.	Care	78
20.	TROUBLESHOOTING	79
20.1.	Checking the Balance Performance and Environment	79
20.2.	Error Codes	80
20.3.	Asking For Repair	81
21.	OPTIONS	82
22.	SPECIFICATIONS	87
23.	EXTERNAL DIMENSIONS	89
24.	TERMS/INDEX	90

1. INTRODUCTION

This manual describes how the FZ-*i* / FX-*i* / FZ-*i*WP / FX-*i*WP / FZ-GD / FX-GD series balance works and how to get the most out of it in terms of performance.

Read this manual thoroughly before using the balance and keep it at hand for future reference.

1.1. About This Manual

This manual consists of the following five parts:

- Basic operation Describes precautions on handling the balance, balance construction and basic balance operation.
- Adapting to the environment Describes response adjustment and calibration.
- Functions Describes various functions of the balance.
- RS-232C serial interface Describes the interface which transmits data and controls the balance.
- Maintenance Describes maintenance, error codes, troubleshooting, specifications and options.

1.2. Features

- Compact general-purpose balance, can be installed almost anywhere.
- The FZ-*i* / FZ- *i* WP / FZ-GD series balance is equipped with an internal mass for one-touch calibration.
- Casing construction, strong protection against dust and moisture.
- Stabilization time of one second. When **[FAST]** is selected for the response rate, a stabilization time of one second, to read a displayed value after a sample is placed on the pan, has been achieved.
- Multiple weighing units with most of the common units used around the world.
- Standard RS-232C serial interface to communicate with a computer and to output the Good Laboratory Practice (GLP) / Good Manufacturing Practice (GMP) compliant report.
- Statistical calculation mode to statistically calculate the weight data, and display or output the sum, maximum, minimum, range (maximum-minimum), average, standard deviation and coefficient of variation.
- Comparator indicators for displaying the comparison results using **[HI]**, **[OK]** and **[LO]**.
- Hold Function, provided for weighing a moving object such as an animal.
- Breeze break, provided for the 120/200/300 of the FZ- *i* series, FZ- *i* WP series and FZ-GD series (including 500 for the FX- *i* series), for more accurate weighing.
- Underhook, provided for suspended weighing.
- As options, the USB interface (FX*i*-02), the Ethernet interface (FX*i*-08) and the built-in battery unit (FX*i*-09) are available. * Using these options with the FZ- *i* WP / FX- *i* WP series prevent the balance from having dustproof and waterproof performance.
Connecting the USB interface, by cable to a Windows computer, allows transmission of the weight data to Excel or Word. The Ethernet interface allows connection of the balance to a personal computer through a LAN. The battery unit allows use of the balance where a power source is not available.
- The AD-8920A remote display, that is sold separately, allows reading the weight value in a place away from the balance.

1.3. Compliance

Compliance with FCC Rules

Please note that this equipment generates, uses and can radiate radio frequency energy. This equipment has been tested and has been found to comply with the limits of a Class A computing device pursuant to Subpart J of Part 15 of FCC rules. These rules are designed to provide reasonable protection against interference when equipment is operated in a commercial environment. If this unit is operated in a residential area, it may cause some interference and under these circumstances the user would be required to take, at his own expense, whatever measures are necessary to eliminate the interference.

(FCC = Federal Communications Commission in the U.S.A.)

Compliance With Directives of CE mark

CE This device features radio interference suppression, safety regulation and restriction of Hazardous Substances in compliance with the following Council Directives

Council directive 2004/108/EC EN61326 EMC directive

Council directive 2006/95/EC EN60950 Safety of Information Technology Equipment

Council directive 2011/65/EU EN50581 Restriction of the use of certain Hazardous Substances

The CE mark is an official mandatory European marking.

Please note that any electronic product must comply with local laws and regulations when sold or used anywhere outside Europe.

2. PRODUCT CONFIGURATION (PART NAMES), INSTLLATION AND PRECAUTIONS

2.1. Unpacking

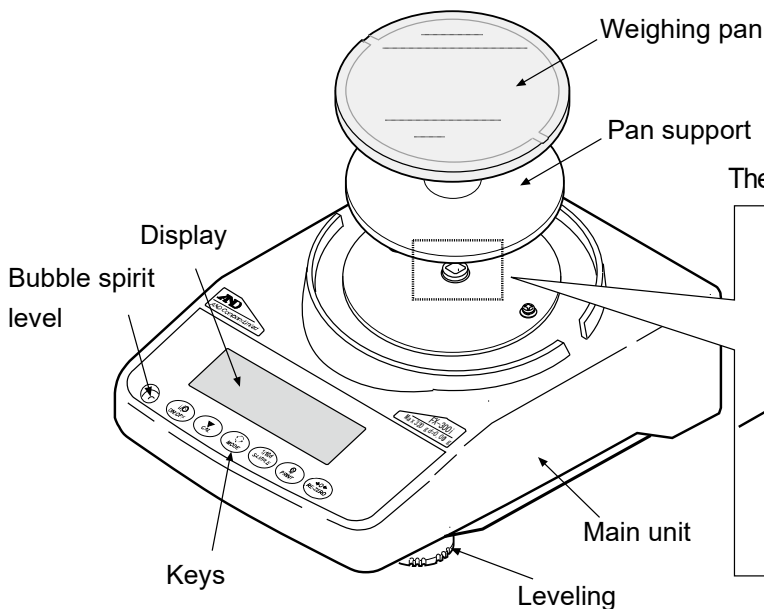
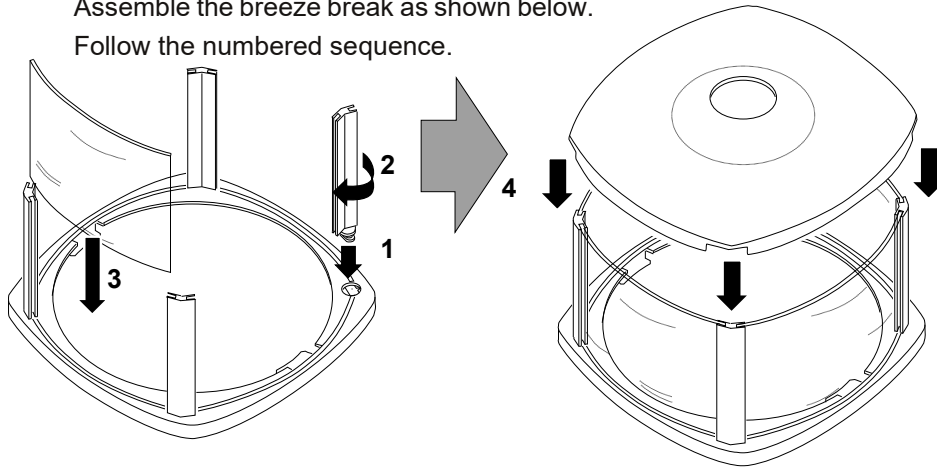
- The balance is a precision instrument. Unpack the balance carefully. Keep the packing material to be used for transporting the balance in the future.
- The packing contents depend on the balance model. See the illustrations to confirm that everything is contained.

How to assemble the breeze break

(included with all models of FZ-*i*/FZ-*i*WP/FZ-GD series, and FX-120*i*/200*i*/300*i*/500*i*, FX-120*i*WP/200*i*WP/300*i*WP and FX-120GD/200GD/300GD)

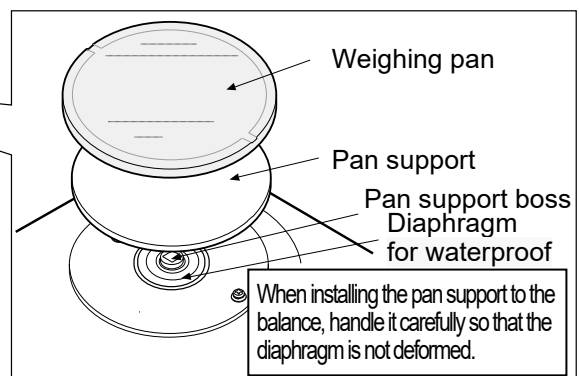
Assemble the breeze break as shown below.

Follow the numbered sequence.



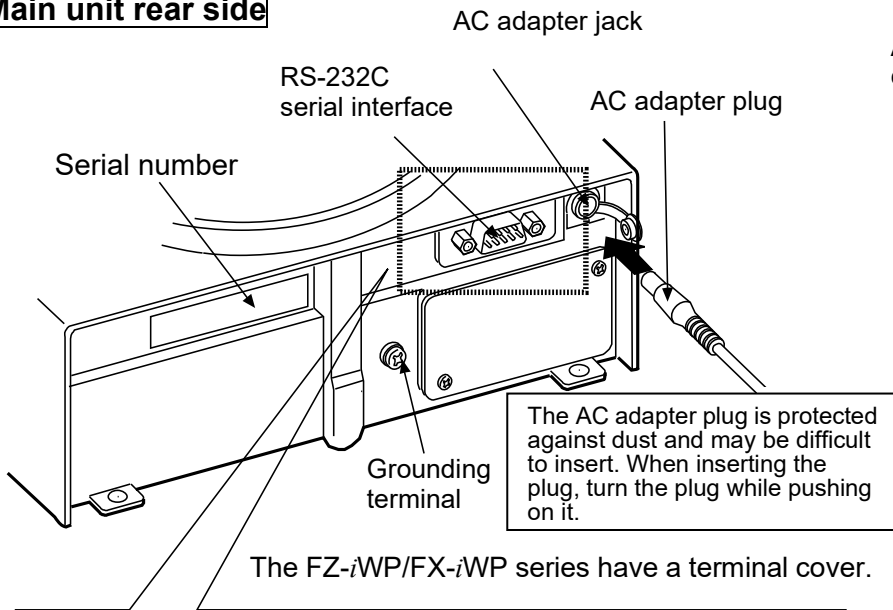
Aluminum pan support
for FZ-5000*i* and FX-5000*i*

The FZ-*i*WP/FX-*i*WP series have a different configuration.

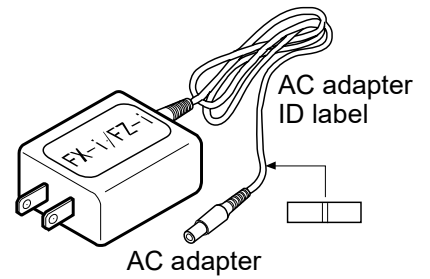


When installing the pan support to the balance, handle it carefully so that the diaphragm is not deformed.

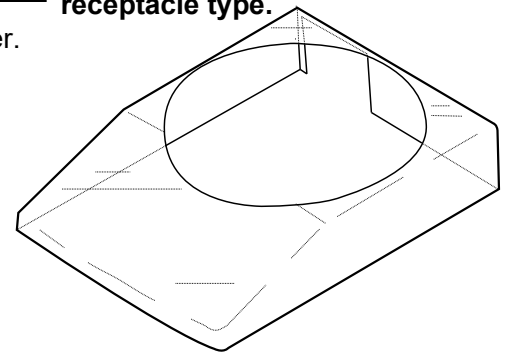
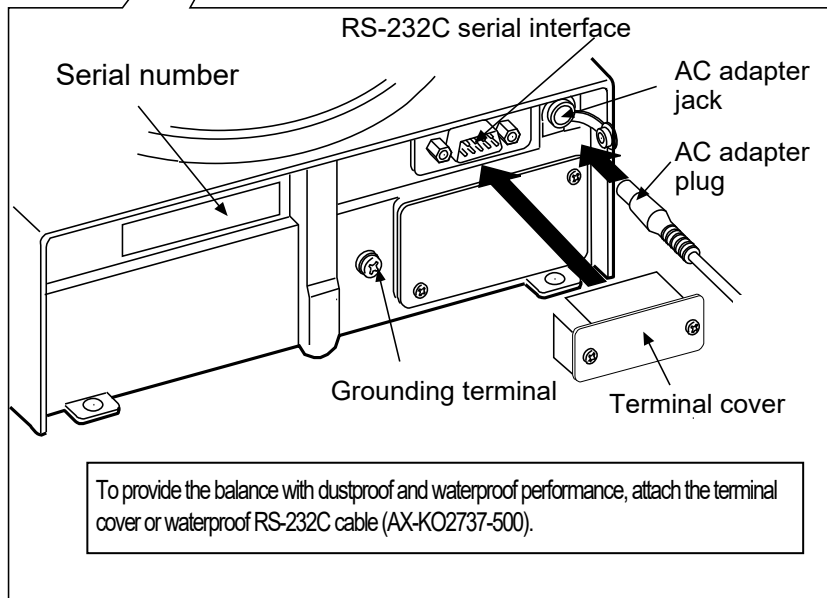
Main unit rear side



Affix the AC adapter ID label to the cord as shown in the figure below.



Note
Please confirm that the AC adapter type is correct for your local voltage and receptacle type.



CAUTION

- Use the AC adapter specified for the balance.
- Do not connect the provided AC adapter to equipment that it is not compatible with.
- Using the wrong AC adapter with the balance may prevent the balance and its peripheral equipment from operating properly.

2.2. Assembling

Install the balance as follows:

1. Place the balance on a solid weighing table. Refer to “2. PRODUCT CONFIGURATION (PART NAMES), INSTALLATION AND PRECAUTIONS” to assemble the weighing pan and breeze break.
2. Level the balance by turning the leveling feet so that the bubble in the bubble spirit level is inside the red circle.
3. Connect the AC adapter plug to the AC adapter jack on the rear side of the balance and connect the plug on other end of the cord to an outlet. * If the AC adapter plug is difficult to insert, insert the plug while twisting it.

Note

Confirm that the AC adapter type is correct for the local voltage and power receptacle type.

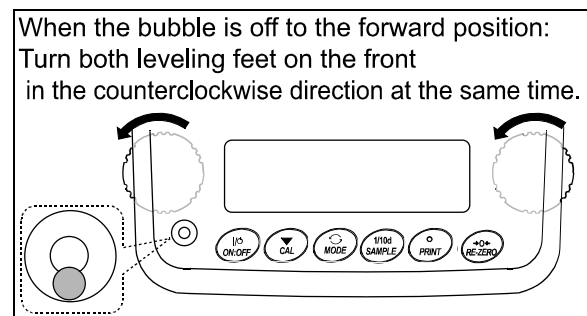
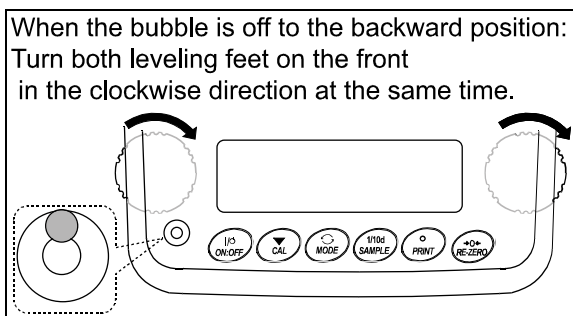
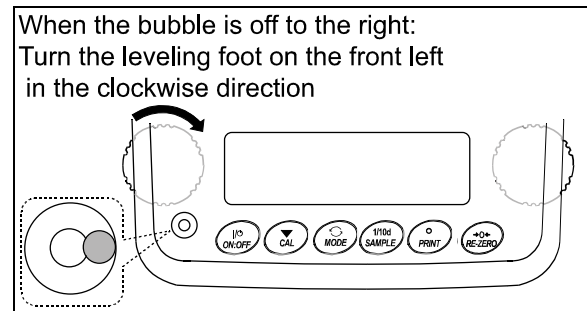
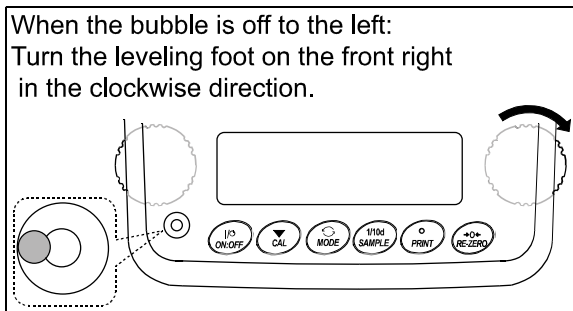
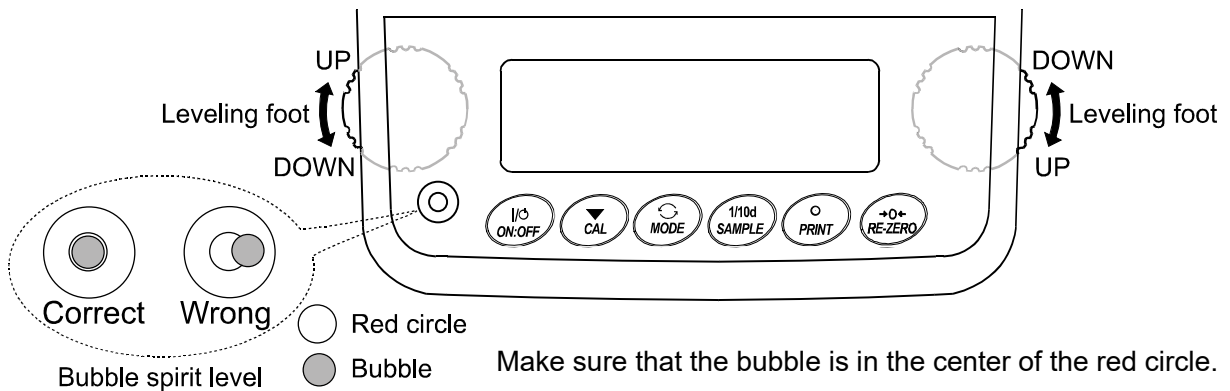
4. Connect the balance to the power for at least 30 minutes with nothing on the weighing pan before use.

3. PRECAUTIONS

To get the optimum performance from the balance and acquire accurate weight data, note the following:

3.1. Before Use

- Install the balance in an environment where the temperature and humidity are not excessive. The best operating temperature is about 20°C / 68°F at about 50% relative humidity.
- Install the balance where it is not exposed to direct sunlight and it is not affected by heaters or air conditioners.
- Install the balance where it is free of dust.
- Install the balance away from equipment which produces magnetic fields.
- Install the balance in a stable place avoiding vibration and shock. Corners of rooms on the first floor are best, as they are less prone to vibration.
- The weighing table should be solid and free from vibration, drafts and as level as possible.
- Level the balance by turning the leveling feet so that the bubble in the bubble spirit level is inside the red circle.



- Ensure a stable power source when using the AC adapter.
- Plug in the AC adapter and warm up the balance for at least one hour.
- Calibrate the balance before use or after having moved it to another location.

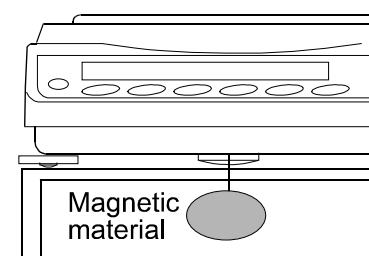
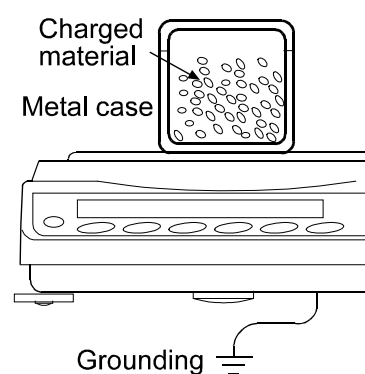
With the FZ-*i*WP/ FX- *i*WP series

- The meaning of IP-65 is "No ingress of dust. Projected against water jets".
If a powerful water jet is used or the balance is immersed in water, it may cause a damage that is due to ingress of water.
- Confirm that "the plug is inserted firmly into the jack" and "the terminal is covered using the waterproof cover or the waterproof RS-232C cable (AX-KO2737-500)", when using the balance.
- If the terminal cover for the RS-232C is removed from the balance or the waterproof RS-232C cable (AX-KO2737-500) is not used for the balance, the balance is prevented from having the dustproof and waterproof performance.

Caution: Do not install the balance where flammable or corrosive gas is present.

3.2. During Use

- Discharge static electricity from the material to be weighed (hereinafter referred to as the sample). When a sample could have a static charge, the weight data is influenced. Ground the balance and try the following:
 - Eliminate static electricity using the optional AD-1683 DC static eliminator.
 - Try to keep the ambient humidity above 45%RH.
 - Use a metal shield case for a charged sample.
 - Wipe charged plastic samples with a moistened cloth.
- This balance uses a strong magnet as part of the balance assembly, so please use caution when weighing magnetic materials such as iron. If there is a problem, use the underhook on the bottom of the balance to suspend the material away from the influence of the magnet.
- Eliminate the temperature difference between a sample and the environment. When a sample is warmer (cooler) than the ambient temperature, the sample will be lighter (heavier) than the true weight. This error is due to a rising (falling) draft around the sample.
- Make each weighing gently and quickly to avoid errors caused by the evaporation of moisture from the sample or the absorption of moisture by the sample.
- Do not drop things upon the weighing pan, or place a sample on the pan that is beyond the balance weighing capacity. Place a sample in the center of the weighing pan.
- Do not use a sharp instrument such as a pencil to press the keys. Use your finger only.
- Press the **RE-ZERO** key before each weighing to eliminate possible errors.
- Calibrate the balance periodically so as to eliminate possible errors.
- Take into consideration the affect of air buoyancy on a sample when more accuracy is required.
- Keep the balance interior free of dust and foreign materials.



- With all models of FZ-*i*/FZ-*i*WP/FZ-GD series and the 120/200/300 of the FX- *i*/FX- *i* WP/FX-GD series (including 500 for the FX- *i* series), a breeze break is provided as a standard accessory. Since an anti-static treatment has been applied to the breeze break components, there are cases where they may be charged with static electricity for a while after they are unpacked or when the humidity is low. If the weight value is unstable even when there are no drafts in the measurement environment or repeatability cannot be obtained properly, try removing the breeze break from the balance. Or wipe the clear plates using a cloth dampened with water to resolve the problem by discharging them. As another approach, using the optional AD-1683 DC static eliminator or applying an anti-static spray is also effective.

With the FX-*i*WP/ FZ-*i*WP series

- The balance has a highly airtight case due to it having dustproof and waterproof performance. Therefore, there are cases when the values displayed with the balance become unstable due to minute indoor pressure fluctuations such as when opening or closing the room door. Try measuring after stabilizing the pressure fluctuations.
- If water droplets or powder remain on the diagram for achieving waterproof performance or on the pan support boss, there may be cases where proper performance cannot be obtained from the balance. Use the balance after cleaning those.
- If the diagram for achieving the waterproof performance is deformed for reasons such as excessive load being applied, there may be cases where the values displayed on the balance is unstable until the deformation is fixed.

3.3. After Use

- Do not apply excessive shock to the balance or allow it to be dropped.
- Do not disassemble the balance.
- Do not use organic solvents or chemically treated cloth to clean the balance. When cleaning other than the breeze break, wipe using a lint free soft cloth dampened with water and a mild detergent.
- An anti-static treatment has been applied to the breeze break components. Wipe them with dry and a lint free soft cloth. Wiping them using a cloth dampened with water or a mild detergent repeatedly or washing them using water may cause the anti-static treatment performance to decrease.
- When cleaning the weighing pan, handle it carefully so that your fingers are not injured by the edges.

3.4. Power Supply

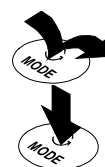
- When the AC adapter is connected, the balance is in the standby mode if the standby indicator is on (refer to “4. DISPLAY SYMBOLS AND KEY OPERATION”). This is a normal state and does not harm the balance. For accurate weighing, warm up the balance for at least 30 minutes before use.

4. DISPLAY SYMBOLS AND KEY OPERATION

Key operation

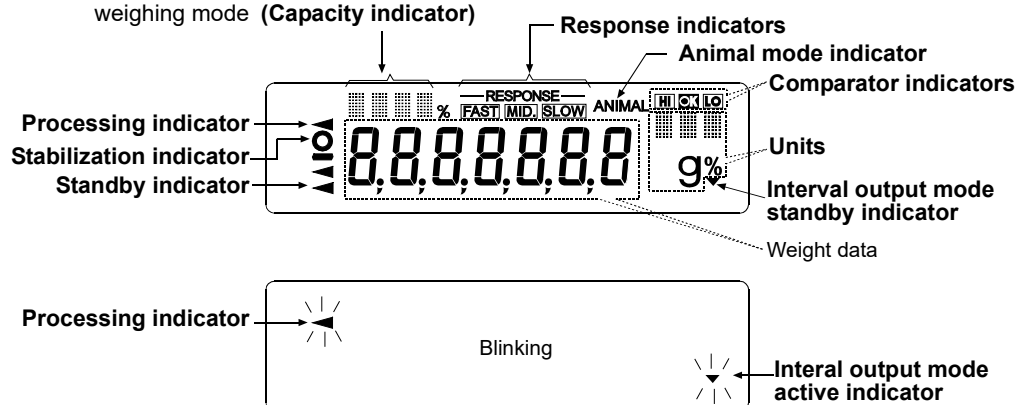
Key operation affects how the balance functions. The basic key operations are:

- “Press and release the key immediately” or “Press the key”
= normal key operation during measurement
- “Press and hold the key” (for 2 seconds)



Display symbols

- Number of statistical data (Statistical calculation mode)
- Displays the weight data relative to the weighing capacity, in percentage, in the weighing mode (**Capacity indicator**)



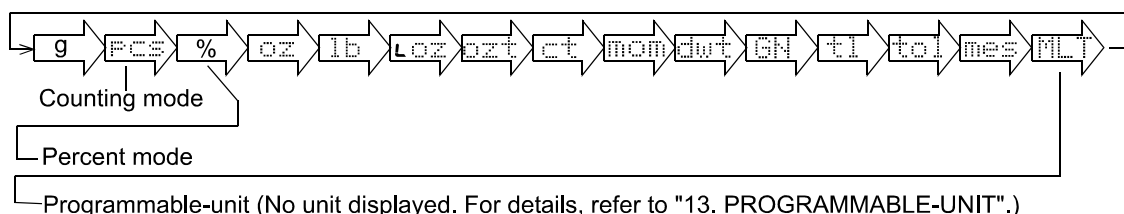
Each key, when pressed or when pressed and held, functions as follows:

Key	When pressed	When pressed and held (for 2 seconds)
	Turns the display on or off. The standby indicator is displayed when the display is turned off. The weighing mode is enabled when the display is turned on. This key is available anytime. Pressing the key during operation will interrupt the operation and turn the display off.	
	In the weighing mode, turns the minimum weighing value on or off. In the counting or percent mode, enters the sample storing mode.	Enters the function table mode. Refer to “10. FUNCTION TABLE”.
	Switches the weighing units stored in the function table. Refer to “5. WEIGHING UNITS”.	Enters the response adjustment mode.
	Cancels the operation when performing settings. With the FZ-i / FZ-iWP / FZ-GD series, enters the calibration mode using the internal mass. (One-touch calibration)	Enters the calibration mode.
	Outputs the weight data to a printer or personal computer using the RS-232C serial interface, depending on the function table settings. Confirms the operation when performing settings.	No function at the factory setting By changing the function table: Outputs “Title block” and “End block” for GLP/GMP compliant report.(Refer to “11.2. GLP Report”.)
	Sets the display to zero.	

5. WEIGHING UNITS

5.1. Units

With the FZ-i / FX-i / FZ-iWP / FX-iWP / FZ-GD / FX-GD series balance, the following weighing units and weighing modes are available:



A unit or mode can be selected and stored in the function table as described below.

If a weighing mode (or unit of weight) has been turned off, that mode or unit will be missing in the sequence. Tael has four varieties, one of which can be selected and installed at the factory.

To select a unit or mode for weighing, press the **MODE** key.

For details about the units and modes, see the table below:

Name (unit, mode)	Abbrev.	Display	Function table (Storing mode)	Conversion factor 1 g =
Gram	g	g	g	1 g
Counting mode	Pcs	Pcs	Pcs	—
Percent mode	%	%	%	—
Ounce (Avoir)	Oz	oz	oz	28.349523125 g
Pound	Lb	lb	lb	453.59237 g
Pound/Ounce	L OZ	L oz	LO	1Lb=16 oz, 1 oz=28.349523125 g
Troy Ounce	Ozt	ozt	ozt	31.1034768 g
Metric Carat	Ct	ct	ct	0.2 g
Momme	Mom	mom	mom	3.75 g
Pennyweight	Dwt	dwt	dwt	1.55517384 g
Grain (UK)	GN	GN	GN	0.06479891 g
Tael (HK general, Singapore)	TL	tl	tl	37.7994 g
Tael (HK jewelry)				37.429 g
Tael (Taiwan)				37.5 g
Tael (China)				31.25 g
Tola (India)	Tol	tol	tol	11.6638038 g
Messghal	Mes	mes	mes	4.6875 g
Programmable-unit (Multi-unit)	Mlt	MLT	MLT	—

The tables below indicate the weighing capacity and the minimum display for each unit, depending on the balance model.

Unit	Capacity				Minimum display
	FZ- <i>i</i> /FZ- <i>i</i> WP/FZ-GD/FX- <i>i</i> /FX- <i>i</i> WP/FX-GD			FZ- <i>i</i> /FX- <i>i</i>	
	120	200	300	500	
Gram	122	220	320	520	0.001
Ounce (Avoir)	4.30	7.76	11.2	18.3	0.00005
Pound	0.268	0.485	0.705	1.14	0.000005
Pound/Ounce	0L 4.30 oz	0L 7.76 oz	0L 11.29 oz	0L 18.34 oz	1L 0.01 oz
Troy Ounce	3.92	7.07	10.2	16.7	0.00005
Metric Carat	610	1100	1600	2600	0.005
Momme	32.5	58.6	85.3	138	0.0005
Pennyweight	78.4	141	205	334	0.001
Grain (UK)	1882	3395	4938	8024	0.02
Tael (HK general, Singapore)	3.22	5.82	8.46	12.1	0.00005
Tael (HK jewelry)	3.25	5.87	8.54	13.8	0.00005
Tael (Taiwan)	3.25	5.86	8.53	13.8	0.00005
Tael (China)	3.90	7.04	10.2	16.6	0.00005
Tola (India)	10.4	18.8	27.4	44.5	0.0001
Messghal	26.0	46.9	68.2	110	0.0005

Unit	Capacity				Minimum display
	FZ- <i>i</i> /FZ- <i>i</i> WP/FZ-GD/FX- <i>i</i> /FX- <i>i</i> WP/FX-GD			FZ- <i>i</i> /FX- <i>i</i>	
	1200	2000	3000	5000	
Gram	1220	2200	3200	5200	0.01
Ounce (Avoir)	43.0	77.6	112	183	0.0005
Pound	2.68	4.85	7.05	11.4	0.00005
Pound/Ounce	2L 11.03 oz	4L 13.60 oz	7L 0.88 oz	11L 7.65 oz	1L 0.01 oz
Troy Ounce	39.2	70.7	102	167	0.0005
Metric Carat	6100	11000	16000	26000	0.005
Momme	325	586	853	1386	0.005
Pennyweight	784	1414	2057	3343	0.01
Grain (UK)	18827	33951	49383	80248	0.2
Tael (HK general, Singapore)	32.2	58.2	84.6	121	0.0005
Tael (HK jewelry)	32.5	58.7	85.4	138	0.0005
Tael (Taiwan)	32.5	58.6	85.3	138	0.0005
Tael (China)	39.0	70.4	102	166	0.0005
Tola (India)	104	188	274	445	0.001
Messghal	260	469	682	1109	0.005

5.2. Storing Units

The units or modes can be selected and stored in the function table. The sequence of displaying the units or modes can be arranged in the function table so as to fit the frequency of use.

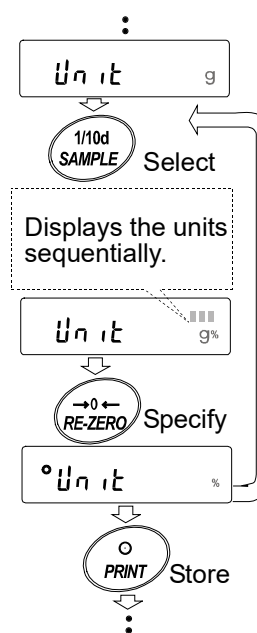
Select a unit or mode and arrange the sequence of display as follows:

- 1 Press and hold the **SAMPLE** key until **bASFnC** of the function table is displayed.
- 2 Press the **SAMPLE** key several times to display **1Unit**.
- 3 Press the **PRINT** key to enter the unit selection mode.
- 4 Specify a unit or mode in the order to be displayed using the following keys.

SAMPLE key To sequentially display the units.

RE-ZERO key To specify a unit or mode. The stabilization indicator appears when the displayed unit or mode is specified.

- 5 Press the **PRINT** key to store the units or modes. The balance displays **End** and then displays the next menu item of the function table.
- 6 Press the **CAL** key to exit the function table. Then the balance returns to the weighing mode with the unit specified first in step 4.



Notes

When the power is turned on, the scale displays the unit specified first in step 4.

In the weighing mode, to select a unit or mode for weighing, press the **MODE key.**

6. WEIGHING

6.1. Basic Operation (Gram Mode)

- 1 Place a container on the weighing pan, if necessary.
Press the **RE-ZERO** key to cancel the weight (tare). The balance displays **0.00 g**. (The decimal point position depends on the balance model.)
- 2 Place a sample on the pan or in the container.
- 3 Wait for the stabilization indicator to turn on. Read the value.

While the stabilization indicator is on, pressing the **PRINT** key will output the weight value, using the RS-232C serial interface.

Note

Peripheral equipment, that is sold separately, such as a printer or a personal computer is required.

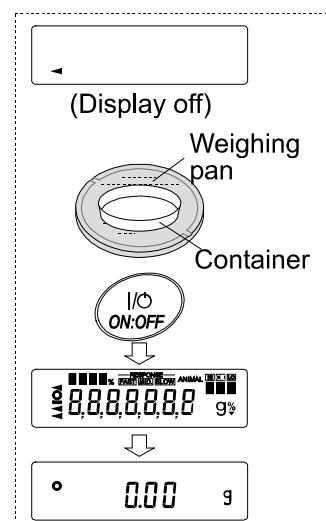
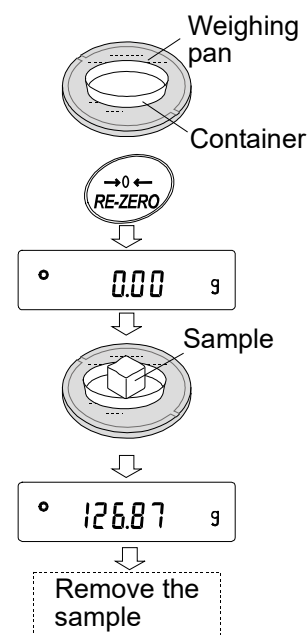
- 4 Remove the sample and container from the pan.

Notes

To use other units, press the **MODE** key and select an appropriate unit.

Press the **SAMPLE** key to turn on or off the minimum weighing value.

When the **ON:OFF** key is pressed with a container placed on the weighing pan, the balance displays **0.00 g** and weighing is started,



6.2. FZ-GD / FX-GD Series Balances

The default setting of the unit of weight for the FZ-GD / FX-GD series balances is grams (g).

To use other units, refer to “5-2 Storing Units” on to store the units.

6.3. Basic Operation (FZ-GD / FX-GD Series Balances)

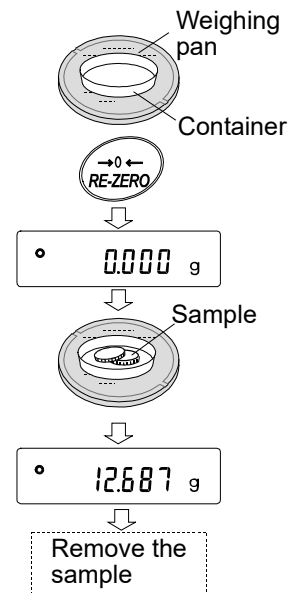
- 1 Place a container on the weighing pan, if necessary.
Press the **RE-ZERO** key to cancel the weight (tare). The balance displays **0.000 g** (The decimal point position depends on the balance model.)
- 2 Place a sample on the pan or in the container.
- 3 Wait for the stabilization indicator to be displayed. Read the value.

While the stabilization indicator is on, pressing the **PRINT** key will output the weight value, using the RS-232C serial interface.

Note

Peripheral equipment, that is sold separately , such as a printer or a personal computer is required.

- 4 Remove the sample and container from the pan.

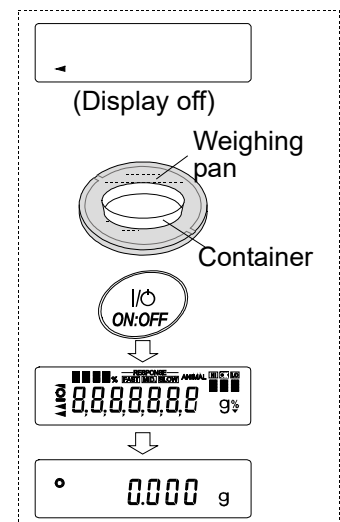


Notes

When other units of weight are stored as described in “9-9 Storing Units”, pressing the **MODE** key switches the displayed unit.

Press the **SAMPLE** key to turn on or off the minimum weighing value.

When the **ON:OFF** key is pressed with a container placed on the weighing pan, the balance displays **0.000 g** and weighing is started,



With the zero point setting, tare and weighing range

About the operation at when power is turned on

The balance will determine the reference zero point when the **ON:OFF** key is pressed to enter the weighing mode.

Depending on the load condition at that time, it will automatically judge whether to perform zero or tare operation. The condition for determining which is used is "power on zero range", and when power on zero range is exceeded, the tare subtraction operation is performed.

About re-zero operation

By pressing the **RE-ZERO** key, the display can be changed to zero.

Re-zero with the **RE-ZERO** key will automatically determine whether zero or tare operation is performed.

The condition for determining which is used is "zero range", and when zero range is exceeded, the tare subtraction operation is performed.

About measurement range

For the balance, the range that can be weighed is determined by model.

The total amount (net amount + tare quantity) up to the maximum display of each model is displayed, and when the maximum display is exceeded, **E** is displayed to indicate that the weighing range is exceeded.

When in excess in negative, **-E** is displayed.

Model	Power on zero range	Zero range	-E display range
FZ-120 <i>i</i> , FX-120 <i>i</i> FZ-120 <i>i</i> WP, FX-120 <i>i</i> WP FZ-120GD, FX-120GD	Approx. ±60g	Approx. ±2g	Approx.-60g or less
FZ-200 <i>i</i> , FX-200 <i>i</i> FZ-200 <i>i</i> WP, FX-200 <i>i</i> WP FZ-200GD, FX-200GD		Approx. ±4g	
FZ-300 <i>i</i> , FX-300 <i>i</i> FZ-300 <i>i</i> WP, FX-300 <i>i</i> WP FZ-300GD, FX-300GD		Approx. ±6g	
FZ-500 <i>i</i> , FX-500 <i>i</i>		Approx. ±10g	
FZ-1200 <i>i</i> , FX-1200 <i>i</i> FZ-1200 <i>i</i> WP, FX-1200 <i>i</i> WP FZ-1200GD, FX-1200GD	Approx. ±600g	Approx. ±20g	Approx.-600g or less
FZ-2000 <i>i</i> , FX-2000 <i>i</i> FZ-2000 <i>i</i> WP, FX-2000 <i>i</i> WP FZ-2000GD, FX-2000GD		Approx. ±40g	
FZ-3000 <i>i</i> , FX-3000 <i>i</i> FZ-3000 <i>i</i> WP, FX-3000 <i>i</i> WP FZ-3000GD, FX-3000GD		Approx. ±60g	
FZ-5000 <i>i</i> , FX-5000 <i>i</i>		Approx. ±100g	

6.4. Counting Mode (PCS)

This is the mode to determine the number of objects in a sample based on the standard sample unit mass. The unit mass means the mass of one piece of the sample. The smaller the variables in each sample unit mass are, the more accurate the counting will be. The balance is equipped with the Automatic Counting Accuracy Improvement (ACAI) function to improve the counting accuracy.

Notes

For counting, use samples with a unit mass of at least ten or more times the minimum weighing value of the balance.

If the sample unit mass variable is too large, it may cause a counting error.

To improve the counting performance, use the ACAI function frequently or divide the samples into several groups and count each group.

Selecting the counting mode

- 1 Press the **MODE** key to select **1PCS** (counting mode).

Storing a sample unit mass

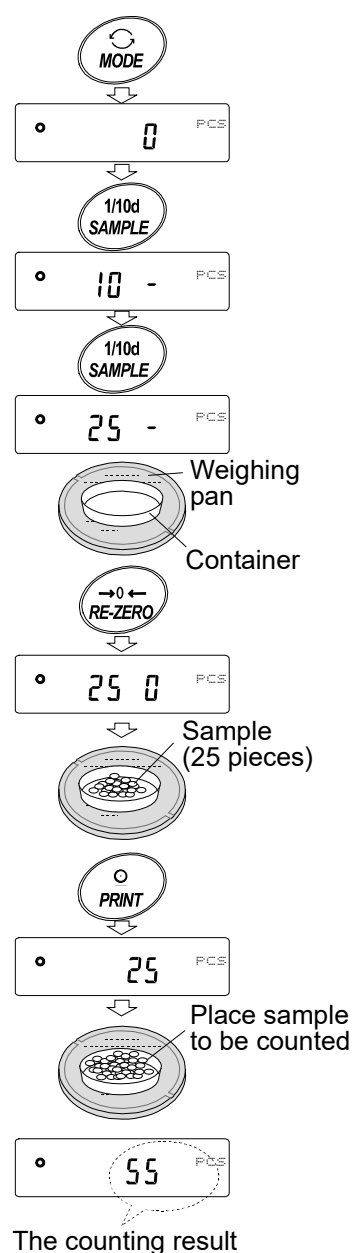
- 2 Press the **SAMPLE** key to enter the sample unit mass storing mode.
Even in the storing mode, pressing the **MODE** key will switch to the next mode.
- 3 To select the number of samples, press the **SAMPLE** key several times. It may be set to 5, 10, 25, 50 or 100.

Note

A greater number of samples will yield more accurate counting result.

- 4 Place a container on the weighing pan, if necessary. Press the **RE-ZERO** key to cancel the weight (tare). The number specified in step 3 appears.
e.g.: **25 0** is displayed if 25 is selected in step 3.
- 5 Place the number of samples specified on the pan. In this example, 25 pieces.
- 6 Wait for the stabilization indicator to turn on. Press the **PRINT** key to calculate and store the unit mass. The balance displays **25 PCS** (counting mode) and is set to count samples with this unit mass.

To improve the accuracy of the unit mass, go to step 8.



Notes

If the balance judges that the mass of the samples is too light and is not adequate to be used as the unit mass, it displays **Lo**. In that case, store the mass by some quantity. For example, when the model with the minimum weighing value of 0.01 g is used and 10 pieces of samples weigh 0.05 g. Store 100 pieces of samples as 10 and multiply the weighing result by 10.

If the balance judges that the mass of the samples is too light to acquire accurate weighing, it displays an error requiring the addition of more samples to the specified number. For example, **150- PCS** appears to require 25 more samples. Add 25 samples and press the **PRINT** key. When the unit mass is stored correctly, the balance proceeds to the counting mode.

For a more accurate counting operation, use samples with a unit mass of at least ten or more times the minimum weighing value of the balance. For example, when a balance with a minimum weighing value of 0.01 g is used, the recommended sample unit mass is 0.1 g or more.

The sample unit mass stored, even if the AC adapter is removed, is maintained in non-volatile memory.

Counting operation

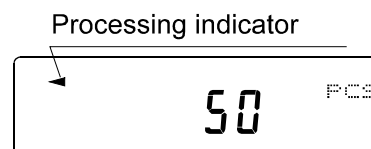
- 7 Place the samples to be counted on the pan.
While the stabilization indicator is on, pressing the **PRINT** key will output the weight value (number of objects), using the RS-232C serial interface.

Note

Peripheral equipment, that is sold separately , such as a printer or a personal computer is required.

Counting mode using the ACAI function

The ACAI is a function that improves the accuracy of the unit mass automatically by increasing the number of samples and averaging the unit mass variable to minimize the weighing error, as the counting process proceeds.



- 8 If a few more samples are added, the processing indicator turns on. To prevent an error, add three or more. The processing indicator does not turn on if overloaded. Try to add the same number of samples as displayed.
- 9 The balance re-calculates the unit mass while the processing indicator is blinking. Do not touch the balance or samples on the pan until the processing indicator turns off.
- 10 Counting accuracy is improved when the processing indicator turns off.
Each time the above operation is performed, a more accurate unit mass will be obtained. There is no definite upper limit of ACAI range for the number of samples exceeding 100. Try to add the same number of samples as displayed.
- 11 Remove all the samples used in ACAI and proceed with the counting operation using the improved unit mass.

6.5. Percent Mode (%)

This is the mode to display the weight value in percentage compared to a 100% reference mass and is used for target weighing or checking the sample variable.

Selecting the percent mode

- 1 Press the **MODE** key to select **%** (percent mode).

Storing the 100% reference mass

- 2 Press the **SAMPLE** key to enter the 100% reference mass storing mode.

Even in the storing mode, pressing the **MODE** key will switch to the next mode.

- 3 Place a container on the weighing pan, if necessary. Press the **RE-ZERO** key to cancel the weight (tare). The balance displays **100 0 %**.
- 4 Place the sample to be set as the 100% reference mass on the pan or in the container.
- 5 Press the **PRINT** key to store the reference mass. The balance displays **10000 %**. (The decimal point position depends on the reference value.)

Notes

If the balance judges that the mass of the sample is too light to be used as a reference, it displays **L0**. Do not use the sample.

The reference mass stored, even if the AC adapter is removed, is maintained in non-volatile memory

- 6 Remove the sample.

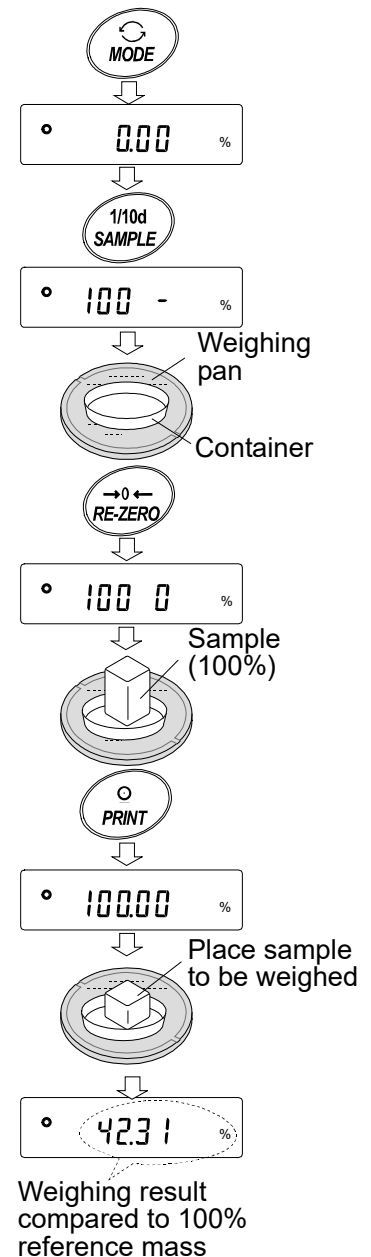
Reading the percentage

- 7 Place a sample to be compared to the reference mass on the pan. The displayed percentage is based on the 100% reference mass.

While the stabilization indicator is on, pressing the **PRINT** key will output the weight value, using the RS-232C serial interface.

Note

Peripheral equipment, that is sold separately, such as a printer or a personal computer is required.



6.6. Statistical Calculation Mode

The statistical calculation mode statistically calculates the weight data, and displays or outputs the results. To use the statistical calculation mode, set the "Application function (RPF)" parameter of "Application (RPF Fnc)" in the function table to "2", as described below.

Statistical items available are number of data, sum, maximum, minimum, range (maximum-minimum), average, standard deviation and coefficient of variation. What statistical items to output can be selected from the four modes in the function table.

- The wrong data input can be canceled by the key operation, if immediately after the input.
- Turning the balance off will delete the statistical data. (The **ON:OFF** key will not initialize the balance.)
- The standard deviation and coefficient of variation are obtained by the equation below:

$$\text{Standard deviation} = \sqrt{\frac{N \cdot \sum (X_i)^2 - (\sum X_i)^2}{N \cdot (N-1)}} \quad \text{where } X_i \text{ is the } i\text{-th weight data,}$$

N is number of data.

$$\text{Coefficient of variation (CV)} = \frac{\text{Standard deviation}}{\text{Average}} \times 100 (\%)$$

$$\text{Relative error of maximum value} = \frac{\text{Maximum value} - \text{Average}}{\text{Average}} \times 100 (\%)$$

$$\text{Relative error of minimum value} = \frac{\text{Minimum value} - \text{Average}}{\text{Average}} \times 100 (\%)$$

6.6.1. Getting Started

Switching to the Statistical Function Mode (Changing The Function Table)

- 1 Press and hold the **SAMPLE** key for 2 seconds until **bR5Fnc** of the function table is displayed, then release the key.

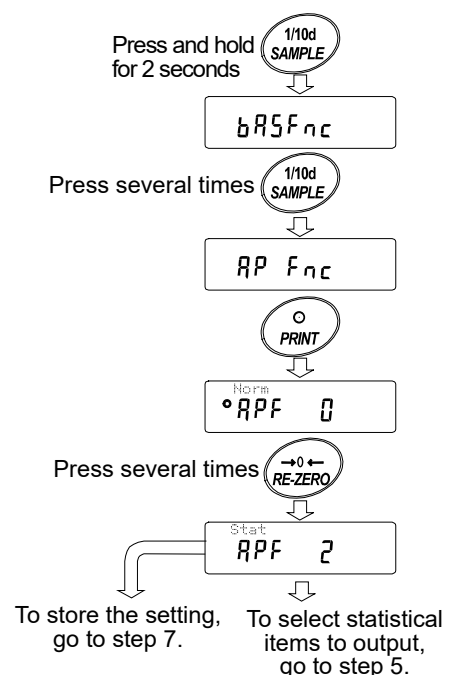
- 2 Press the **SAMPLE** key several times to display **RP Fnc**.

- 3 Press the **PRINT** key to display **RPF 0**.

- 4 Press the **RE-ZERO** key several times to display **RPF 2**.

To select statistical items to output, go to step 5.
To store the statistical function mode setting, go to step 7.

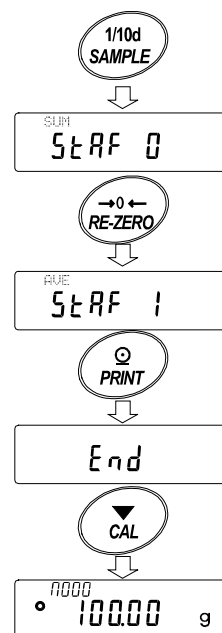
To disable the statistical calculation mode, press the **RE-ZERO** key to select **RPF 0**.



Selecting the statistical items to output

- 5 Press the **SAMPLE** key to display **STAF 0**.
- 6 Press the **RE-ZERO** key to select the output items. In the example, **STAF 1** is selected to output the number of data, sum, maximum, minimum, range (maximum-minimum) and average.

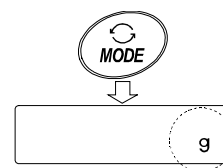
Parameter	Description
0	Number of data, sum
1	Number of data, sum Maximum, minimum, range (maximum – minimum), average
2	Number of data, sum Maximum, minimum, range (maximum – minimum), average, Standard deviation, coefficient of variation
3	Number of data, sum Maximum, minimum, range (maximum – minimum), average, Standard deviation, coefficient of variation Relative error of maximum value, relative error of minimum value



- 7 Press the **PRINT** key to store the setting.
- 8 Press the **CAL** key to return to the weighing mode.

Selecting the unit

- 9 Press the **MODE** key to select the unit to be used for the statistical calculation mode. In the example shown at the right, gram (g) is selected.



Notes

Selecting the unit using the **MODE** key is not available after the data is entered. In this case, clear the data as described on page 27 and select the unit using the **MODE** key.

When the unit used for the statistical calculation mode is to be enabled upon power-on, select the unit in “Unit (Unit)” of the function table beforehand.

6.6.2. Using The Statistical Calculation Mode

Entering data for statistical calculation

Use the following keys to operate the statistical calculation mode.

MODE key▪ When the data is entered, moves between the displaying items (weighing mode, statistical results and data operation) each time the key is pressed.

▪ When no data has been entered, selects the unit.

SAMPLE key Turns the minimum weighing value on or off, in the weighing mode.

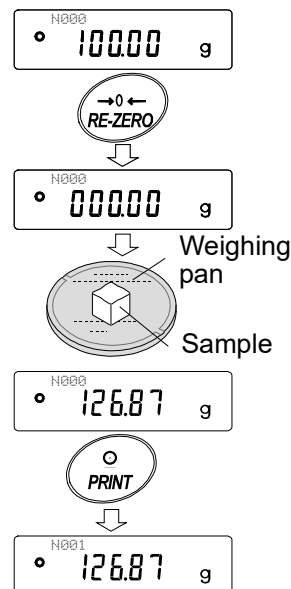
RE-ZERO key Sets the display to zero in the weighing mode.

PRINT key▪ Outputs the data number and the weight data and includes the weight data to statistical calculation in the weighing mode. (Output is not in the data format specified in the function table because of the data number added.)

▪ Outputs the statistical results while the statistical results are displayed. (Output is not in the data format specified in the function table.)

CAL key Returns to the weighing mode.

- 1 Press the **RE-ZERO** key to set the display to zero.
- 2 Place the sample on the weighing pan and wait for the stabilization indicator to turn on.
- 3 Press the **PRINT** key to add the data displayed to statistical calculation. The number of data on the upper left of the display increases by 1.
- 4 Repeat steps 1 to 3 for each weighing.



Outputting the statistical results

- 5 Each time the **MODE** key is pressed, the display changes: the results as selected in “Statistical function mode output items (SEAF)”, **CLEAR** and **CANCEL**.

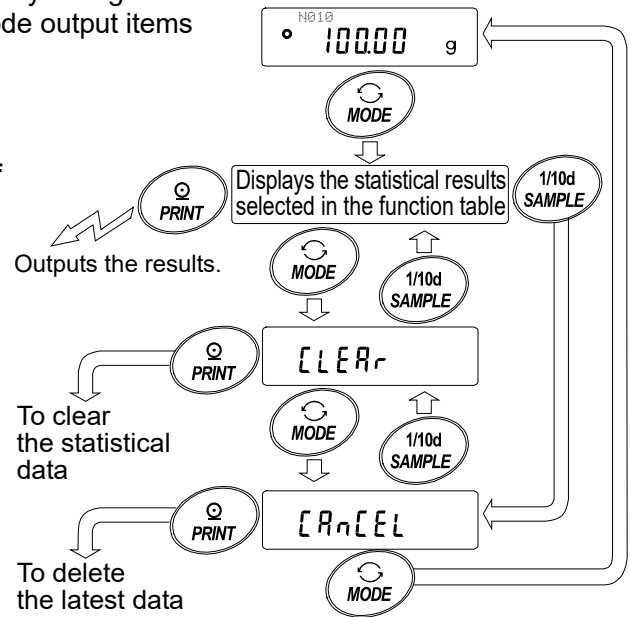
Notes

When the number of data is 1, the coefficient of variation is displayed as **-----**.

When the average is 0, the coefficient of variation / relative error is displayed as **-----**.

Statistical items are indicated on the upper left of the display using the following symbols.

Symbol	Statistical item
SUM	Sum
MAX	Maximum
MIN	Minimum
R	Range (Maximum – minimum)
AVE	Average
SD	Standard deviation
CV	Coefficient of variation
MAX%	Relative error of maximum value
MIN%	Relative error of minimum value



- 6 While the results are displayed, press the **PRINT** key to output the results.

Output example

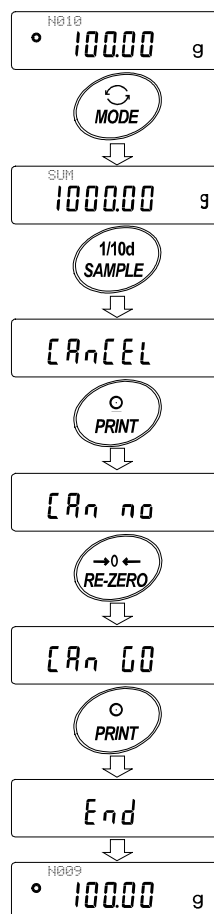
Function table (SEAF) parameter

N	10		
SUM	+100.00 g	0	
MAX	+10.50 g	1	2
MIN	+9.50 g		3
R	+1.00 g		
AVE	+10.00 g		
SD	+0.280 g		
CV	+2.80 %		
MAX%	+5.00 %		
MIN%	+5.00 %		

Deleting the latest data

When the wrong data is entered, it can be deleted and excluded from statistical calculation. Only the latest data can be deleted.

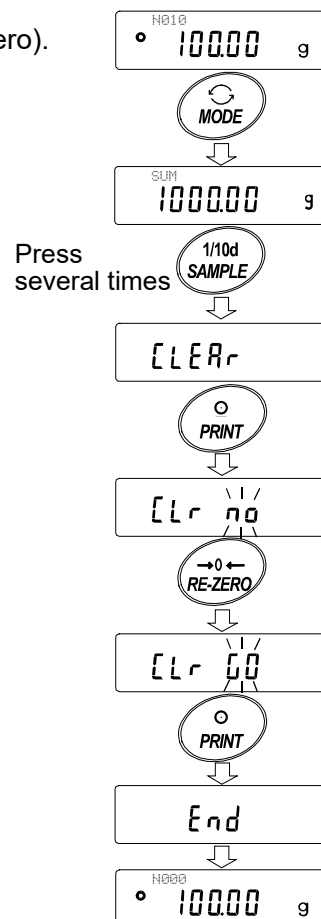
- 1 In the weighing mode, press the **MODE** key, and then press the **SAMPLE** key to display $1[A_n]CEL$.
- 2 Press the **PRINT** key to display $[A_n]no$.
- 3 Press the **RE-ZERO** key to display $[A_n]00$.
- 4 Press the **PRINT** key to delete the latest data and exclude it from statistical calculation. The number of data decreases by 1 when the balance returns to the weighing mode.



Clearing the statistical data

All the statistical data will be deleted and the number of data will be 0 (zero).

- 1 In the weighing mode, press the **MODE** key, and then press the **SAMPLE** key several times to display $[CLR]r$.
- 2 Press the **PRINT** key to display $[CLR]no$.
- 3 Press the **RE-ZERO** key to display $[CLR]00$.
- 4 Press the **PRINT** key to delete the statistical data. The number of data becomes 0 (zero) when the balance returns to the weighing mode.



6.7. Statistical Calculation Mode (Example of Use)

Here, as an example of use of the statistical calculation mode, mixing of the multiple formulae such as medicine is described. The mixing process is recorded using the balance and the printer.

In the example, the FX-3000i and the AD-8127 (dump print mode) are connected using the RS-232C serial interface.

6.7.1. Getting Started

Changing the function table

Changes : •To enable the statistical calculation mode
•To enable “Zero after output”

Enabling the statistical calculation mode

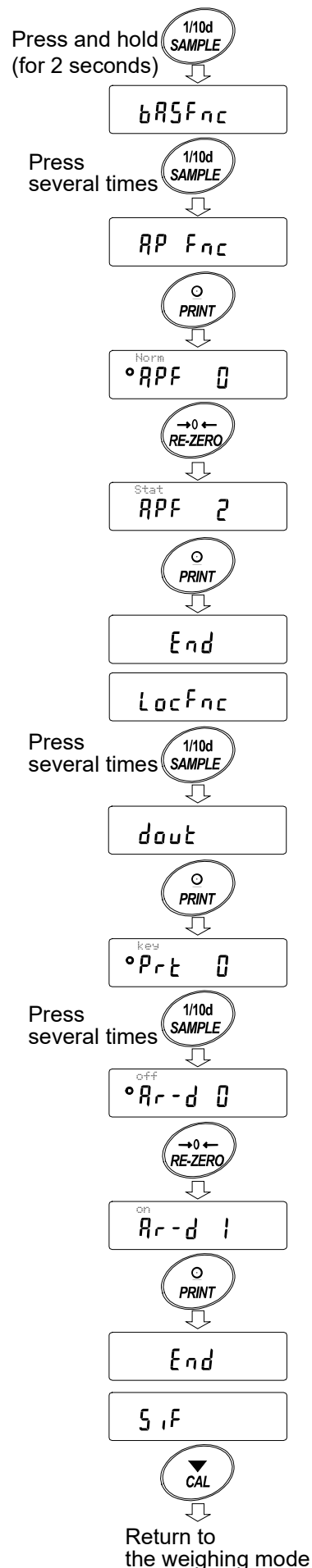
- 1 Enter the function table menu.
Press and hold the **SAMPLE** key until **bRSFnC** of the function table is displayed, then release the key.
- 2 Select the application function.
Press the **SAMPLE** key several times to display **RPFnC**. Then, press the **PRINT** key to display **°RPF 0**.
- 3 Change the application function parameter to “2”.
Press the **RE-ZERO** key to display **RPF 2**. Press the **PRINT** key to confirm the change. After **End**, **LocFnC** is displayed.

Enabling “Zero after output”

- 4 Select “Zero after output”.
Press the **SAMPLE** key several times to display **ldout**. Then, press the **PRINT** key to display **°Prt 0**, and press the **SAMPLE** key several times to display **°Rr-d 0**.
- 5 Enable “Zero after output”.
Press the **RE-ZERO** key to display **Rr-d 1**. Then, press the **PRINT** key to confirm the change. After **End**, **5iF** is displayed.

Returning to the weighing mode

- 6 Press the **CAL** key to return to the weighing mode.

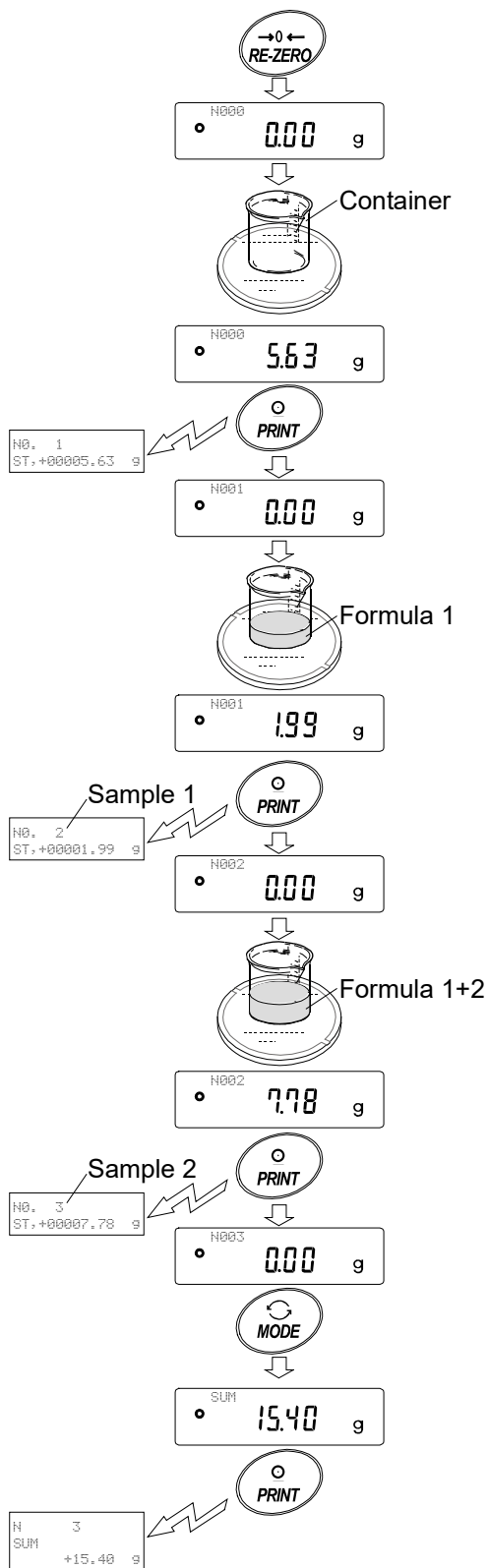


6.7.2. Using The Statistical Calculation Mode

- 1 Press the **RE-ZERO** key to set the display to zero.
- 2 Place a container on the weighing pan.
Press the **PRINT** key to cancel the weight (tare). The balance displays **0.00 g**. (Storing the tare value)
The tare value data is output when the peripheral output equipment is connected.
- 3 Weigh formula 1 and press the **PRINT** key. The balance displays **0.00 g**. (Storing the weight value of formula 1)
The weight value data is output when the peripheral output equipment is connected.
- 4 Weigh formula 2 and press the **PRINT** key. The balance displays **0.00 g**. (Storing the weight value of formula 2)
The weight value data is output when the peripheral output equipment is connected.
- 5 When there are some more formulae to be added, repeat step 4.
- 6 After mixing is complete, press the **MODE** key to display the statistical results.
- 7 Press the **PRINT** key to output the number of data saved including the tare value and the total weight.

Output example

No. 1	ST: +00005.63 g Tare value
No. 2	ST: +00001.99 g Formula 1
No. 3	ST: +00007.78 g Formula 2
N	3	
SUM	+15.40 g Total weight



7. RESPONSE ADJUSTMENT

This function stabilizes the weight value, reducing the influence on weighing that is caused by drafts and vibration at the place where the balance is installed.

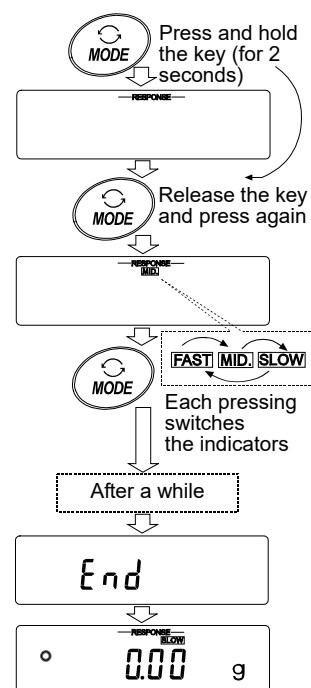
The function has three stages as follows and can be changed by simple key operation.

Indicator	Description
FAST	Fast response, but prone to drafts and vibration. Good for target weighing.
MID.	↕
SLOW	Slow response, but strong against drafts and vibration Good for weighing which requires a stable display.



Operation

- 1 Press and hold the **MODE** key until **RESPONSE** is displayed. And then, release the key.
- 2 Press the **MODE** key to select a rate of the response adjustment. Either **FAST**, **MID.** or **SLOW** can be selected.
- 3 After a few seconds of inactivity, or when the **PRINT** key is pressed, the balance displays **eEnd**. Then, it returns to the weighing mode and displays the updated response indicator. The response indicator remains displayed for a while.



Note

Setting the response rate automatically changes the “Condition (Cond)” and “Display refresh rate (SPd)” parameters of “Environment, Display (bASFnC)” in the function table, as shown below:

Indicator	Cond (Condition)	SPd (Display refresh rate)
FAST	0	2 (20 times/second)
MID.	1	0 (5 times/second)
SLOW	2	0 (5 times/second)

When the balance is to be used with other setting combinations, set each parameter in the function table.

8. CALIBRATION

8.1. Calibration Mode

The balance has the following modes.

- Calibration using the internal mass (One-touch calibration, only for the FZ-*i* /FZ-*i*WP /FZ-GD series)
- Calibration using an external weight
- Calibration test using an external weight (Calibration test does not perform calibration.)

Terms

The following terms are defined as follows:

- External weight = A weight that you have. Referred to as a calibration weight when used for calibration.
- Calibration weight = A weight used for calibration
- Target weight = An external weight used for calibration test

Caution

- Calibration adjusts the balance for accurate weighing.
Besides periodic calibration and before each use, perform calibration when:
 - The balance is installed for the first time.
 - The balance has been moved.
 - The ambient environment has changed.
- Do not allow vibration or drafts to affect the balance during calibration.
- To output the GLP / GMP compliant using the RS-232C serial interface, set “GLP output (*inFo*)” of “Data output (*dout*)”. For details, refer to “10. FUNCTION TABLE”.
- Calibration test is available only when “GLP output (*inFo*)” of “Data output (*dout*)” is set to “1” or “2”.
- When calibrating, use the accessory breeze break. (All models of the FZ-*i* series, FZ-*i*WP series and FZ-GD series, and the 120/200/300 of the FX-*i* series, FX-*i*WP series and FX-GD series (including the 500 for the the FX-*i* series))

Caution on using an external weight

- The accuracy of an external weight will influence the accuracy of weighing. Select an appropriate weight as listed below:

Model				Usable calibration weight (your weight)	Adjustable range
FZ-120 <i>i</i>	FX-120 <i>i</i>	FZ-120 <i>i</i> WP	FX-120 <i>i</i> WP	100g , 50g	-0.050g to +0.050g
FZ-200 <i>i</i>	FX-200 <i>i</i>	FZ-200 <i>i</i> WP	FX-200 <i>i</i> WP	200g , 100g, 50g *1	
FZ-300 <i>i</i>	FX-300 <i>i</i>	FZ-300 <i>i</i> WP	FX-300 <i>i</i> WP	300g, 200g , 100g, 50 *1	
FZ-500 <i>i</i>	FX-500 <i>i</i>			500g , 400g, 300g, 200g 100g, 50g	-0.50g to +0.50g
FZ-1200 <i>i</i>	FX-1200 <i>i</i>	FZ-1200 <i>i</i> WP	FX-1200 <i>i</i> WP	1000g , 500g	
FZ-2000 <i>i</i>	FX-2000 <i>i</i>	FZ-2000 <i>i</i> WP	FX-2000 <i>i</i> WP	2000g , 1000g, 500g *1	
FZ-3000 <i>i</i>	FX-3000 <i>i</i>	FZ-3000 <i>i</i> WP	FX-3000 <i>i</i> WP	3000g, 2000g , 1000g, 500g *1	
FZ-5000 <i>i</i>	FX-5000 <i>i</i>			5000g , 4000g, 3000g, 2000g, 1000g 500g	

The calibration weight in bold type: factory setting

The calibration weight value can be adjusted within the range above.

*1 Can be selected with balance software version 3.10 or later.

Display



- This indicator means “the balance is measuring calibration data”. Do not allow vibration or drafts to affect the balance while this indicator is displayed.

8.2. Calibration Using the Internal mass (One-Touch Calibration, only for FZ-i /FZ-i WP/FZ-GD series)

This function calibrates the balance using the internal mass. The only operation required is to press the **CAL** key. (The FX- i/FX- iWP/FX-GD series do not have the one-touch calibration function.)

Note

Level the balance by adjusting the leveling feet and confirm that the bubble is in the center of the spirit level.

Poor level adjustment may cause a calibration error while using the internal mass.

Operation

- 1 Connect the AC adapter and warm up the balance for at least 30 minutes with nothing on the weighing pan.
- 2 Place the accessory breeze break on the balance and press the **CAL** key.
- 3 The balance displays **CAL in** and performs calibration using the internal mass. Do not allow vibration or drafts to affect the balance.
- 4 The balance displays **End** after calibration. If the “GLP output (*inF0*)” parameter of the function table is set to “1”, “2” or “3”, the balance displays **GLP** and outputs “Calibration Report” using the RS-232C interface or stores the data in memory. For details on the calibration report format, refer to “11.2. GLP Report”.
- 5 The balance will automatically return to the weighing mode after calibration.

About the internal mass

The FZ- i/FZ- iWP/FZ-GD series can readjust the internal weight value using an external weight (your weight) as reference value.

The mass of the internal mass may change due to corrosion or other damage caused by the operating environment, or due to aging. Check the internal mass periodically. Correct the internal mass value as necessary. For details, refer to “8.5. Correcting the internal mass value: 1” and “8-4 Correcting the internal mass value: 2”.

To maintain the weighing accuracy, perform the internal mass value correction periodically.

8.3. Calibration Using an External Weight

This function calibrates the balance using an external weight.

Operation

- 1 Connect the AC adapter and warm up the balance for at least 30 minutes with nothing on the pan.
- 2 Press and hold the **CAL** key until **CALout** is displayed, and then release the key.
- 3 The balance displays **CAL 0**.
 - If you want to change the calibration weight (a list of usable weights is shown on page 31), press the **SAMPLE** key and go to step 4.
 - If you use the calibration weight value stored in the balance, go to step 5.
- 4 Specify the calibration weight value as follows:

SAMPLE key To switch the display condition to: "All of weight selection mode) or "The last two digits blinking" (value adjustment mode).

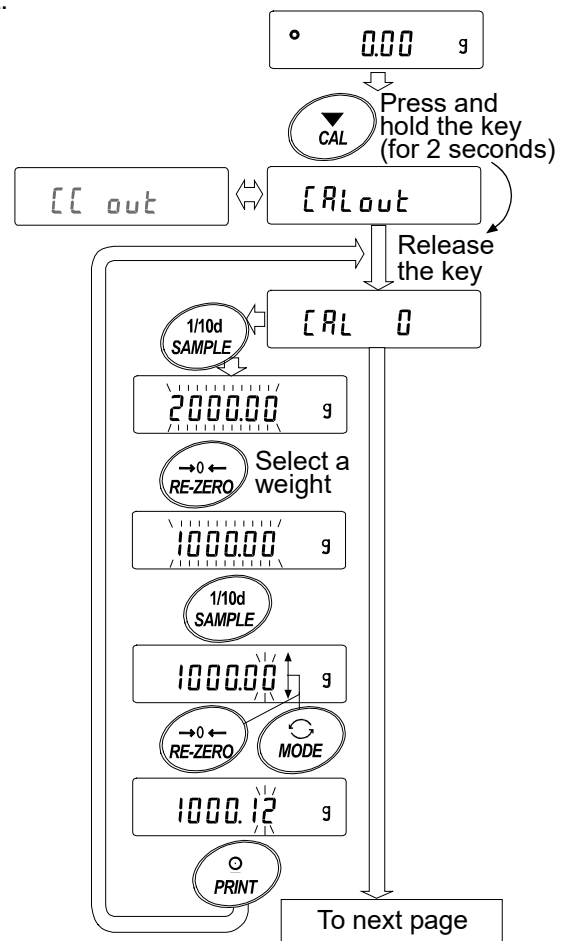
RE-ZERO key (To increase the value)

MODE key (To decrease the value)

To select the calibration weight or adjust the value.

PRINT key To store the new weight value. Even if the AC adapter is removed, the data is maintained in non-volatile memory.

CAL key To cancel the operation and return to **CAL 0**.



e.g. Calibration weight value
1000.12 g

- Confirm that there is nothing on the pan and press the **PRINT** key. The balance measures the zero point. Do not allow vibration or drafts to affect the balance.

The balance displays the calibration weight value.

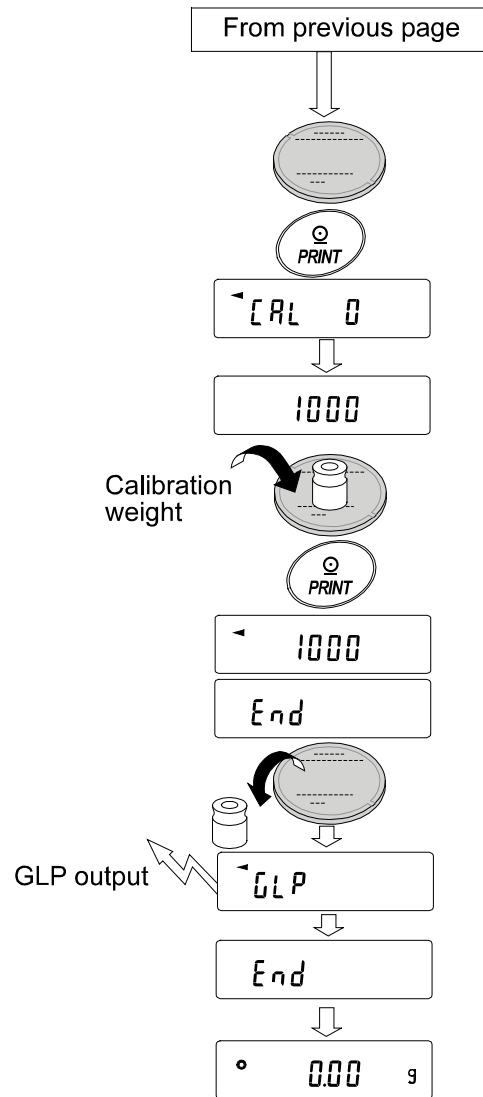
- Place the displayed calibration weight on the pan and press the **PRINT** key. The balance measures the calibration weight. Do not allow vibration or drafts to affect the balance.

- The balance displays **End**. Remove the weight from the pan.

- When the GLP output is set, the balance displays **GLP** and outputs "Calibration Report".

- The balance will automatically return to the weighing mode.

- Place the calibration weight on the pan and confirm that the value displayed is within ± 2 digits of the specified value. If it is not within the range, check the ambient conditions such as drafts and vibration, also check the weighing pan. Then, repeat steps 1 to 9.



8.4. Calibration Test Using an External Weight

This function tests the balance weighing accuracy using an external weight and outputs the result. This is available only when the “GLP output (INF_0)” parameter is set to “1”, “2” or “3”. (Calibration test does not perform calibration.)

Operation

- 1 Connect the AC adapter and warm up the balance for at least 30 minutes with nothing on the pan.
- 2 Press and hold the **CAL** key until **[[out** is displayed, and then release the key.
- 3 The balance displays **[[0**.
 - If you want to change the target weight (a list of usable weights is shown on page 31), press the **SAMPLE** key and go to step 4.
 - If you use the target weight value stored in the balance, go to step 5.
- 4 Specify the target weight value as follows:

SAMPLE key To switch the display condition to: “All of the segments blinking” (target weight selection mode) or “The last two digits blinking” (value adjustment mode).

RE-ZERO key (To increase the value)

MODE key (To decrease the value)

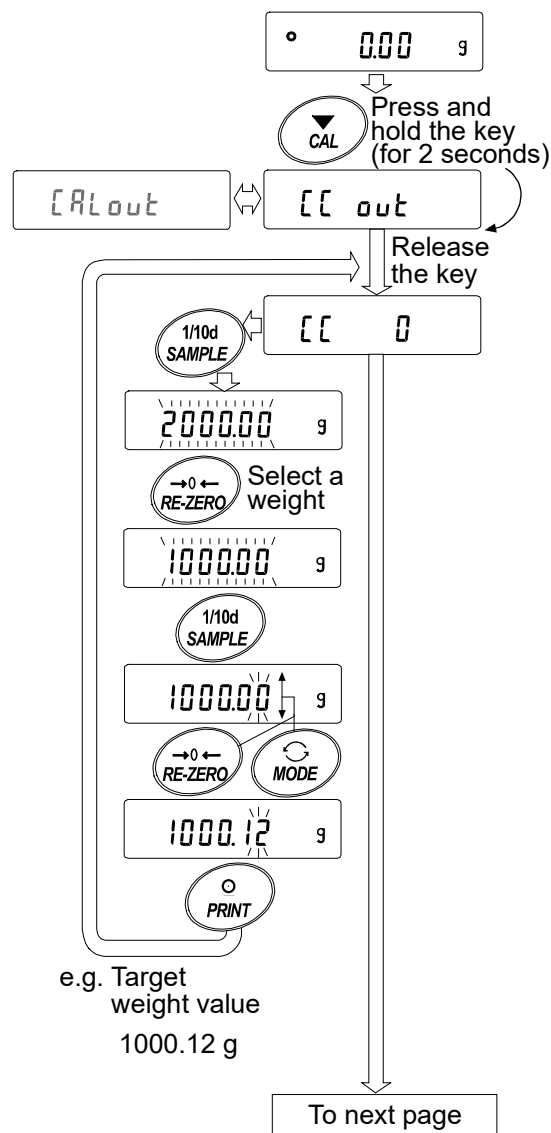
To select the target weight or adjust the value.

PRINT key

To store the new weight value. Even if the AC adapter is removed, the data is maintained in non-volatile memory.

CAL key

To cancel the operation and return to **[[0**.



- Confirm that there is nothing on the pan and press the **PRINT** key. The balance measures the zero point and displays the measured value. Do not allow vibration or drafts to affect the balance.

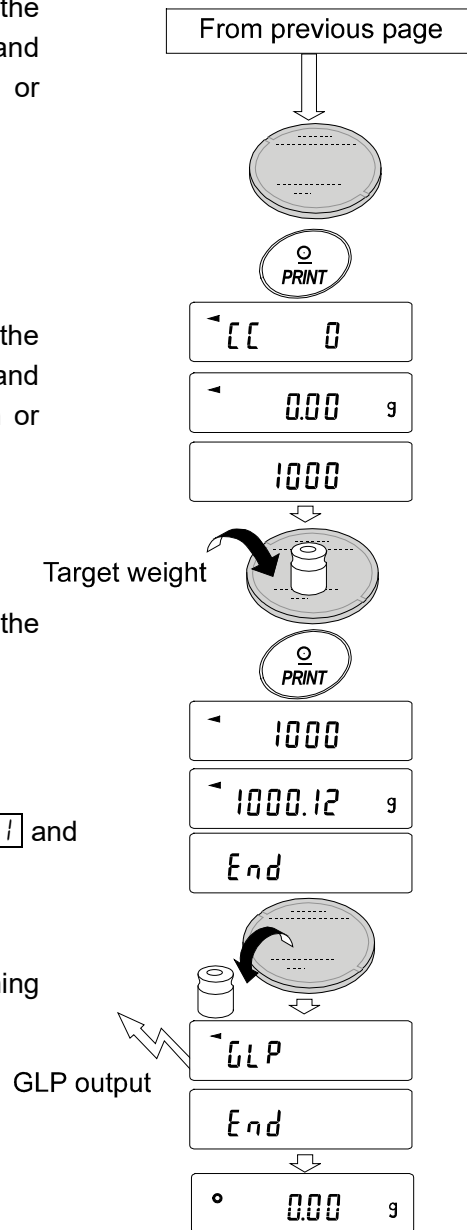
The balance displays the target weight value.

- Place the displayed target weight on the pan and press the **PRINT** key. The balance measures the target weight and displays the measured value. Do not allow vibration or drafts to affect the balance.

- The balance displays **End**. Remove the weight from the pan.

- When the GLP output is set, the balance displays **GLP 1** and outputs "Calibration Test Report".

- The balance will automatically return to the weighing mode.



8.5. Correcting the Internal Mass Value: 1 (Only for FZ-i /FZ-iWP /FZ-GD series)

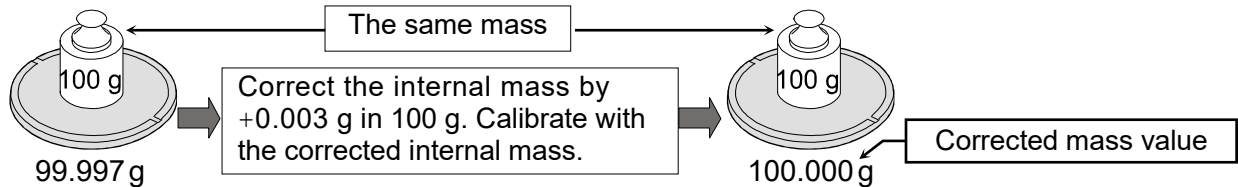
- The FZ-i /FZ-iWP /FZ-GD series balance can correct the internal mass value using an external weight.
Method 1: Calibrate the balance using the internal mass. Measure the external weight. Calculate the correction value. And store it in the balance.
- The adjustable range of the internal mass value is as follows:

Model			Correction reference value	Adjustable range
FZ-120i	FZ-120iWP	FZ-120GD	100g	-0.050 g to +0.050 g
FZ-200i	FZ-200iWP	FZ-200GD	200g	
FZ-300i	FZ-300iWP	FZ-300GD		
FZ-1200i	FZ-1200iWP	FZ-1200GD	1kg	-0.50 g to +0.50 g
FZ-2000i	FZ-2000iWP	FZ-2000GD	2kg	
FZ-3000i	FZ-3000iWP	FZ-3000GD		
FZ-5000i				

Operation

Example : Correcting the weight value by +0.003 g in 100 g using the FZ-120i

If correcting the weight value by +0.003 g in 50 g, use the correction value of +0.006 g as the correction reference value is 100 g..



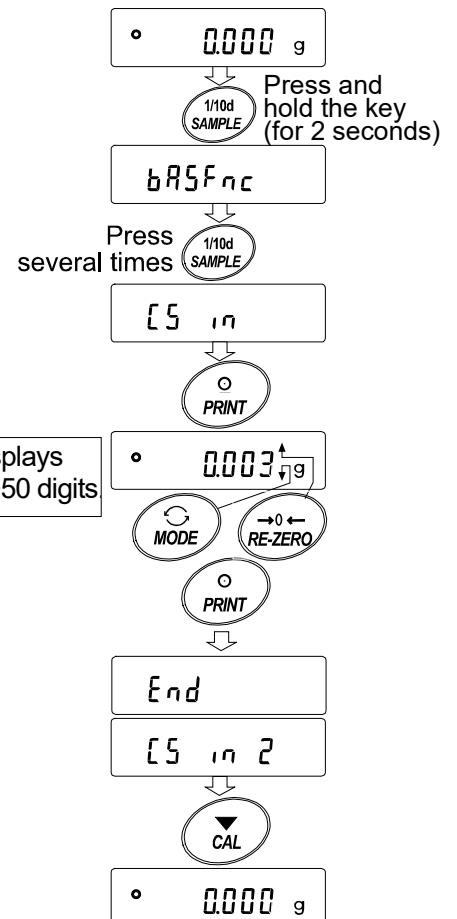
- 1 Perform calibration using the internal mass (one-touch calibration). Place the external weight on the FZ-120i weighing pan to obtain the correction value.
- 2 With the factory setting, the balance can not correct the internal mass value. Refer to "9. FUNCTION SWITCH AND INITIALIZATION" and set the internal mass value correction switch to 1.
- 3 In the weighing mode, press and hold the **SAMPLE** key to display **bRSFnC**..
- 4 Press the **SAMPLE** key several times until **[5 in 1]** is displayed. If **[5 in 1]** is not displayed, perform step 2.
- 5 Press the **PRINT** key.

Correct the internal mass value using the following keys:

- RE-ZERO** key To increase the value by one.
- MODE** key To decrease the value by one.
- PRINT** key To store the correction value and display the next menu item of the function table.

CAL key To cancel the operation and return to the weighing mode.

- 6 Press the **CAL** key to return to the weighing mode.
- 7 Press the **CAL** key to perform calibration using the internal mass.
- 8 Confirm that the internal mass value has been corrected properly by placing the external weight on the weighing pan. If the internal mass value has not been corrected properly, repeat the procedure to adjust the correction value.



8.6. Correcting the Internal Mass Value: 2 (Only for FZ-i /FZ-i WP /FZ-GD series)

- The FZ-i /FZ-iWP /FZ-GD series balance can correct the internal mass value using an external weight.
Method 2: Calibrate the balance using the external weight. The balance performs automatic calibration using the internal mass, corrects the internal mass value and stores it in the balance. The corrected mass value is maintained in non-volatile memory even if the AC adapter is removed.
- The usable calibration weights and the adjustable range are as follows:

Model	Usable calibration weight	Adjustable range
FZ-120i FZ-120iWP FZ-120GD	100 g , 50 g	-0.050 g to +0.050 g
FZ-200i FZ-200iWP FZ-200GD	200 g , 100 g, 50 g *1	
FZ-300i FZ-300iWP FZ-300GD	300 g, 200 g , 100 g, 50 g *1	
FZ-500i	500 g , 400 g, 300 g, 200 g, 100 g, 50 g	-0.50 g to +0.50 g
FZ-1200i FZ-1200iWP FZ-1200GD	1000 g , 500 g	
FZ-2000i FZ-2000iWP FZ-2000GD	2000 g , 1000 g, 500 g *1	
FZ-3000i FZ-3000iWP FZ-3000GD	3000 g, 2000 g , 1000 g, 500 g *1	
FZ-5000i	5000 g , 4000 g, 3000 g, 2000 g, 1000 g, 500 g	

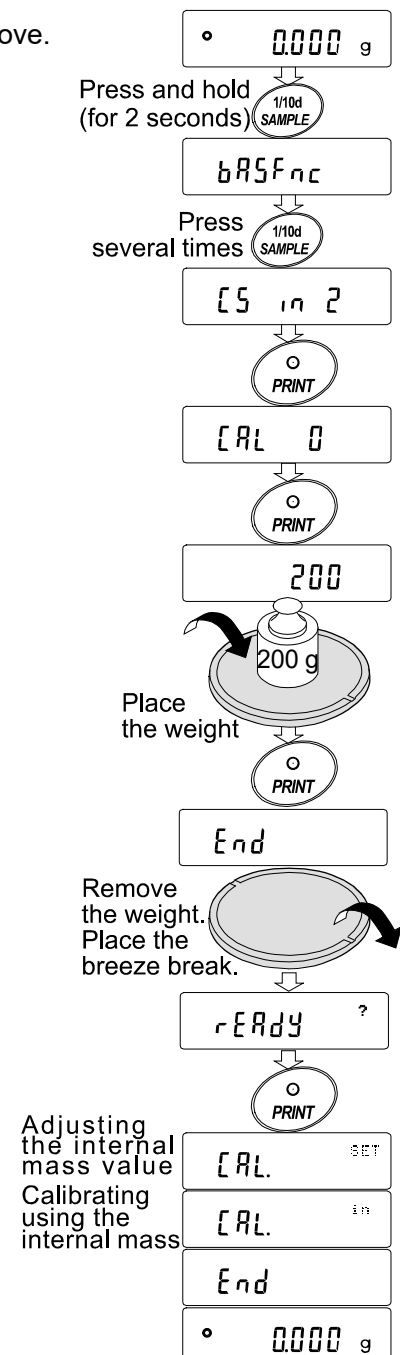
The calibration weight in bold type: factory setting

The calibration weight value can be adjusted within the range above.

*1 Can be selected with balance software version 3.10 or later.

Operation

- With the factory setting, the balance can not correct the internal mass value. Refer to "9. FUNCTION SWITCH AND INITIALIZATION" and set the internal mass value correction switch to 1.
- In the weighing mode, press and hold the **SAMPLE** key to display **bR5FnC**.
- Press the **SAMPLE** key several times until **[5 in 2]** is displayed.
If **[5 in 2]** is not displayed, perform step 1.
- Press the **PRINT** key to display **[CAL 0]**.
Refer to "8-5 Calibration Using an External Weight", to perform the calibration.
- After calibration, **End** is displayed. The balance displays **1rEAdy ?** when the weight is removed.
Place the accessory breeze break on the balance and press the **PRINT** key.
- [CAL SET]** is displayed and the balance corrects the internal mass value automatically
- After correcting the internal mass value, the balance displays **[CAL in]**, and performs the calibration automatically using the corrected internal mass value.
- The balance displays **End** and returns to the weighing mode.
- Confirm that the internal mass value has been corrected properly by placing the external weight used for the correction procedure on the weighing pan.
If the internal mass value has not been corrected properly, repeat the procedure to adjust the correction value.

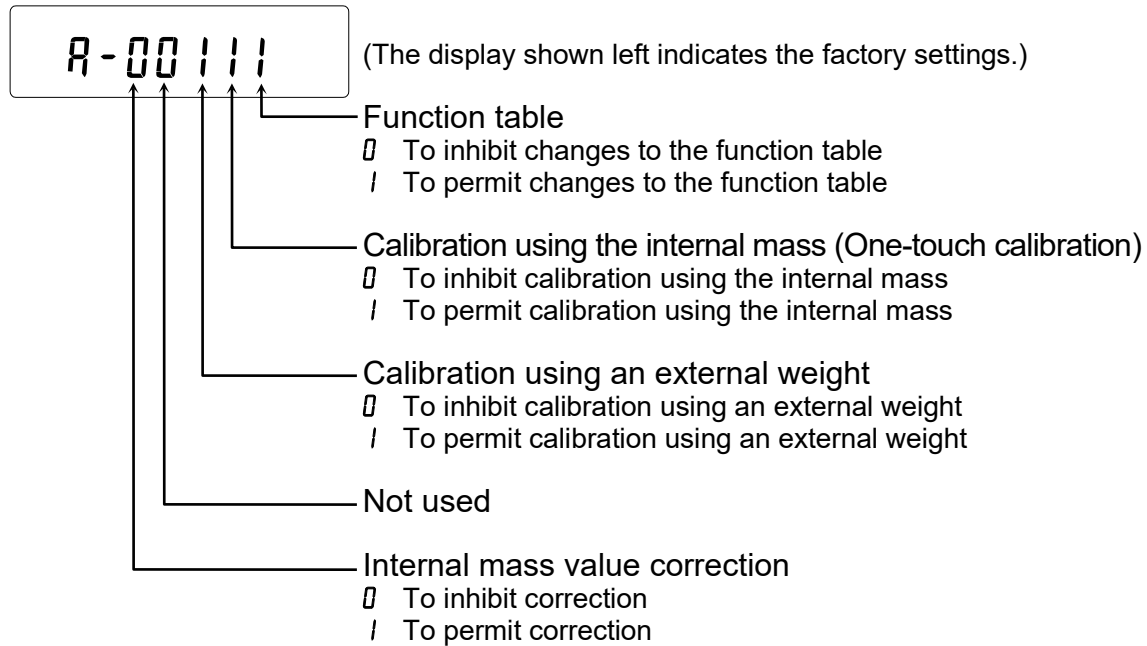


9. FUNCTION SWITCH AND INITIALIZATION

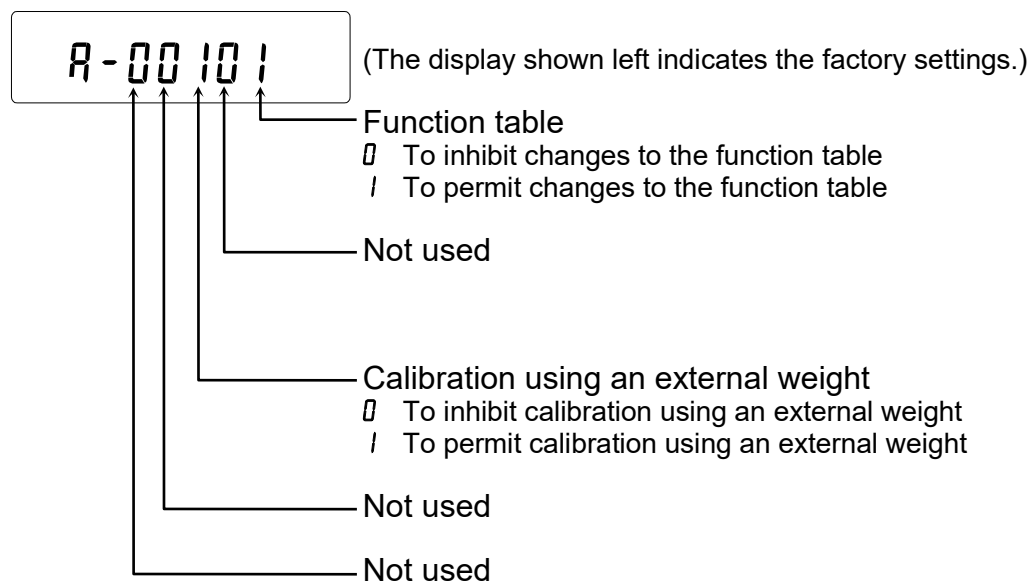
9.1. Permit or Inhibit

The balance stores parameters that must not be changed unintentionally. There are two switches for the purpose of protecting these parameters. Each switch can select either “permit” or “inhibit”. The “inhibit” protects parameters against unintentional operations.

Switches (FZ-i / FZ-iWP / FZ-GD series)



Switches (FX-i / FX-iWP / FX-GD series)



Operation

- 1 Press the **ON:OFF** key to turn off the display.
- 2 While pressing and holding the **PRINT** key and the **SAMPLE** key, press the **ON:OFF** key. The balance displays **P5**.
- 3 Press the **PRINT** key. Then the balance displays the function switches.
- 4 Set the switches using the following keys.

SAMPLE key To select the switch to change the parameter. The selected switch blinks.

RE-ZERO key To change the parameter of the switch selected.

0: To inhibit changes. **1**: To permit changes

PRINT key To store the new parameter and return to the weighing mode.

CAL key To cancel the operation (**ELr** is displayed.) To return to the weighing mode, press the **CAL** key once again.

9.2. Initializing the Balance

This function returns the following parameters to factory settings.

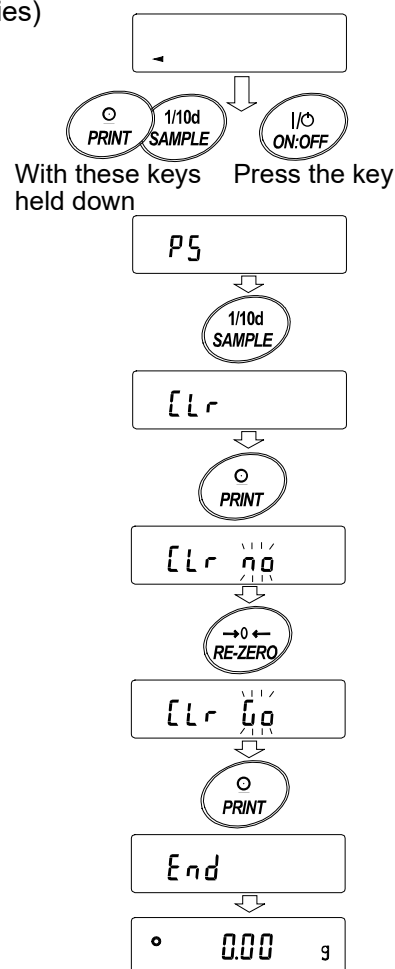
- Calibration data
- Function table
- The sample unit mass value (counting mode), 100% reference mass value (percent mode)
- External calibration weight
- Function switch settings
- Statistical data
- Internal mass value (Only for the FZ-i / FZ-iWP / FZ-GD series)

Note

Be sure to calibrate the balance after initialization.

Operation

- 1 Press the **ON:OFF** key to turn off the display.
- 2 While pressing and holding the **PRINT** key and the **SAMPLE** key, press the **ON:OFF** key. The balance displays **P5**.
- 3 Press the **SAMPLE** key to display **ELr**.
- 4 Press the **PRINT** key to display **ELr 00**.
To cancel this operation, press the **CAL** key.
- 5 Press the **RE-ZERO** key to display **ELr 00**.
- 6 Press the **PRINT** key to initialize the balance.
The balance will automatically return to the weighing mode.



10. FUNCTION TABLE

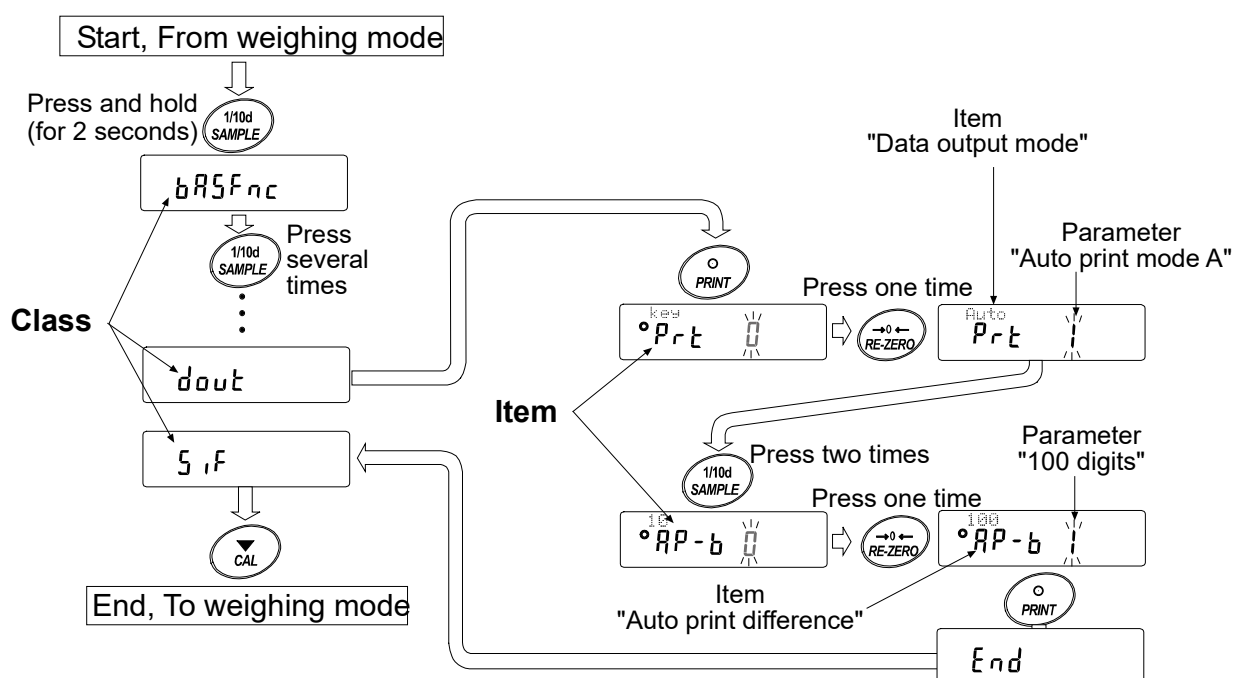
The function table reads or rewrites the parameters that are stored in the balance. These parameters stored, even if the AC adapter is removed, are maintained in non-volatile memory.

10.1. Structure and Sequence of the Function Table

The function table menu consists of two layers. The first layer is the “Class” and the second layer is the “Item”. Each item stores a parameter.

Example

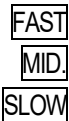
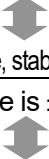
This example sets “Auto print mode A” for “Data output mode” and “100 digits” for “Auto print difference”.



10.2. Display and Keys

Display/Key	Description
	The symbol “○” indicates that the parameter displayed is in effect.
	When pressed and held for 2 seconds in the weighing mode, enters the function table mode. Selects the class or item in the function table mode.
	Changes the parameter.
	When a class is displayed, moves to an item in the class. When an item is displayed, stores the new parameter and displays the next class.
	When an item is displayed, cancels the new parameter and displays the next class. When a class is displayed, exits the function table mode and returns to the weighing mode.

10.3. Details of the Function Table

Class	Item and Parameter		Description	
bRSFnC Environment Display	Cond Condition	0	Fast response, sensitive value	 With "Hold 1", sets the averaging time.
		1		
		2	Slow response, stable value	
	St-b Stability band width	0	Stable range is ±1 digit	 The stabilization indicator illuminates when the display fluctuation is within the range. With "Hold 1", sets the stabilization range.
		1		
		2	Stable range is ±3 digits	
	Hold Hold function	0	OFF	Holds the display when stable in animal mode. With "Hold 1", [ANIMAL] turns on.
		1	ON	
	trc Zero tracking	0	OFF	Keeps zero display by tracking zero drift.
		1	Normal	
		2	Strong	
	SPd Display refresh rate	0	5 times/second	Period to refresh the display
		1	10 times/second	
2		20 times/second		
Pnt Decimal point	0	Point (.)	Decimal point format	
	1	Comma (,)		
P-on Auto display-ON	0	OFF	Turns on the weighing mode display when the AC adapter is connected.	
	1	ON		
P-off Auto display-OFF	0	OFF	Turns off the display after 10 minutes of inactivity.	
	1	ON (10 minutes)		
rnG Display at start	0	Displays	Select whether or not to display the minimum weighing value at weighing start.	
	1	Does not display		
bEEP Beep	0	Does not sound	Select whether or not to sound the beep when operating on keys.	
	1	Sounds		
CL Add* Clock	Refer to "10-9 Clock and calendar function".		Confirms and sets the time and date. The time and date are added to output data.	
CP Fnc Comparator	CP Comparator mode	0	No comparison	
		1	Comparison, excluding "near zero" when stable value or overloaded	
		2	Comparison, including "near zero" when stable value or overloaded	
		3	Continuous comparison, excluding "near zero"	
		4	Continuous comparison, including "near zero"	
	bEP- LO buzzer	0	OFF	
		1	ON	
bEP- OK buzzer	0	OFF		
	1	ON		
bEP- HI buzzer	0	OFF		
	1	ON		

▪: Factory settings. Digit is a unit of minimum weighing value

*: Only for the FZ-i / FZ-iWP / FZ-GD series

Class	Item and Parameter	Description		
$\overline{CP} H_1$ Upper limit		Refer to "10.10. Comparator Function".		
$\overline{CP} L_0$ Lower limit				
<i>dout</i> Data output	P_{r-t} Data output mode	0	Key mode	Accepts the PRINT key only when the display is stable.
		1	Auto print mode A (Reference = zero)	Outputs data when the display is stable and conditions of $RP-P$, $RP-b$ and the reference value are met.
		2	Auto print mode B (Reference = last stable value)	Outputs data continuously.
		3	Stream mode	Outputs data continuously.
		4	Key mode B (Immediately)	Accepts the PRINT key regardless of the display condition.
		5	Key mode C (When stable)	Accepts the PRINT key immediately when the display is stable, or waits for the display to be stable when not.
		6	Interval output mode	Uses interval output mode.
	$RP-P$ Auto print polarity	0	Plus only	Displayed value > Reference
		1	Minus only	Displayed value < Reference
		2	Both	Regardless of displayed value
	$RP-b$ Auto print difference	0	10 digits	Difference between reference value and displayed value
		1	100 digits	
		2	1000 digits	
	int Interval time	0	Every measurement	Interval time for the interval output mode (With P_{r-t} 6)
		1	2 seconds	
		2	5 seconds	
		3	10 seconds	
		4	30 seconds	
		5	1 minute	
		6	2 minute	
		7	5 minute	
	$S-ID$ ID number output	0	No output	Selects whether or not the ID number is output.
		1	Output	
	$S-t-d*$ Time/Date output	0	No output	
		1	Time only	
		2	Date only	
		3	Time and date	
	$PUSE$ Data output pause	0	No pause	Selects the data output interval.
		1	Pause (1.6 seconds)	
	$RF-F$ Auto feed	0	Not used	Selects whether or not automatic feed is performed.
		1	Used	
	inf_0 GLP output	0	No output	Selects GLP output method.
		1	AD-8121 format	
		2	General data format (output time and date using the built-in clock)	
		3	General data format (output time and date using the clock of the external equipment)	
	$Rr-d$ Zero after output	0	Not used	Adjusts zero automatically after data is output
1		Used		

▪ Factory settings. Digit is a unit of minimum weighing value

* : Only for the FZ-i /FZ-iWP /FZ-GD series

Class	Item and Parameter		Description		
SIF Serial interface	bPS Baud rate	0	600 bps		
		1	1200 bps		
		2	2400 bps		
		3	4800 bps		
		4	9600 bps		
		5	19200 bps		
	bPr Data bit, parity bit	0	7 bits, even		
		1	7 bits, odd		
		2	8 bits, none		
	CrLF Terminator	0	CR LF	CR: ASCII code 0Dh LF: ASCII code 0Ah	
		1	CR		
	tYPE Data format	0	0	A&D standard format	Refer to "10.6. Description of the Item "Data Format"".
1			DP format		
2			KF format		
3			MT format		
4			NU format		
5			CSV format		
t-UP Timeout	0	0	No limit	Selects the wait time to receive a command.	
		1	1 second		
ErEd AK, Error code	0	0	No output	AK:ASCII code 06h	
		1	Output		
nLt Programmable-unit (Multi-unit)		Sets an arbitrary coefficient.		Available only when programmable- unit mode is selected.	
Unit		Refer to "5. WEIGHING UNITS".			
id ID number		Refer to "11. ID NUMBER AND GLP REPORT"			
APP Fnc Application	APP Application function	0	Normal weighing mode		
		1	Capacity indicator		
		2	Statistical calculation mode		
	StAF Statistical function mode output items	0	0	Number of data, sum	
			1	Number of data, sum, maximum, minimum, average, range (maximum-minimum)	
			2	Number of data, sum, maximum, minimum, average, range (maximum-minimum), standard deviation, coefficient of variation	
		3	Number of data, sum, maximum, minimum, average, range (maximum-minimum), standard deviation, coefficient of variation, relative error		
LocFnc	PASS	0	OFF	Refer to "14. PASSWORD LOCK FUNCTION".	
		1	ON (limits weighing operations)		
		2	ON (enables basic weighing)		
	Loc no	AdmIN	Administrator password input		
		USEr01	User 1 password input		
		USEr10	User 10 password input		

* : Only for the FZ-i /FZ-iWP /FZ-GD series ▪ : Factory settings.

Class	Description	
ES in 1 *	EEEr to "8. CALIBRATION".	Displayed only when the function switch (internal mass value correction switch) is set to 1.
Internal mass value correction: Method 1		
ES in 2 *		
Internal mass value correction: Method 2		

* : Only for the FZ-i /FZ-iWP /FZ-GD series ▪ : Factory settings.

Caution

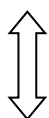
The balance may not transmit the data completely at the specified refresh rate, depending on the baud rate.

When a refresh rate of 20 times/second is used, set the baud rate to 4800 bps or higher.

10.4. Description of the Class "Environment, Display"

Condition (Cond)

Cond 0



Cond 2

This parameter is for sensitive response to the fluctuation of a weight value. Used for powder target weighing, weighing a very light sample or when quick response weighing is required.

After setting, the balance displays **FAST**.

This parameter is for stable weighing with slow response. Used to prevent a weight value from drifting due to vibration or drafts.

After setting, the balance displays **SLOW**.

Note

With "Hold function (Hold)" set to "ON (1)", this item is used to set the averaging time.

Stability band width (St-b)

This item controls the width to regard a weight value as a stable value. When the fluctuation per second is less than the parameter, the balance displays the stabilization indicator and outputs the data.

The parameter influences the "Auto print mode"

St-b 0



St-b 2

This parameter is for sensitive response of the stabilization indicator. Used for exact weighing.

This parameter ignores slight fluctuation of a weight value. Used to prevent a weight value from drifting due to vibration or drafts.

Note

With "Hold function (Hold)" set to "ON (1)", this item is used to set the stabilization range.

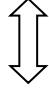
Hold function (Hold) (Animal weighing mode)

This function is used to weigh a moving object such as an animal.

When the weight data is over the weighing range from zero and the display fluctuation is within the stabilization range for a fixed period of averaging time, the processing indicator illuminates and the balance displays the average weight of the animal. When the animal is removed from the weighing pan, the display returns to zero automatically.

This function is available only when the hold function parameter is set to "1" (the animal mode indicator **ANIMAL** illuminates) and any weighing unit other than the counting mode is selected.

The stabilization range and averaging time are set in "Condition (Cond)" and "Stability band width (St-b)".

Weighing range				Averaging time		Stabilization range	
FZ series	120 <i>i</i>	120 <i>i</i> WP	120GD	0.200g or over	2 seconds Faster	5 <i>t-b 0</i>	Lesser 6.25%
	200 <i>i</i>	200 <i>i</i> WP	200GD				
	300 <i>i</i>	300 <i>i</i> WP	300GD				
	500 <i>i</i>						
FX series	120 <i>i</i>	120 <i>i</i> WP	120GD	2.00g or over	4 seconds 	5 <i>t-b 1</i>	12.5%
	200 <i>i</i>	200 <i>i</i> WP	200GD				
	300 <i>i</i>	300 <i>i</i> WP	300GD				
	500 <i>i</i>						
FZ series	1200 <i>i</i>	1200 <i>i</i> WP	1200GD	2.00g or over	8 seconds More accurate	5 <i>t-b 2</i>	Greater 16.7%
	2000 <i>i</i>	2000 <i>i</i> WP	2000GD				
	3000 <i>i</i>	3000 <i>i</i> WP	3000GD				
	5000 <i>i</i>						
FX series	1200 <i>i</i>	1200 <i>i</i> WP	1200GD	2.00g or over	8 seconds More accurate	5 <i>t-b 2</i>	Greater 16.7%
	2000 <i>i</i>	2000 <i>i</i> WP	2000GD				
	3000 <i>i</i>	3000 <i>i</i> WP	3000GD				
	5000 <i>i</i>						

Zero tracking (*t_{rc}*)

This function tracks zero point drift caused by changes in the environment and stabilizes the zero point. When the weight data is only a few digits, turn the function off for accurate weighing.

Note

Digit indicates a unit of minimum weighing value.

<i>t_{rc} 0</i>	The tracking function is not used. Used for weighing a very light sample.
<i>t_{rc} 1</i>	The tracking function is used. Normal zero tracking.
<i>t_{rc} 2</i>	The tracking function is used. Strong zero tracking.
<i>t_{rc} 3</i>	The tracking function is used. Very strong zero tracking.

Display refresh rate (*5*Pd**)

Period to refresh the display. This parameter influences “Stream mode” along with “Baud rate” and “Data output pause”

Note

This item is selected automatically when the response rate is changed.

Decimal point (*P_{nt}*)

The decimal point format can be selected.

Auto display-ON (*P-_{on}*)

When the AC adapter is connected, the display is automatically turned on in the weighing mode, without the ON:OFF key operation. Used when the balance is built into an automated system.

30-minute warm up is necessary for accurate weighing.

Auto display-OFF (*P_{oFF}*)

When the AC adapter is connected and no operation is performed (inactivity state) for 10 minutes, the display is automatically turned off and the standby indicator is illuminated.

10.5. Description of the Item “Data Output Mode”

The parameter setting of the “Data output mode (*Pr t*)” applies to the performance when the data is transmitted using the RS-232C serial interface.

Key mode

When the **PRINT** key is pressed with the stabilization indicator turned on, the balance outputs the weight data and the display blinks one time.

Required setting	<i>dout</i>	<i>Pr t</i> 0	Key mode
------------------	-------------	---------------	----------

Auto print modes A and B

When the displayed value is stable and the conditions of “Auto print polarity”, “Auto print difference” and reference value are met, the balance outputs the weight data.

When the **PRINT** key is pressed with the stabilization indicator turned on, the balance outputs the data and the display blinks one time.

Mode A: Example “For outputting the weight value each time a sample is added, with “*Pr -d*” set to “1” (to adjust zero after the data is output).”

Required setting	<i>dout</i>	<i>Pr t</i> 1	Auto print mode A (reference = zero)
	<i>dout</i>	<i>AP-P</i>	Auto print polarity
	<i>dout</i>	<i>AP-b</i>	Auto print difference
	<i>dout</i>	<i>Pr-d</i> 1	Auto re-zero

Mode B: Example “For outputting the weight value while a sample is added.”

Required setting	<i>dout</i>	<i>Pr t</i> 2	Auto print mode B (reference = last stable value)
	<i>dout</i>	<i>AP-P</i>	Auto print polarity
	<i>dout</i>	<i>AP-b</i>	Auto print difference

Stream mode

The balance outputs the weight data continuously regardless of the display condition. The display does not blink in this mode.

Example	“For monitoring data on a computer”		
---------	-------------------------------------	--	--

With the FZ-GD / FX-GD series, always display weighing values using the AD-8920A remote display.

Required setting	<i>dout</i>	<i>Pr t</i> 3	Stream mode
	<i>bRSFnc</i>	<i>SPd</i>	Display refresh rate
	<i>S iF</i>	<i>bPS</i>	Baud rate

Caution

The balance may not transmit the data completely at the specified refresh rate and baud rate. Set the baud rate higher.

Key mode B

When the **PRINT** key is pressed, the balance outputs the weight data, regardless of the display condition. The display does not blink in this mode.

Required setting	<i>dout</i>	<i>Pr t</i> 4	Key mode B (Immediately)
------------------	-------------	---------------	--------------------------

Key mode C

When the **PRINT** key is pressed with the stabilization indicator turned on, the balance outputs the weight data. When the stabilization indicator is not on, the balance waits for the indicator to turn on and outputs the data. The balance blinks one time in this mode.

Required setting	<i>dout</i>	<i>Pr t</i> 5	Key mode C (When stable)
------------------	-------------	---------------	--------------------------

Interval output mode

The weight data is periodically output.

When the **PRINT** key is pressed, the balance starts to output the weight data at a preset interval time.

When the **PRINT** key is pressed again, the balance stops outputting the weight data.

Example	"For outputting the weight data periodically."		
Required setting	<i>dout</i>	<i>Pr t 6</i>	Interval output mode
	<i>dout</i>	<i>int</i>	Interval time

Caution

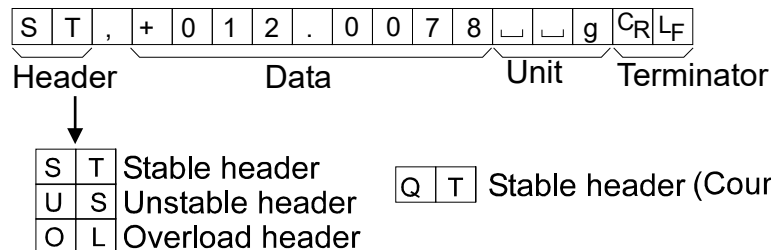
The balance may not transmit the data completely at the specified interval times and baud rate. Set the baud rate higher.

10.6. Description of the Item "Data Format"

A&D standard format *S, F TYPE 0*

This format is used when the peripheral equipment can receive the A&D format. If an AD-8127 printer is used, set the printer to MODE 1 or 2.

- This format consists of fifteen characters excluding the terminator.
- A header of two characters indicates the balance condition.
- The polarity sign is placed before the data with the leading zeros. If the data is zero, the plus sign is used.
- The unit, consisting of three characters, follows the data.
- Output example:



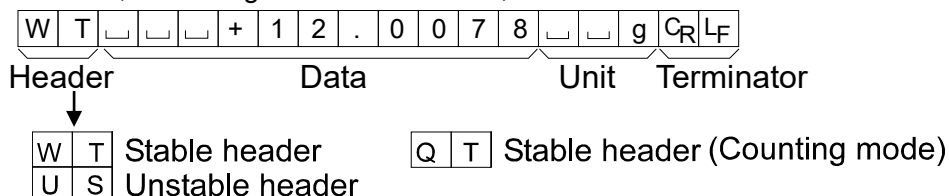
- Print example:
- | | | | | | | | | | | | | | | | | | |
|--------|---|------|---|---|---|---|---|---|---|---|---|---|---|------------------------------|---|----------------|----------------|
| W | T | _ | _ | _ | + | 1 | 2 | . | 0 | 0 | 7 | 8 | _ | _ | g | C _R | L _F |
| Header | | Data | | | | | | | | | | Unit | | Terminator | | | |
| ↓ | | | | | | | | | | | | | | | | | |
| W | T | | | | | | | | | | | Q | | T | | | |
| | | | | | | | | | | | | Header for modes other than the counting mode | | Header for the counting mode | | | |

DP (Dump print) format *S, F TYPE 1*

This format is suitable for the peripheral equipment that prints the received data as is.

When an AD-8127 printer is used, set the printer to MODE 3.

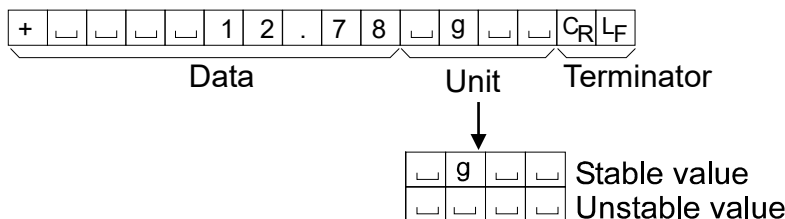
- This format consists of sixteen characters excluding the terminator.
- A header of two characters indicates the balance condition. No overload header is used.
- The polarity sign is placed before the data, with spaces in place of leading zeros, if the data is not zero or overloaded.
- The unit, consisting of three characters, follows the data.



KF format 5,IF TYPE 2

This is the Karl-Fischer moisture meter format and is used when the peripheral equipment can only communicate using this format.

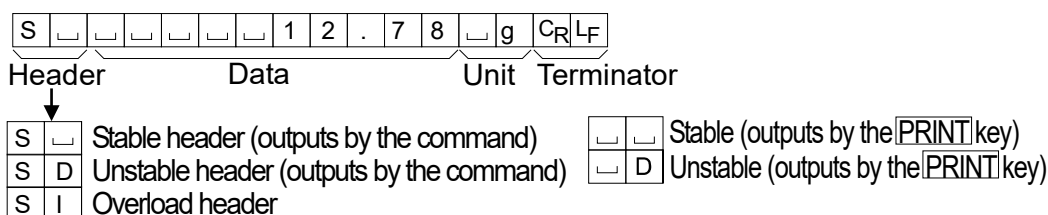
- This format consists of fourteen characters excluding the terminator.
- This format has no header characters.
- The polarity sign is placed before the data, with spaces in place of leading zeros, if the data is not zero or overloaded.
- This format outputs the unit only for a stable value.



MT format 5,IF TYPE 3

This format is used when the peripheral equipment of other manufacturer is connected. Please note that the connection is not guaranteed.

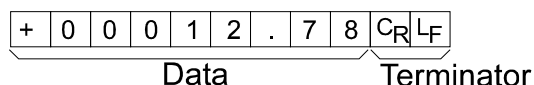
- A header of two characters indicates the balance condition.
- The polarity sign is used only for negative data.
- The weight data uses spaces in place of the leading zeros.
- The character length of this format changes dependent upon the unit



NU (numerical) format 5,IF TYPE 4

This format outputs only numerical data.

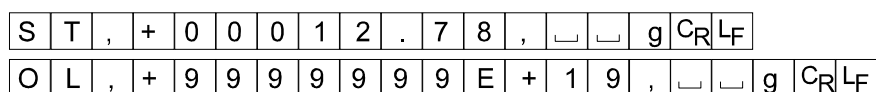
- This format consists of nine characters excluding the terminator.
- The polarity sign is placed before the data with the leading zeros. If the data is zero, the plus sign is used.



CSV format 5,IF TYPE 5

- Separates the data of A&D standard format and the unit by a comma (,).
- Outputs the unit even when the data is overloaded.

ST,+00012.78, g<CR><LF>
 Weight data



ID number *dout 5-td 1 or 3*

- This is the identification number for the balance, and it is fixed to 7 digits.

L	A	B	-	1	2	3	C _R	L _F
---	---	---	---	---	---	---	----------------	----------------

Date *dout 5-td 2 or 3*

- The date output order can be changed in "Clock (CL Add)".
- The year is output in a four-digit format.

1	2	/	3	1	/	2	0	1	0	C _R	L _F
---	---	---	---	---	---	---	---	---	---	----------------	----------------

Time *dout 5-td 1 or 3*

- The time is output in a 24-hour format.

1	2	:	3	4	:	5	6	C _R	L _F
---	---	---	---	---	---	---	---	----------------	----------------

10.7. Data Format Examples

Stable

°	127	g
---	-----	---

A&D	S	T	,	+	0	0	0	0	1	.	2	7	␣	␣	g	C _R	L _F	
DP	W	T	␣	␣	␣	␣	␣	␣	+	1	.	2	7	␣	␣	g	C _R	L _F
KF	+	␣	␣	␣	␣	␣	1	.	2	7	␣	g	␣	␣	C _R	L _F		
MT	␣	␣	␣	␣	␣	␣	␣	1	.	2	7	␣	g	C _R	L _F			
NU	+	0	0	0	0	1	.	2	7	C _R	L _F							

Unstable

-18369	g
--------	---

A&D	U	S	,	-	0	0	1	8	3	.	6	9	␣	␣	g	C _R	L _F	
DP	U	S	␣	␣	␣	␣	-	1	8	3	.	6	9	␣	␣	g	C _R	L _F
KF	-	␣	␣	␣	1	8	3	.	6	9	␣	␣	␣	␣	C _R	L _F		
MT	S	D	␣	␣	␣	-	1	8	3	.	6	9	␣	g	C _R	L _F		
NU	-	0	0	1	8	3	.	6	9	C _R	L _F							

Overload
Positive error

E	g
---	---

A&D	O	L	,	+	9	9	9	9	9	9	9	E	+	1	9	C _R	L _F
DP	␣	␣	␣	␣	␣	␣	␣	␣	␣	E	␣	␣	␣	␣	␣	C _R	L _F
KF	␣	␣	␣	␣	␣	␣	H	␣	␣	␣	␣	␣	␣	␣	C _R	L _F	
MT	S	I	+	C _R	L _F												
NU	+	9	9	9	9	9	9	9	9	C _R	L _F						

Overload
Negative error

-E	g
----	---

A&D	O	L	,	-	9	9	9	9	9	9	E	+	1	9	C _R	L _F	
DP	␣	␣	␣	␣	␣	␣	-	E	␣	␣	␣	␣	␣	␣	C _R	L _F	
KF	␣	␣	␣	␣	␣	␣	L	␣	␣	␣	␣	␣	␣	␣	C _R	L _F	
MT	S	I	-	C _R	L _F												
NU	-	9	9	9	9	9	9	9	9	C _R	L _F						

- ␣ Space, ASCII 20h
- C_R Carriage Return, ASCII 0Dh
- L_F Line Feed, ASCII 0Ah

Units		A&D	D.P.	KF	MT
g	g	┌┌g	┌┌g	┌g┌┌	┌g
Counting mode	PCS	┌P┌C	┌P┌C	┌p┌c┌s	┌P┌C┌S
Precent mode	%	┌┌%	┌┌%	┌%┌┌	┌%
Ounce (Avoir)	oz	┌o┌z	┌o┌z	┌o┌z┌	┌o┌z
Pound	lb	┌l┌b	┌l┌b	┌l┌b┌	┌l┌b
Pound Ounce	┌oz	┌o┌z	┌o┌z	┌o┌z┌	┌o┌z
Troy Ounce	ozt	o┌z┌t	o┌z┌t	┌o┌z┌t	┌o┌z┌t
Metric Carat	ct	┌c┌t	┌c┌t	┌c┌t┌	┌c┌t
Momme	mom	m┌o┌m	m┌o┌m	┌m┌o┌m	┌m┌o
Pennyweight	dwt	d┌w┌t	d┌w┌t	┌d┌w┌t	┌d┌w┌t
Grain	GN	┌G┌N	┌G┌N	┌g┌r┌	┌GN
Tael (HK general, Singapore)	tl	┌t┌l	┌t┌l	┌t┌l┌s	┌t┌l
Tael (HK, jewelry)	tl	┌t┌l	┌t┌l	┌t┌l┌h	┌t┌l
Tael (Taiwan)	tl	┌t┌l	┌t┌l	┌t┌l┌t	┌t┌l
Tael (China)	tl	┌t┌l	┌t┌l	┌t┌l┌c	┌t┌l
Tola (India)	tol	┌┌t	┌┌t	┌t┌o┌l	┌t
tmr (India)	tol	t┌o┌l	t┌o┌l	┌t┌o┌l	┌t
Messghal	mes	m┌e┌s	m┌e┌s	┌M┌S┌	┌m
Newton	N	┌┌N	┌┌N	┌N┌┌	┌N
Multi	MLT	M┌L┌T	M┌L┌T	┌M┌L┌T	┌M┌L┌T

┌ Space, ASCII 20h

Note

When “Pound Ounce” is selected, the data is output with the unit of ounce (oz).

10.8. Description of the Item “Application Function”

Capacity indicator (APF 1)

In the weighing mode, the indicator displays the weight data relative to the weighing capacity in percentage. (Zero = 0%, maximum capacity = 100%)

Statistical calculation mode (APF 2)

The mode statistically calculates the weight data, and displays or outputs the results. For details, refer to “6.6. Statistical Calculation Mode”.

10.9. Clock and Calendar Function (Only for FZ-i / FZ-i WP / FZ-GD series)

The FZ-i / FZ-i WP / FZ-GD series balance is equipped with a clock and calendar function. When the “GLP output (GLP)” parameter is set to “1” or “2” and the “Time/Date output (S-Ld)” parameter is set to “1”, “2” or “3”, the time and date are added to the output data. Set or confirm the time and date as follows:

Note

Time and date cannot be confirmed and set with the FX-i / FX-iWP / FX-GD series.

Operation

- 1 Press and hold the **SAMPLE** key until **bR5Fnc** of the function table is displayed.
- 2 Press the **SAMPLE** key several times to display **CL Adj.**
- 3 Press the **PRINT** key. The balance enters the mode to confirm or set the time and date.

Confirming the date

- 4 The current date is displayed with all the digits blinking.
 - When the date is correct and the operation is to be finished, press the **CAL** key and go to step 8.
 - When the date is correct and the time is to be confirmed, press the **SAMPLE** key and go to step 6.
 - When the date is not correct and is to be changed, press the **RE-ZERO** key and go to step 5.

Note

The year is expressed using a two-digit format. For example, the year 2010 is expressed as “10”.

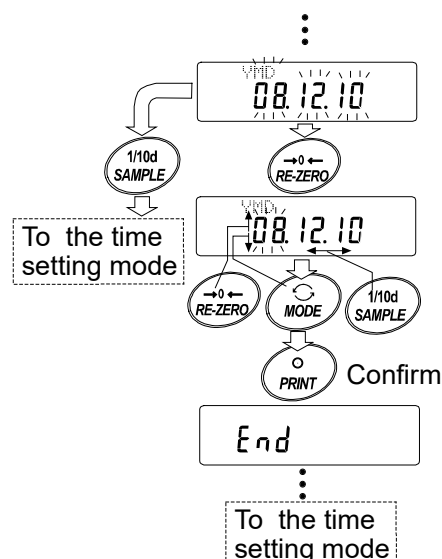
Setting the date (with part of the digits blinking)

Before setting the date, set the order in which to display year, month and date.

- | | |
|--------------------|--|
| RE-ZERO key | To select “YMD”, “MDY” or “DMY” |
| SAMPLE key | To make the date and time blink and enable it to be changed. |

- 5 Set the date using the following keys.

- | | |
|--------------------|--|
| SAMPLE key | To select the digits to change the value. The selected digits blink. |
| RE-ZERO key | To increase the value by one. |
| MODE key | To decrease the value by one. |
| PRINT key | To store the new setting, display End and go to step 6. |
| CAL key | To cancel the new setting and go to step 6. |



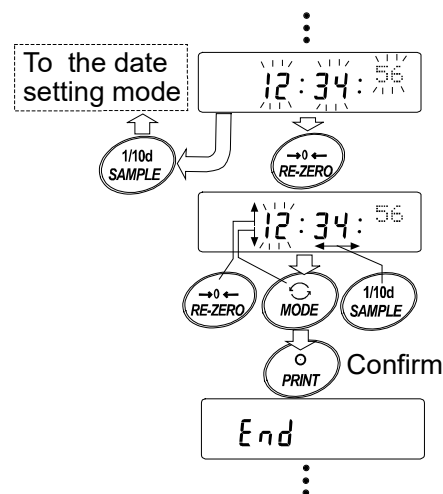
Confirming the time

- 6 The current time is displayed with all the digits blinking.
 - When the time is correct and the date does not need to be confirmed, press the **CAL** key and go to step 8.
 - When the time is correct and the date is to be confirmed, press the **SAMPLE** key and go back to step 4.
 - When the time is not correct and is to be changed, press the **RE-ZERO** key and go to step 7.

Setting the time (with part of the digits blinking)

- 7 Set the time in a 24-hour format using the following keys.

SAMPLE key	To select the digits to change the value. The selected digits blink.
RE-ZERO key	To increase the value by one.
MODE key	To decrease the value by one.
PRINT key	To store the new setting, display End and go to step 8.
CAL key	To cancel the new setting and go back to step 4.



Quitting the operation

- 8 The balance displays the next menu of the function table. Press the **CAL** key to exit the clock and calendar function and return to the weighing mode.

Notes

- Do not enter invalid values such as a non-existing date when setting the time and date.

10.10. Comparator Function

The results of the comparison are indicated by **HI** **OK** **LO** on the display.

Operating conditions:	<ul style="list-style-type: none"> ● No comparison ● Comparison when the weight data is stable or overloaded, excluding “near zero” ● Comparison when the weight data is stable or overloaded, including “near zero” ● Continuous comparison, excluding “near zero” ● Continuous comparison, including “near zero”
To compare, use:	<ul style="list-style-type: none"> ● Upper limit value and lower limit value
Input method:	<ul style="list-style-type: none"> ● Digital input

Note

“Near zero” means that the weight value is within ± 10 digits of the minimum weighing value. For example, using an FX-3000i in gram mode, the range of ± 0.10 g is “near zero”.

For the description of “Comparator (CP Fnc)”, refer to “10.3. Details of the Function Table”.

Setting example

(Continuous comparison, excluding “near zero”, upper limit and lower limit values, digital input)

Selecting a comparator mode

- 1 Press and hold the **SAMPLE** key until **bRSFnc** of the function table is displayed.

- 2 Press the **SAMPLE** key several times to display **[P Fnc]**.
- 3 Press the **PRINT** key.
- 4 Press the **RE-ZERO** key several times to display **[P 3]**.
- 5 Press the **PRINT** key to store the selected mode.

Entering the upper limit value

- 6 With **[P Hi]** displayed, press the **PRINT** key. The current setting of the upper limit value is displayed with all the digits blinking.
 - When the current setting is not to be changed, press the **PRINT** or **CAL** key to go to step 7.
 - When the current setting is to be changed, press the **RE-ZERO** key. Change the setting using the following keys.

SAMPLE key	To select the digit to change the value. The selected digit blinks.
RE-ZERO key	To change the value of the digit selected.
MODE key	To switch the polarity.
PRINT key	To store the new setting and go to step 7.
CAL key	To cancel the new setting and go to step 7.

Entering the lower limit value

- 7 With **[P Lo]** displayed, press the **PRINT** key. The current setting of the lower limit value is displayed with all the digits blinking.
 - When the current setting is not to be changed, press the **PRINT** or **CAL** key to go to step 8.
 - When the current setting is to be changed, press the **RE-ZERO** key. Change the setting using the following keys.

SAMPLE key	To select the digit to change the value. The selected digit blinks.
RE-ZERO key	To change the value of the digit selected.
MODE key	To switch the polarity.
PRINT key	To store the new setting and go to step 8.
CAL key	To cancel the new setting and go to step 8.

- 8 Press the **CAL** key to exit the comparator function and return to the weighing mode.

11. ID NUMBER AND GLP REPORT

- The ID number is used to identify the balance when Good Laboratory Practice (GLP) or Good Manufacturing Practice (GMP) is used.
- The ID number is maintained in non-volatile memory even if the AC adapter is removed.
- The output format for GLP/GMP compliant report is selected at “GLP output (*inF₀*)” of the function table and can be output to a personal computer or printer using the RS-232C serial interface.
- The GLP/GMP compliant report includes the balance manufacturer, model, serial number, ID number and space for signature for weight data, and the weight used and results for calibration or calibration test data.

When the AD-8127 printer is used, the date and time can be printed using the AD-8127 clock and calendar function. In this case, set the “GLP output (*inF₀*)” parameter to “1”.

- The balance can output the following:
 - “Calibration report” of the calibration, using the internal mass (Calibration due to changes in temperature and one-touch calibration.)
 - “Calibration report” of the calibration, using an external weight.
 - “Calibration test report” of the calibration test, using an external weight.
 - “Title block” and “End block” for the weight data.

11.1. Setting the ID Number

- 1 Press and hold the **SAMPLE** key until **bRSFnC** of the function table is displayed.
- 2 Press the **SAMPLE** key several times to display **id**.
- 3 Press the **PRINT** key. Set the ID number using the following keys.

SAMPLE key To select the digit to change the value. The selected digit blinks.

RE-ZERO key, **MODE** key To set the character of the digit selected. Refer to the display character set shown below.

PRINT key To store the new ID number and display **RPFnC**

CAL key To cancel the new ID number and display **RPFnC**

- 4 Press the **CAL** key to return to the weighing mode.

Display character set

0	1	2	3	4	5	6	7	8	9	-	␣	A	B	C	D	E	F	G	H	I	J	K	L	M	N	O	P	Q	R	S	T	U	V	W	X	Y	Z
0	1	2	3	4	5	6	7	8	9	-	␣	À	á	â	ã	ä	å	æ	ç	è	é	ê	ë	ì	í	î	ï	ñ	ò	ó	ô	õ	ö	÷	ü	ý	ÿ

← **MODE** key ␣ Space **RE-ZERO** key →

11.2. GLP Report

Set the following parameters to output the GLP/GMP compliant report.

- To print the report, set the “GLP output (*inFo*)” parameter to “1”, set the “Data output pause (*PUSE*)” parameter to “1” and use MODE 3 of the AD-8127. For details on using the printer, refer to “17.1. Connection to the AD-8127 Multi Printer.
- To output the report to a personal computer using the RS-232C serial interface, set the “GLP output (*inFo*)” parameter to “2”.

Note

If the time and date are not correct, adjust the AD-8127 clock and calendar (FX-i / FX-iWP / FX-GD series) or use “[L Adj]” of the function table to adjust the time and date (FZ-i / FZ-iWP / FZ-GD series).

Calibration report using an internal weight Printout examples for the FX-i / FX-i WP / FX-GD series

When the setting is “*inFo* 1”:

When the setting is “*inFo* 2”:

AD-8121 format

```

          A & D
MODEL    FZ-3000i
S/N      012345678
ID       ABCDEFG
DATE     2011/12/31
TIME     12:34:56
CALIBRATED<INT.>
REMARKS

SIGNATURE
-----

```

← Manufacturer →
 ← Model →
 ← Serial number →
 ← ID number →
 ← Date →
 ← Time →
 ← Calibration type →
 ← Remarks →
 ← Signature →

General data format

```

          A_&_D<TERM>
MODEL___FZ-3000i<TERM>
S/N____012345678<TERM>
ID_____ABCDEFG<TERM>
DATE<TERM>
_____2011/12/31<TERM>
TIME<TERM>
_____12:34:56<TERM>
CALIBRATED<INT.><TERM>
REMARKS<TERM>
<TERM>
<TERM>
SIGNATURE<TERM>
<TERM>
<TERM>
-----<TERM>
<TERM>
<TERM>

```

- Space, ASCII 20h
- <TERM> Terminator, C_R, L_F or C_R
- C_R Carriage return, ASCII 0Dh
- L_F Line feed, ASCII 0Ah

Calibration report using an external weight Printout examples for the FX-i /FX-i WP /FX-GD series

When the setting is "info 1":

AD-8121 format

```

      A & D
MODEL   FX-3000i
S/N     012345678
ID      ABCDEFG
DATE    2011/12/31
TIME    12:23:34
CALIBRATED(EXT.)
CAL.WEIGHT
      +200.0000 g
REMARKS

SIGNATURE
-----
    
```

- Space, ASCII 20h
- <TERM> Terminator, C_R, L_F or C_R
- C_R Carriage return, ASCII 0Dh
- L_F Line feed, ASCII 0Ah

When the setting is "info 2":

General data format

```

      A_&_D<TERM>
MODEL___FX-3000i<TERM>
S/N____012345678<TERM>
ID_____ABCDEFG<TERM>
DATE<TERM>
<TERM> *
TIME<TERM>
<TERM> *
CALIBRATED(EXT.)<TERM>
CAL.WEIGHT<TERM>
____+200.0000__g<TERM>
REMARKS<TERM>
<TERM>
<TERM>
SIGNATURE<TERM>
<TERM>
<TERM>
-----<TERM>
<TERM>
<TERM>
    
```

* With FZ-i /FZ-iWP /FZ-GD series, the time and date are added to output data.

Calibration test report using an external weight Printout examples for the FX-i /FX-i WP /FX-GD series

(Calibration test does not perform calibration.)

When the setting is "info 1":

AD-8121 format

```

      A & D
MODEL   FX-3000i
S/N     012345678
ID      ABCDEFG
DATE    2011/12/31
TIME    12:23:34
CAL.TEST(EXT.)
ACTUAL
      0.0000 g
      +199.9999 g
TARGET
      +200.0000 g
REMARKS

SIGNATURE
-----
    
```

- Space, ASCII 20h
- <TERM> Terminator, C_R, L_F or C_R
- C_R Carriage return, ASCII 0Dh
- L_F Line feed, ASCII 0Ah

When the setting is "info 2":

General data format

```

      A_&_D<TERM>
MODEL___FX-3000i<TERM>
S/N____012345678<TERM>
ID_____ABCDEFG<TERM>
DATE<TERM>
<TERM> *
TIME<TERM>
<TERM> *
CAL. TEST (EXT.)<TERM>
ACTUAL<TERM>
____0.0000__g<TERM>
____+199.9999__g<TERM>
TARGET<TERM>
____+200.0000__g<TERM>
REMARKS<TERM>
<TERM>
<TERM>
SIGNATURE<TERM>
<TERM>
<TERM>
-----<TERM>
<TERM>
<TERM>
    
```

* With FZ-i /FZ-iWP /FZ-GD series, the time and date are added to output data.

Title block and end block

When a weight value is recorded as the GLP data, "Title block" and "End block" are inserted at the beginning and at the end of a group of weight values, in the GLP report.

Operation Printout examples for the FX-i / FX-i WP / FX-GD series

- 1 With the weight data displayed, press and hold the **PRINT** key until **Start** is displayed. The "Title block" is output.
- 2 The weight data is output according to the parameter setting of the data output mode.
- 3 Press and hold the **PRINT** key until **RecEnd** is displayed. The "End block" is output.

When the setting is "info 1":

AD-8121 format

```

                A & D
MODEL      FX-3000i
S/N       01234567
ID        ABCDEFG
DATE      2008/12/31
START
TIME      12:23:34
-----
WT      +1234.56 g
WT      +1234.61 g
WT      +1234.53 g
WT      +1234.71 g
WT      +1234.64 g
-----
END
TIME      12:34:56
REMARKS

SIGNATURE
-----
  
```

When the setting is "info 2":

General data format

```

                A & D <TERM>
MODEL...FX-3000i <TERM>
S/N.....01234567 <TERM>
ID.....ABCDEFG <TERM>
DATE <TERM>
<TERM> *
START <TERM>
TIME <TERM>
<TERM> *
<TERM>
-----
<TERM>
<TERM>
WT...+1234.56...g <TERM>
WT...+1234.61...g <TERM>
WT...+1234.61...g <TERM>
-----
WT...+1234.51...g <TERM>
WT...+1234.53...g <TERM>
WT...+1234.71...g <TERM>
WT...+1234.64...g <TERM>
<TERM>
END <TERM>
TIME <TERM>
<TERM> *
REMARKS <TERM>
<TERM>
<TERM>
SIGNATURE <TERM>
<TERM>
<TERM>
----- <TERM>
<TERM>
<TERM>
  
```

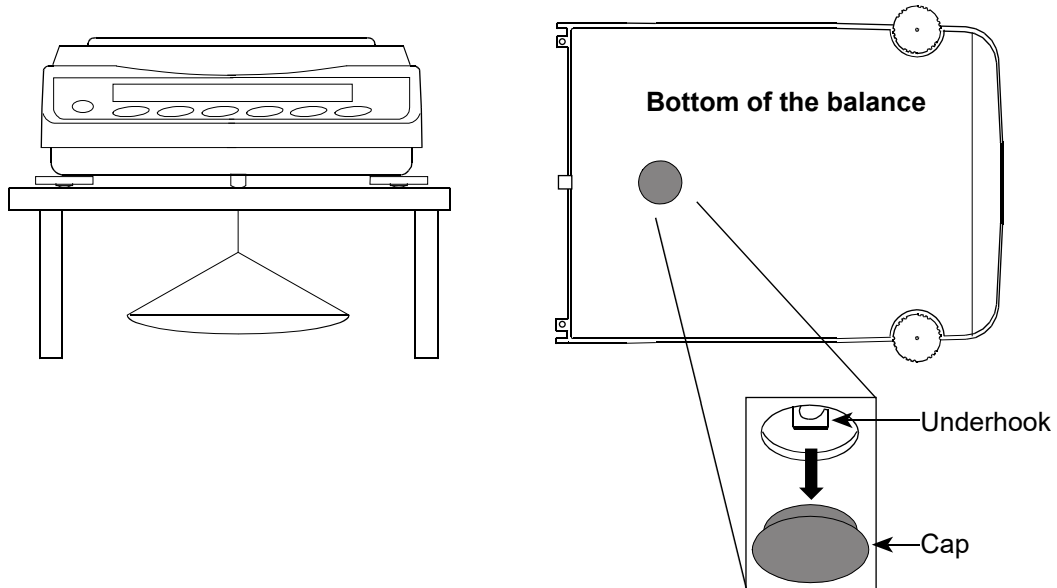
- Space, ASCII 20h
- <TERM> Terminator, C_R, L_F or C_R
- C_R Carriage return, ASCII 0Dh
- L_F Line feed, ASCII 0Ah

* With FZ-i / FZ-iWP / FZ-GD series, the time and date are added to output data.

12. UNDERHOOK

The underhook can be used for magnetic materials or density measurement. The built-in underhook is revealed by removing the plastic cap on the bottom of the balance.

Use the underhook as shown below.



Caution

Do not apply excessive force to the underhook.

When not in use, attach the plastic cap to prevent dust from getting into the balance.

Do not push the underhook upward.

13. PROGRAMMABLE-UNIT

This is a programmable unit conversion function. It multiplies the weight data in grams by an arbitrary coefficient set in the function table and displays the result.

The coefficient must be within the range between the minimum and maximum shown below. If the coefficient set is beyond the range, an error is displayed and the balance returns to the coefficient setting mode, prompting to enter an appropriate value. A coefficient of 1 was set at the factory.

Model			Minimum coefficient	Maximum coefficient
FX/FZ series 120i/200i/300i/500i	120i WP/200i WP/300i WP	120GD/200GD/300GD	0.000001	1000
FX/FZ series 1200i/2000i/3000i/5000i	1200i WP/2000i WP/3000i WP	1200GD/2000GD/3000GD		100

Operation

- 1 Press and hold the **SAMPLE** key until **bRSFnC** of the function table is displayed.
- 2 Press the **SAMPLE** key several times to display **nLtJ**.
- 3 Press the **PRINT** key. The balance enters the mode to confirm or set the coefficient.

Confirming the coefficient

- 4 The current coefficient is displayed with the first digit blinking.
 - When it is not to be changed, press the **CAL** key and go to step 6.
 - When it is to be changed, press the **RE-ZERO** key and go to step 5.

Setting the coefficient

- 5 Set the coefficient using the following keys.

SAMPLE key To select a digit to change the value. The selected digit blinks.

RE-ZERO key To change the value.

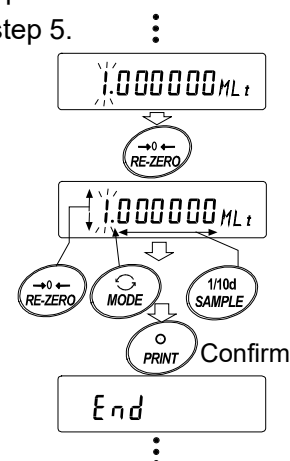
MODE key To change the decimal point position.

Each time the switch is pressed, the decimal point position changes as follows:

→ 0.000001 → 00.00001 → ... → 000000.1 → 0000001 →

PRINT key To store the new setting, display **End** and go to step 6.

CAL key To cancel the new setting and go to step 6.



Quitting the operation

- 6 The balance displays **Unit**. Press the **CAL** key to exit the programmable-unit function and return to the weighing mode.

Using the function

Press the **MODE** key to select the programmable-unit (no display on the unit section). Perform weighing as described in "6.1. Basic Operation (Gram Mode)". After weighing, the balance displays the result (weight data in grams x coefficient).

14. PASSWORD LOCK FUNCTION

By using the password lock function, it is possible to limit the usage and functions of the balance. This function is effective for preventing tampering of date / time setting and preventing internal setting changes by the user.

The password is set with four keys **MODE**, **SAMPLE**, **PRINT** and **RE-ZERO** keys in four digits (4 x 4 x 4 x 4 = 256 outcomes) .

At factory settings, the password lock function is disabled.

Enabling / disabling the password lock function and registering the password are performed in the function table.

Note

The password lock function can be used with balance software version 4.304 or later.

Description of Pass word Lock Function

Three types of settings are possible depending on the "PASS" setting of the Function Table "Password lock function (LocFnc)".

PASS 0	No password lock function
PASS 1	Request password input at the start of weighing
PASS 2	To change the setting, login is required with the administrator's password.

PASS 0 (No password lock function)

The password lock function is not used.

Anyone can perform weighing work. In addition, all functions can be used and setting changes are also possible.

PASS 1 (Request password input at the start of weighing)

An administrator (**AdnIH**) can limit the users of the balance by setting individual passwords.

(The password input is required at the start of weighing with the **ON:OFF** key.)

The balance cannot be in weighing state unless you enter the correct password.

There are two login levels: Administrator (**AdnIH**) and user (**USER 01 to 10**)

Administrator (AdnIH)	All functions and settings can be used. Passwords for 10 users can be set individually.
User (USER 01 to 10)	Initialization and setting changes are restricted (including clock).
No password	The balance cannot be used.

PASS 2 (To change the setting, login is required with the administrator's password.)

Anyone can perform weighing work, and initialization and setting changes can be restricted (including clock).

(Password input is not requested when weighing starts with the **ON/OFF** key.)

There are two levels of login level :Administrator (**AdnIH**) and user (**GUEST**)

Administrator (AdnIH)	All functions and settings can be used.
Guest (GUEST)	Initialization and changing setting is restricted.(including clock)

When weighing is started with the **ON:OFF** key while pressing the **CAL** key when the display is off, the password of the administrator (**AdnIH**) is requested. (Refer to Page 65 for details of the operation.)

Items that are limited by login level

Login level	Weighing		
	Password input at weighing start	Calibration	Change the function setting*5
Administrator (<i>AdmIN</i>)	Necessary	Possible	Possible
User (<i>USER 01 to 10</i>)		Impossible *6	Impossible
Guest (<i>GUEST</i>)	Unnecessary		

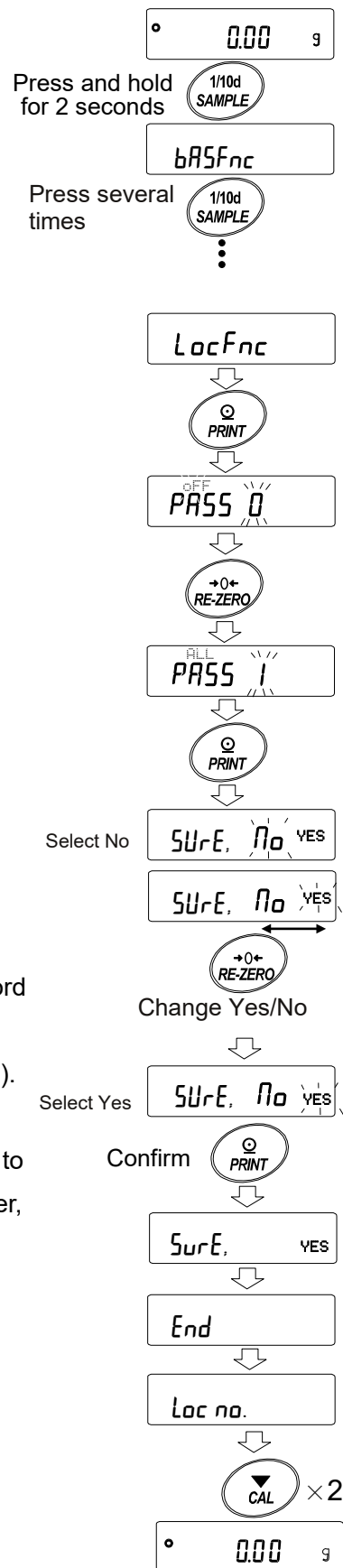
*5 Changing response characteristics, function selection and initialization, function settings (setting of date and time).

*6 The administrator (*AdmIN*) can set this to prohibited as shown in "9. FUNCTION SWITCH AND INITIALIZATION".

Enable Password Lock Function

By the password function (*LocFnc*) of the Function table, the password function can be switched between "Invalid (OFF) / Valid (ALL) / Valid (Fnc)".

1. In the weighing mode, press and hold the **SAMPLE** key for 2 seconds to display **bASFnC**.
2. Press the **SAMPLE** key several times to display **LocFnc**.
3. Press the **PRINT** key to display **PASS 0**.
(To cancel, press the **CAL** key.)
4. Press the **RE-ZERO** key to display **PASS 1**.
(Press the **RE-ZERO** key again to display **PASS 2**.)
5. Press the **PRINT** key to display **SUrE, No**.
("No" blinking while "No" selected.)
6. Press the **RE-ZERO** key to switch **No/YES**.
7. Display **SUrE, No YES**. (YES blinking when selected YES.)
8. Press the **PRINT** key while YES is selected to enable the password lock function.
(With **PASS 1**, password input is requested when the display is ON).
9. **Loc no.** is displayed. To register (change) the password, proceed to 4 on the "Registering Password (Changing)". If you will not register, press the **CAL** key twice to return to the weighing display.



How To Input The Password At The Start Of Weighing

PASS 1 (Request password input at the start of weighing)

1. Press the **ON:OFF** key while the display off.
2. After display **PASS**, it becomes password input display **---- PW**.
3. Input 4 digits password using the following keys.
The balance will turn automatically after no operation for ten minutes.

MODE keyCharacter **n**

SAMPLE keyCharacter **5**

PRINT keyCharacter **P**

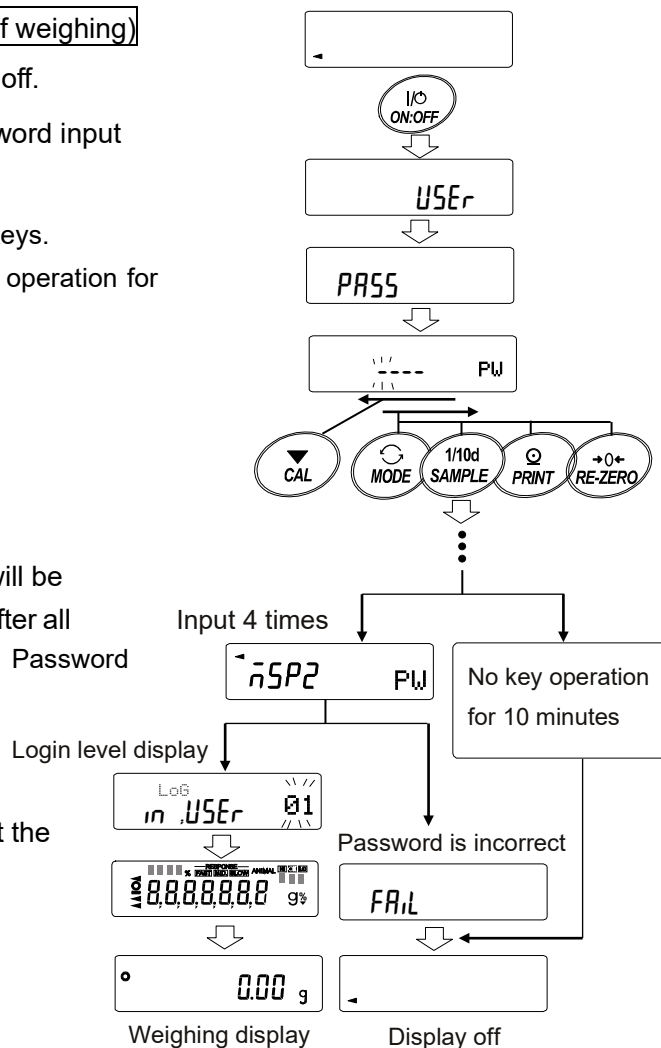
RE-ZERO keyCharacter **2**

CAL keyBack key

4. If the password is correct, the login level will be displayed, the weighing will be displayed after all lamps are illuminated. After entering the Password administrator's password, log in as an administrator.

(At factory settings, the password is set to **2222** by **RE-ZERO** key input 4 times at the administrator level.)

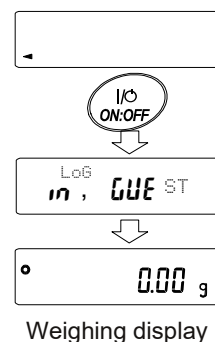
If the password is incorrect, the buzzer sounds 3 times, **FAIL** will display and the display will turn off.



PASS 2 (To change the setting, login is required with the administrator's password)

When logged in as a guest (**GUEST**)

1. Press the **ON:OFF** key while the display off.
2. After **Log in, GUEST** displayed, return to the weighing display.

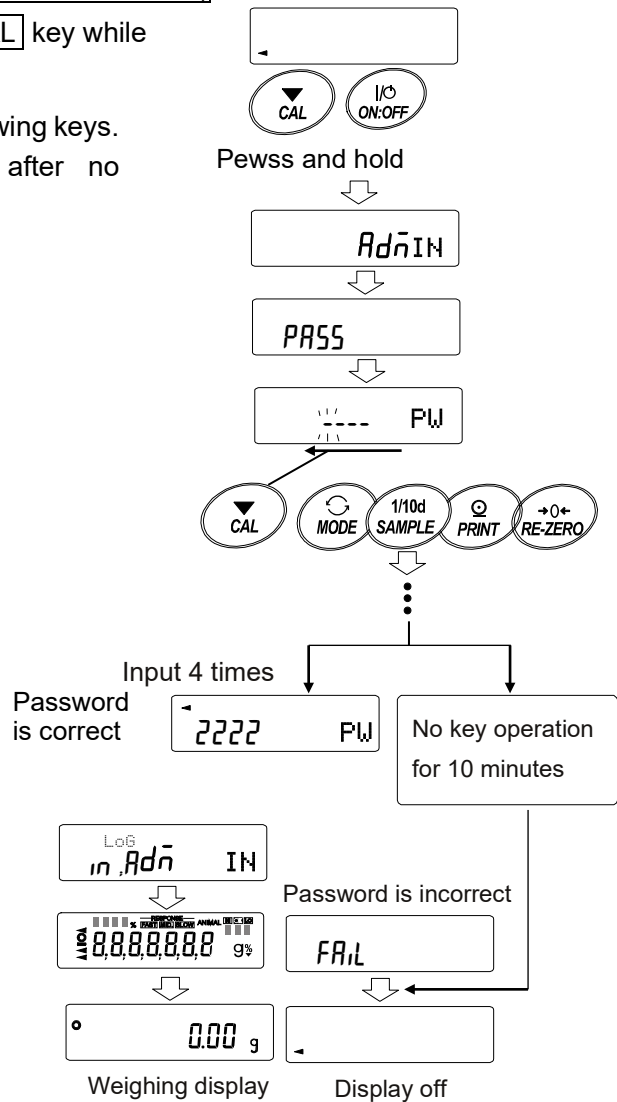


When logging in as administrator (Adn IN.) (PASS 1 or PASS 2)

1. Press the **ON:OFF** key with holding **CAL** key while the display off.
2. Input the 4 digits password using the following keys.
The balance will turn automatically after no operation for 10 minutes.

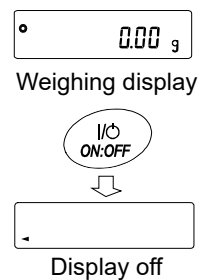
- MODE** keyCharacter \bar{n}
- SAMPLE** keyCharacter 5
- PRINT** keyCharacter P
- RE-ZERO** keyCharacter 2
- CAL** keyBack key

3. If the password is correct, the login level will be displayed, the weighing will be displayed after all lamps are displayed. (At factory settings, the password is set with **2222** of **RE-ZERO** key input 4 times at the administrator level.)
If the password is incorrect, the buzzer sounds 3 times in **FAIL** display and the display turns off.



How To Logout

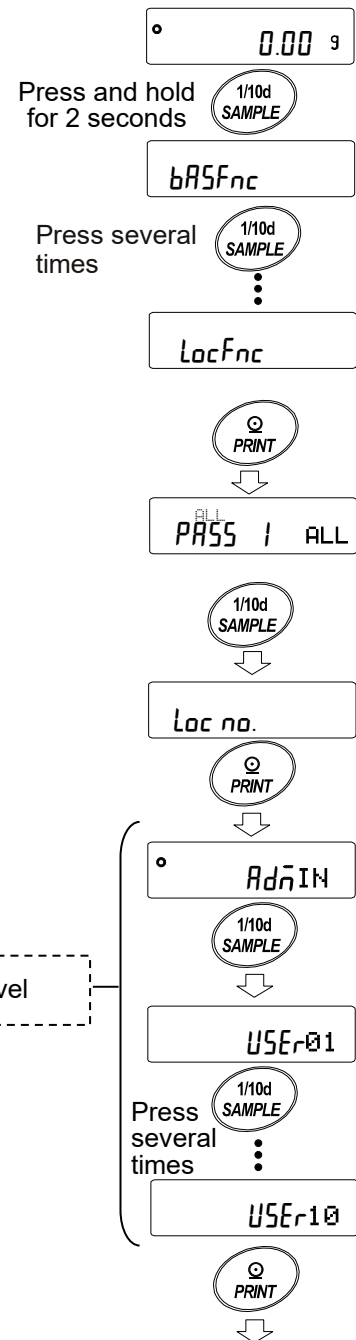
- Log out by turning off the display using the **ON:OFF** key.
If set to "PASS 1", the password will be requested again when switching the display from off to the weighing mode.



Registering Password (Changing)

The password can be changed at "Password (Loc no.)" of the Function Table.

1. Press and hold the **[SAMPLE]** key for 2 seconds in the weighing mode.
bASFnC is displayed.
2. Press the **[SAMPLE]** key several times to display **LocFnC**.
3. Press the **[PRINT]** key to display **PASS 1 ALL**.
4. Press the **[SAMPLE]** key to display **Loc no.**.
5. Press the **[PRINT]** key to display **AdnIN**.
6. Press the **[SAMPLE]** key to change the login level **AdnIN / USEr 01 to 10**.
 If the password is already registered at the login level, the stability mark **o** is lit. (changeable)
7. Press the **[PRINT]** key to change the password.
 Refer to "Changing Password".



Login level

Refer to "Changing Password"

Note

- Log out by turning off the display using the **[ON:OFF]** key.
 - If set to **PASS 2**, the **AdnIN** password is required when logging in as an administrator.
- Password registration of **USEr 01 to 10** is unnecessary.

Changing Password

1. Refer to "Registering Password (Changing)" and display the login level you want to change the password on.
2. Press the **PRINT** key to display the current password. At factory settings, the password is **2222**. (the **RE-ZERO** key, 4 times)
3. Set the new password using the following keys. The balance will turn automatically after no operation for 10 minutes.

- MODE** keyCharacter **h**
- SAMPLE** key.....Character **5**
- PRINT** keyCharacter **P**
- RE-ZERO** keyCharacter **2**
- CAL** keyBack key
- CAL** key(long press)..Delete password

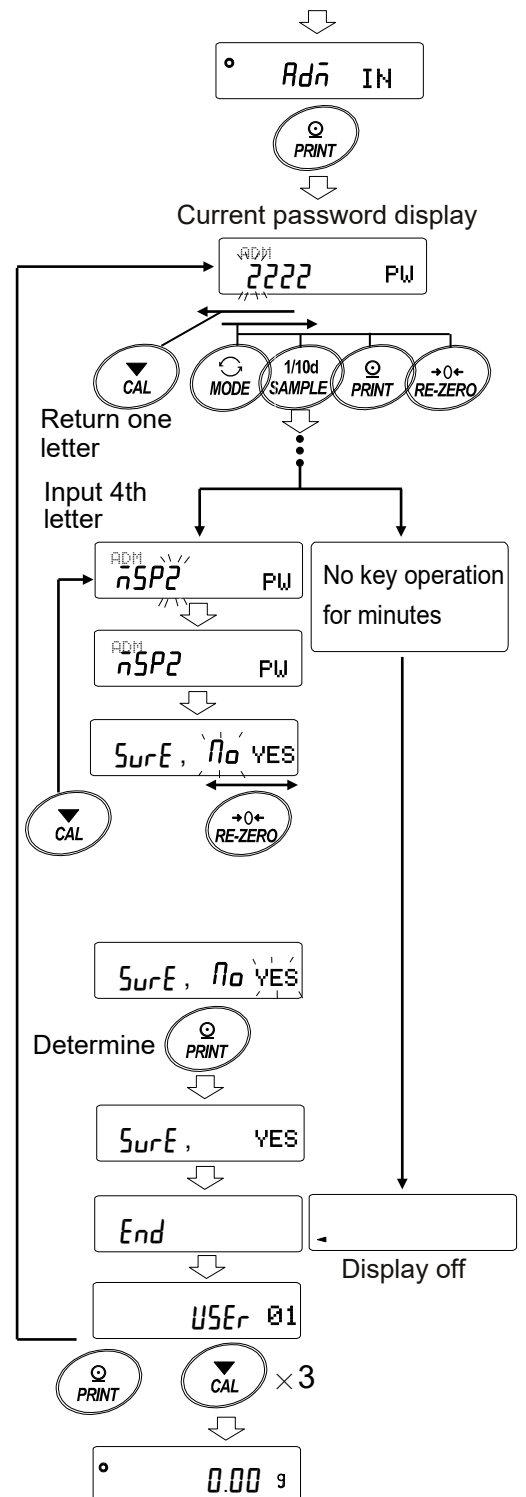
(Refer to "How To Delete The Password **USER 01 to 10**)

4. Input 4 characters of the new password using these keys.
5. The balance displays **SurE, No YES** where "No" is blinking when "No" is selected. (Press the **CAL** key to return to the 4th character input.)
6. Press the **RE-ZERO** key to display **SurE, No YES** where "YES" is blinking when "YES" is selected.
7. Press the **PRINT** key to store the new password when "YES" is selected.
8. When the setting is completed, the next level is displayed. To continue the setting, set it from "6". To end the setting, press the **CAL** key 3 times to return to the weighing display.

Note

- If you forget your password, the balance can not be used. Please record and keep the password you registered.
- The password that is already registered by the administrator (**Adh IN**) cannot be registered by the user (**USER 01 to 10**).

Refer to "Registering Password (Changing)"

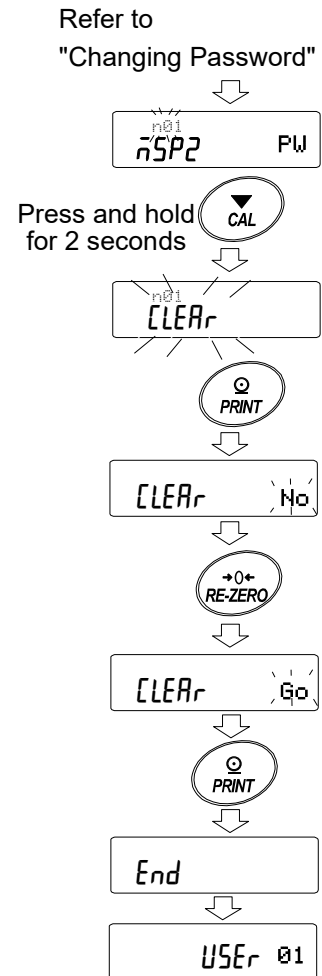


How To Delete The Password (USER 01 to 10)

1. Refer to "Changing Password" and select the user (USER 01 to 10) and display the Password input screen.
2. Hold down the **CAL** key when setting the password and display **CLEAR** (blink).
3. Press the **PRINT** key to display **CLEAR No**.
4. Press the **RE-ZERO** to change **Go /No**
5. Press the **PRINT** when **CLEAR Go** to display **End** and delete the password.

Note

- The administrator's password cannot be deleted.
Please refer to "Registering Password (Changing)" and "Changing Password" to change an arbitrary password.



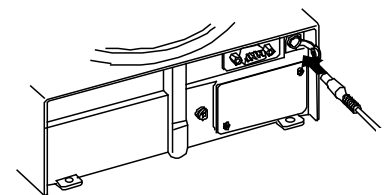
Missing Password

If the correct password is missing, the balance can not be used.
Contact your local A&D dealer to reset the password to factory settings.

15. Checking the Balance Software Version

The balance specifications vary depending on the balance software version. Follow the steps below to check the balance software version.

- 1 Unplug the AC adapter from the balance and plug it back in.
- 2 **P- * * * *** is displayed with the software version in place of * * * *.

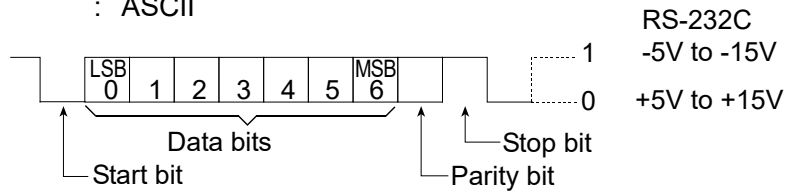


↓
P-4.304

16. RS-232C SERIAL INTERFACE

The balance is a Data Communication Equipment (DCE) device. Connect the balance to a personal computer (DTE) using a straight through cable.

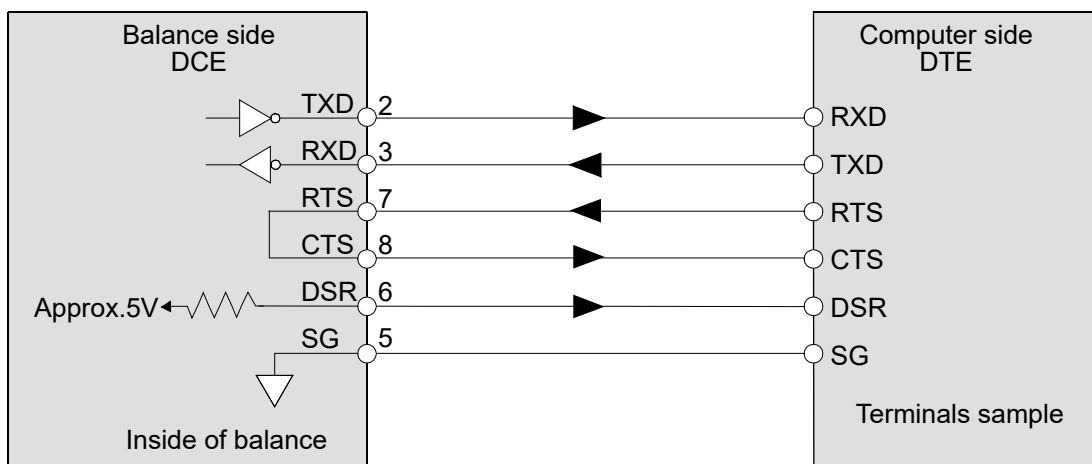
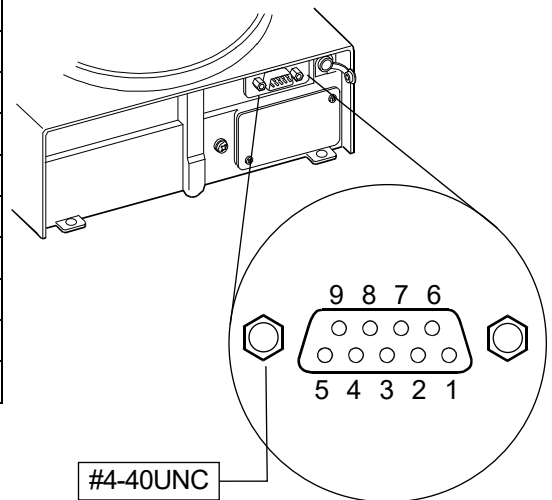
- Transmission system: EIA RS-232C (D-Sub 9-pin, male connector)
- Transmission form : Asynchronous, bi-directional, half duplex
- Transmission rate : 20 times/second, 10 times/second or 5 times/second (same as data refresh rate)
- Data format : Baud rate : 600, 1200, 2400, 4800, 9600, 19200 bps
 - Data bits : 7 or 8 bits
 - Parity : Even, Odd (Data bits 7 bits)
 - None (Data bits 8 bits)
 - Stop bit : 1 bit
 - Code : ASCII



D-Sub 9-pin assignments

Pin No.	Signal name	Direction	Description
1	-	-	N.C. (same potential with SG) *1
2	TXD	Output	Transmit data
3	RXD	Input	Receive data
4	-	-	No connection
5	SG	-	Signal ground
6	DSR	Output	Data set ready
7	RTS	Input	Request to send
8	CTS	Output	Clear to send
9	-	-	N.C. (12V output) *1

Signal names of the balance side are the same as the DTE side with TXD and RXD reversed.



*1 For use with some A&D products.

Do not connect the cables to other manufacturers' products such as a PC and PLC.

Using the wrong connection cable may damage the device. Be sure to check the compatible cable.

17. CONNECTION TO Peripheral EQUIPMENT

17.1. Connection to the AD-8127 Multi Printer or AD-8126 Mini Printer

When connecting the printer to the balance for printing measured values, configure the printer and the balance as follows according to these usage examples.

Internal settings of the printer

Usage example	AD-8126 Mini printer	AD-8127 Milti printer Printing mode settings
When printing values measured by the balance with the balance's PRINT key or its "Auto-print" mode.	No setting	EXT.KEY
When printing values measured by the balance with the printer's "Printing" key or while in its timer mode. When printing charts with the printer.	/	MANUAL AUTO TIMER CHART
When printing the balance's statistical calculation results. When printing the balance's GLP data output.	No setting	DUMP

- Refer to the instruction manual of the AD-8127 for how to change internal settings of the AD-8127 multi printer.

Internal settings of the balance

Usage example	Balance <i>Prt</i> Data output mode	Balance <i>TYPE</i> Data format
When printing values measured by the balance with the balance's PRINT key or its "Auto-print" mode.	0, 1, 2, 4, 5	0
When printing values measured by the balance with the printer's "Printing" key or while in its timer mode. When printing charts with the printer.	3, 6	0
When printing the balance's statistical calculation results. When printing the balance's GLP data output.	0, 1, 2, 4, 5, 6	1

Precautions on use of the AD-8126 mini printer

- **The AD-8126 is a dump printer. It prints data output from the balance as is.**
We recommend changing the printer settings to dump print format because the output format of the balance is set to A&D standard format at shipment.
- To set the balance to dump print format, set the function setting "*TYPE*" to "1".

17.2. Connection to the AD-8121B Printer

Set the following parameters to use the AD-8121B printer.

Example of use	AD-8121B mode setting
To print A&D standard format weight data, using the FZ- <i>i</i> / FX- <i>i</i> PRINT key or auto print mode. (The time and date can be added.)	MODE 1
To print A&D standard format weight data, using the AD-8121B DATA key or AD-8121B built-in timer. (The time and date can be added.) To print, using the AD-8121B chart printing function.	MODE 2
To print the FZ- <i>i</i> / FX- <i>i</i> statistical data.	MODE 3
To print GLP output.	MODE 3

Class	Item and Parameter	Factory settings	AD-8121B MODE 1	AD-8121B MODE 2	AD-8121B MODE 3
Data output	<i>Prt</i> Data output mode	0	0, 1, 2, 4, 5 *1	3	0, 1, 2, 4, 5 *1
	<i>PUSE</i> Data output pause	0	0	0	0, 1 *2
Serial interface	<i>bPS</i> Baud rate	2	2	2	2
	<i>btPr</i> Data bit, parity bit	0	0	0	0
	<i>CrLF</i> Terminator	0	0	0	0
	<i>tYPE</i> Data format	0	0	0	1

*1 Set appropriate parameters for “*AP-P* (Auto print polarity)” and “*AP-b* (Auto print difference)” when auto print mode A or B (*Prt* 1 or 2) is selected.

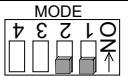
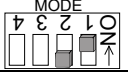
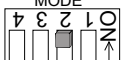
Set the AD-8121B DIP switch No.3 to ON when unstable data is printed with “*Prt* 4”.

*2 Set 1 when multiple lines are printed in the FZ-*i* / FX-*i* / FZ-*i*WP / FX-*i*WP / FZ-GD / FX-GD statistical calculation mode.

Notes

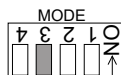
Refer to "11.2. GLP Report" for print samples.

Settings of AD-8121B DIP switches

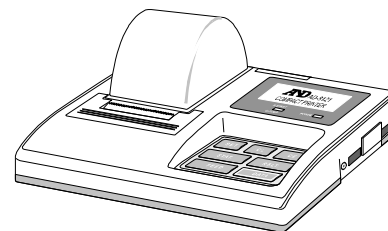
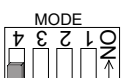
MODE	AD-8121B DIP switch	Description
MODE 1		Print at receiving data. Standard mode, statistical calculation mode
MODE 2		Print by the AD-8121B DATA key operation or AD-8121B built-in timer. Standard mode, interval mode, chart mode
MODE 3		Print at receiving data. Dump print mode

DIP switch No.3 : Handling unstable data

ON Print
OFF Not printed



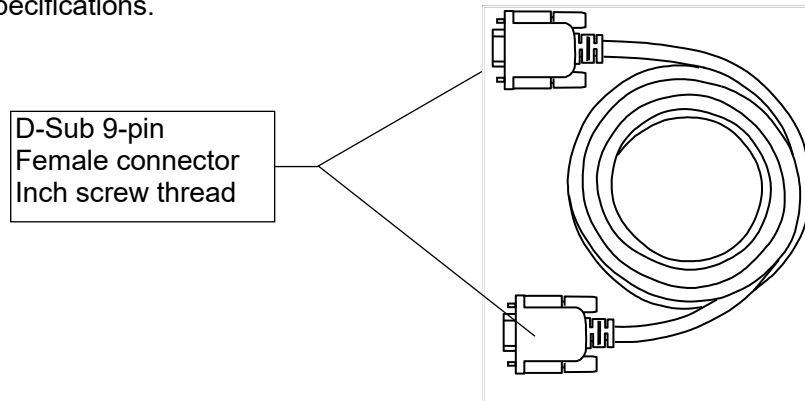
Set the DIP switch No.4 to OFF.



17.3. Connection to a Computer

The balance can be connected to a personal computer using the RS-232C serial interface. As an option, the FXi-02 USB interface is available to transmit the balance data to a personal computer.

The balance is a DCE device. Use a straight through cable when connecting to a personal computer. A commercially available modem cable can be used. When purchasing, confirm the following specifications.



17.4. Using Windows Communication Tools (WinCT)

When Windows is used as an operating system in a personal computer, the WinCT software, that is downloaded from the A&D website, can be used to transmit the weight data to the personal computer.

The WinCT has two communication methods: "RsCom" and "RsKey".

RsCom

- Can transmit commands to control the balance.
- Can make bi-directional communication between the balance and a personal computer using the RS-232C serial interface.
- Can display or store the data using a text file format. Can also print the data using a printer connected to a personal computer.
- When several ports of a personal computer have balances connected, can communicate with each balance simultaneously.
- Can share a personal computer with other application software.

RsKey

- Can transmit the weight data output from the balance directly to other application software such as Microsoft Excel.
- Can be used with most application software.

RsWeight

- Can retrieve the weight data from the balance and display the data as a graph in real time.
- Can calculate and display the maximum, minimum, average, standard deviation and coefficient of variation.

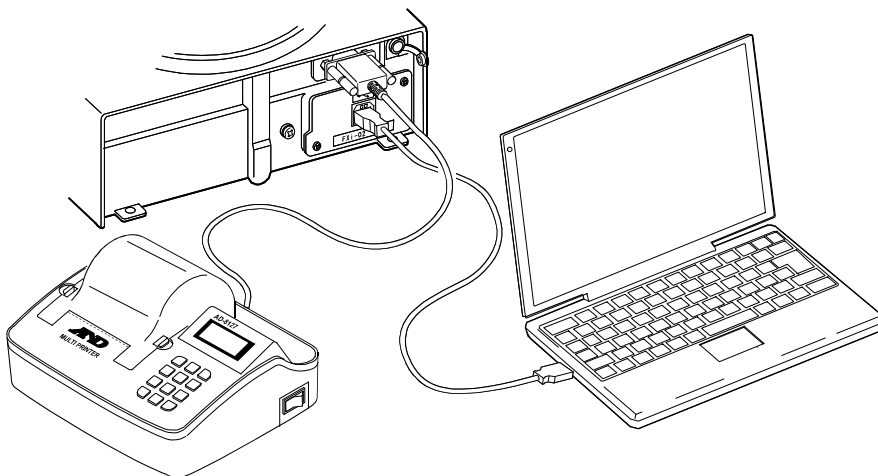
Using the WinCT software, the balance can do the following:

- 1 Analyzing the weight data and the statistics with “RsKey”
The weight data can be input directly into an Excel worksheet. Then, Excel can analyze the data to obtain sum, average, standard deviation, maximum and minimum value, and display them as a graph.
- 2 Controlling the balance using commands from a personal computer
By using “RsCom”, the personal computer sends commands such as “re-zero” or “send weight data” to the balance and controls the balance.
- 3 Printing the balance GLP report using your printer
The balance GLP report can be printed using a printer connected to a personal computer.
- 4 Receiving weight data at a certain interval
The weight data can be received at a certain interval and data characteristic with elapsed time can be obtained.
- 5 Using a personal computer as an external indicator
With the “RsKey” test mode function, a personal computer can be used as an external weight indicator for the balance. (To do this, set the balance data output mode to stream mode.)

17.5. Simultaneously Connecting the AD-8127 Printer and a Personal Computer

The balance can be connected to the AD-8127 printer and a personal computer simultaneously using the Fxi-02 USB interface to store and print the data.

In that case, a USB cable and the winCT software are necessary.



18. COMMANDS

18.1. Command List

Note

A command has a terminator added, that is specified using the "Terminator (CRLF)" parameter of "Serial interface (5iF)" in the function table, and is sent to the balance.

Commands to query weight data

C	Cancels the S or SIR command.
Q	Requests the weight data immediately.
S	Requests the weight data when stabilized.
SI	Requests the weight data immediately.
SIR	Requests the weight data continuously.
^EscP	Requests the weight data when stabilized.

Note: The "Q" and "SI" commands, the "S" and "^EscP" commands behave the same.

Commands to control the balance

CAL	Same as the CAL key.
EXC *	Calibration using an external weight
OFF	Turns the display off.
ON	Turns the display on.
P	Same as the ON:OFF key
PRT	Same as the PRINT key
R	Same as the RE-ZERO key
SMP	Same as the SAMPLE key.
T	Tare key
Z	Same as the RE-ZERO key
^EscT	Same as the RE-ZERO key
U	Same as the MODE key
?ID	Requests the ID number.
?SN	Requests the serial number.
?TN	Requests the model name.
?PT	Requests the tare weight.
PT: *****. *g	Changes the tare weight. The unit added is the current weighing unit in A&D standard format.
?UW	Requests the unit mass value.
UW: ***. ***g	Changes the unit mass value (weight per piece). Use the unit code (three digits) in A&D standard format for the unit.
?KL	Requests the key lock status. KL,000 All keys unlocked KL,001 All keys locked
KL: ***	Changes the key lock status. KL:000 Unlock all keys KL:001 Lock all keys

Note: The "R", "Z" and "^EscT" commands behave the same.

^Esc : ASCII code 1Bh

* : Only for the FZ-i / FZ-i WP / FZ-GD series

18.2. Acknowledge Code and Error Codes

When the "AK, Error code (*ErrCd*)" parameter of "Serial interface (*S iF*)" is set to "1", the balance outputs <AK> code or an error code for each command as follows:

<AK> (06h) Acknowledge in ASCII code.

- When the balance receives a command to request data and can not process it, the balance transmits an error code (EC, Exx).

When the balance receives a command to request data and can process it, the balance outputs the data.

- When the balance receives a command to control the balance and can not process it, the balance transmits an error code (EC, Exx).

When the balance receives a command to control the balance and can process it, the balance transmits the acknowledge code.

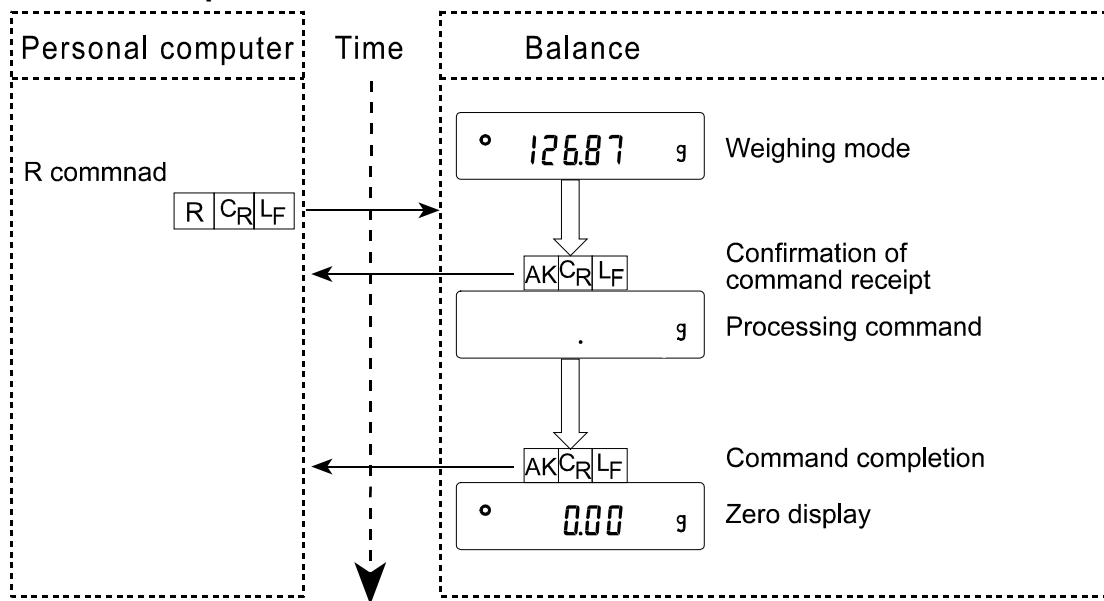
Among commands to control the balance, the following transmit the acknowledge code both when the balance receives the command and when the balance has accomplished the command. If the command can not be processed properly, the balance transmits an error code (EC, Exx). This error can be released using the CAL command.

CAL command (When performing the calibration using a calibration weight)

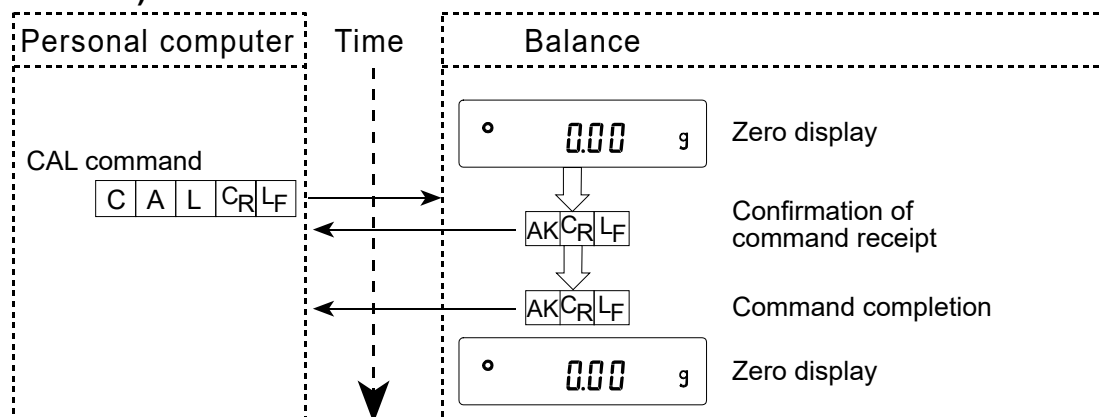
ON command, P command

R command, Z command, T command (When setting the display to zero)

R command example

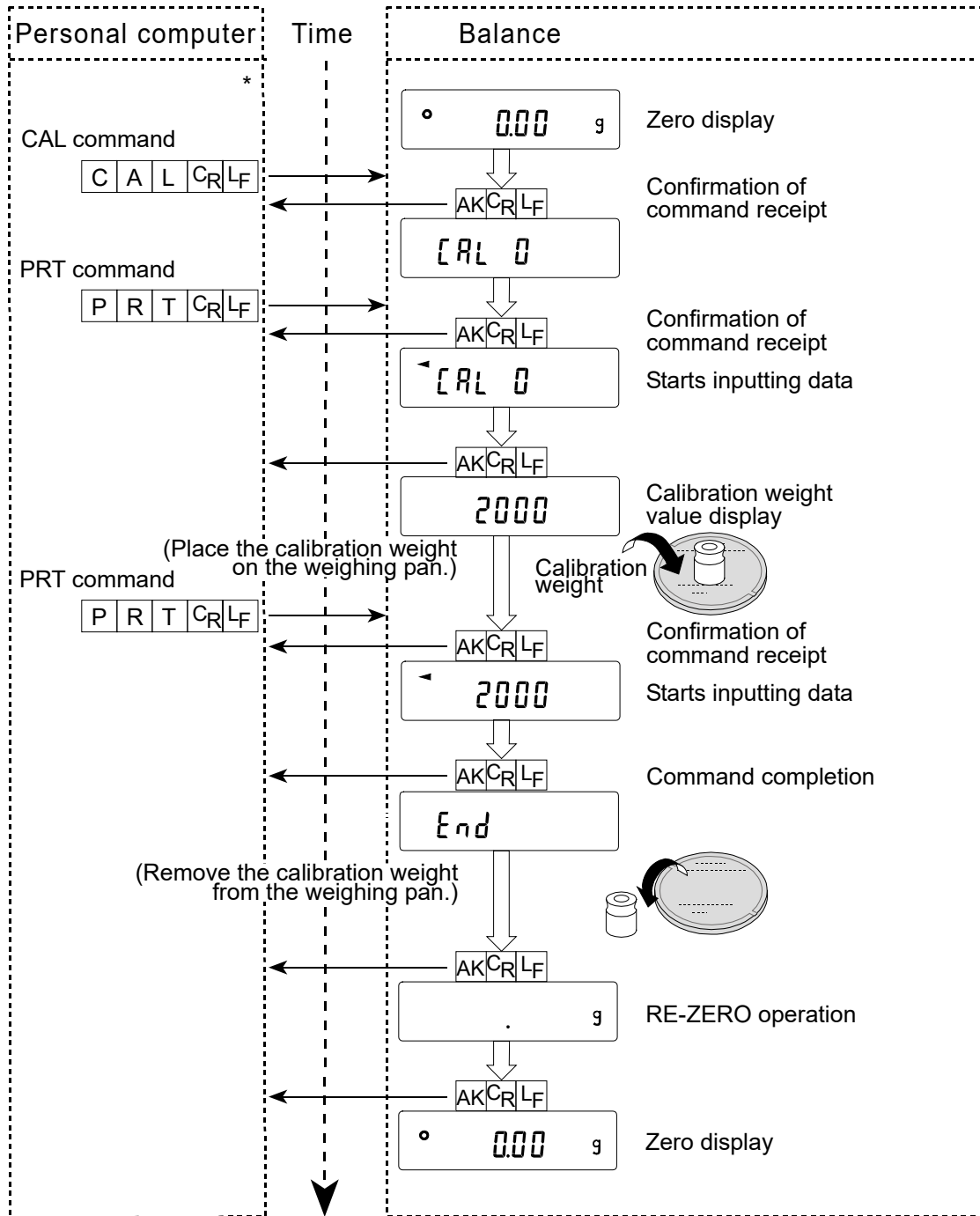


CAL command example (FZ-i / FZ-iWP / FZ-GD series: Calibration using the internal mass)

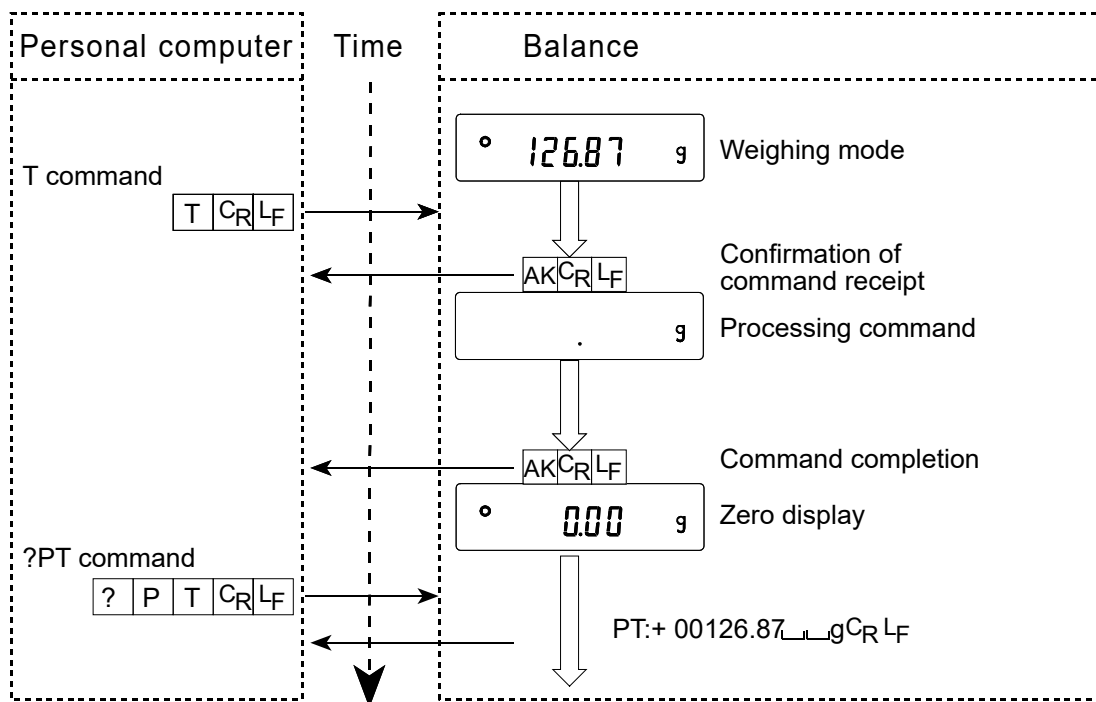


CAL command example (FX-i / FX-iWP / FX-GD series: Calibration using an external weight)

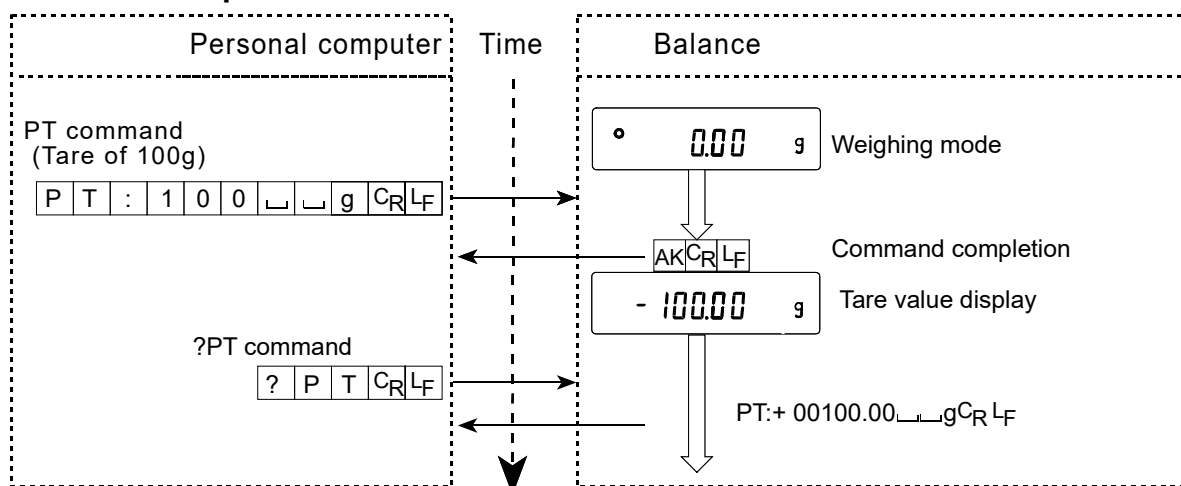
* : EXC command for FZ-i / FZ-iWP / FZ-GD series



T command example



PT command example



- When a communication error has occurred due to external noise, or a parity error has occurred due to transmission error, the balance transmits an error code. In this case, send the command again.

18.3. Settings Related to RS-232C

Concerning the RS-232C, the balance has two functions: "Data output (*dout*)" and "Serial interface (*SIF*)". Set each function as necessary.

19. MAINTENANCE

19.1. Care

Cleaning the balance

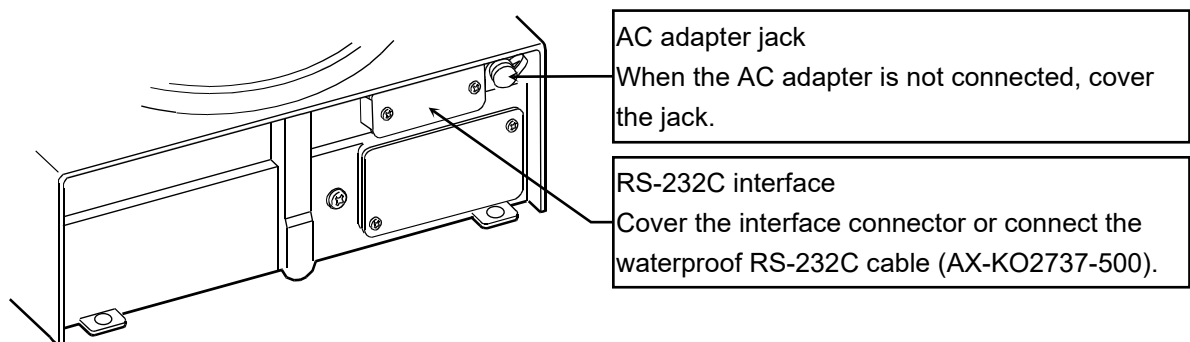
Do not use organic solvents or chemically treated cloth to clean the balance.

Balance main unit	When cleaning the balance main unit, wipe it using a lint free soft cloth dampened with a mild detergent.
Breeze break	An anti-static treatment has been applied to the breeze break components. Wipe them with dry and a lint free soft cloth. Wiping them using a cloth dampened with water or a mild detergent repeatedly or washing them using water may cause the anti-static treatment performance to decrease.
Weighing pan	When cleaning the weighing pan, handle it carefully so that your fingers are not injured by the edges.

- Do not disassemble the balance.
- Use the original packing material for transportation.

Specifications of the FZ-iWP/FX-iWP series

- In normal use, the balance can be cleaned with water. But, keep the following precautions so that dust and water do not invade the balance.
 - Do not direct water pressure at the bottom of the balance.
 - Do not use powerful water jets.
 - Do not immerse the balance in water.
- While cleaning the balance and keeping it waterproof, cover the RS-232C interface connector using the terminal cover or connect the waterproof RS-232C cable (AX-KO2737-500), and cover the AC adapter jack. Also, insure that the underhook cap is in place.



- If water accumulates on the waterproof diaphragm, a weight value may be difficult to become stable. Clean the diaphragm while taking much care not to deform it.
- If you wash the balance with hot water, condensation may form inside the balance.
Be careful not to allow water vapor to enter inside.

20. TROUBLESHOOTING

20.1. Checking the Balance Performance and Environment

The balance is a precision instrument. When the operating environment or the operating method is inadequate, correct weighing can not be performed. Place a sample on the pan and remove it, and repeat this several times. If the balance seems to have a problem with repeatability or to perform improperly, check as described below. Also, visit our website, <http://www.aadd.jp/>, for “Information Library” and “FAQ”. If improper performance persists after checking, contact the local A&D dealer for repair.

Checking that the balance performs properly

- Check the balance repeatability using an external weight. Be sure to place the weight in the center of the weighing pan.
- Check the balance repeatability, linearity and calibrated value using external weights with a known value.

Checking that the operating environment or weighing method is proper

Operating environment

- Is the weighing table solid enough (especially for the minimum weighing value of 0.001 g)?
- Is the balance level? Refer to “3.1. Before Use”.
- Is the operating environment free from vibration and drafts? For the minimum weighing value of 0.001 g, has the breeze break been installed?
- Is there a strong electrical or magnetic noise source such as a motor near the balance?

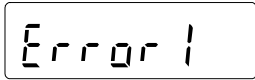
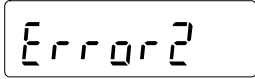

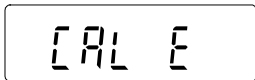
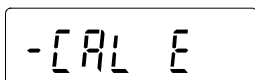
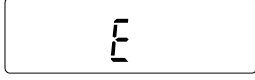
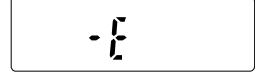
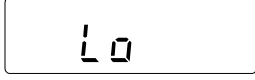
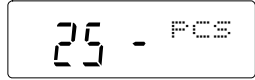
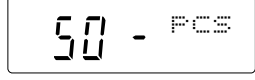
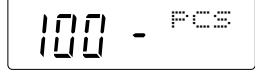
Weighing method

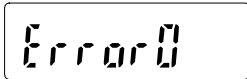
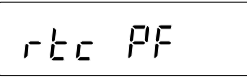
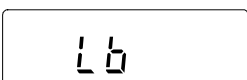
- Is the weighing pan installed correctly?
- Is the **RE-ZERO** key pressed before placing a sample on the weighing pan?
- Is the sample placed in the center of the weighing pan?
- Has the balance been calibrated using an external weight? (Or one-touch calibration, only for the FZ-*i* / FZ-*i*WP / FZ-GD series)
- Has the balance been warmed up for 30 minutes before weighing?

Sample and container

- Has the sample absorbed or lost moisture due to the ambient conditions such as temperature and humidity?
- Has the temperature of the container been allowed to equalize to the ambient temperature? Refer to “3.2. During Use”.
- Is the sample charged with static electricity? Refer to “3.2. During Use”.
The minimum weighing value of 0.001 g are prone to be charged with static electricity when the relative humidity is low.
- Is the sample of magnetic material such as iron? Caution is required for weighing magnetic materials. Refer to “3.2. During Use”.

20.2. Error Codes

Display	Error code	Description
	EC, E11	<p>Stability error</p> <p>The balance can not stabilize due to an environmental problem. Prevent vibration, drafts, temperature changes, static electricity and magnetic fields.</p> <p>Refer to “3. PRECAUTIONS” for details on the operating environment and “7. RESPONSE ADJUSTMENT” about adapting the balance to the environment.</p> <p>To return to the weighing mode, press the CAL key.</p>
		<p>Out of range error</p> <p>The value entered is beyond the settable range. Re-enter the value.</p>
	EC, E17	<p>Internal mass error (Only for the FZ-i /FZ-i WP /FZ-GD series)</p> <p>The internal mass application mechanism does not function properly. Perform the weighing operation from the beginning again.</p>
	EC, E20	<p>Calibration weight error</p> <p>The calibration weight is too heavy.</p> <p>Confirm that the weighing pan is properly installed. Confirm the calibration weight value.</p> <p>Press the CAL key to return to the weighing mode.</p>
	EC, E21	<p>Calibration weight error</p> <p>The calibration weight is too light.</p> <p>Confirm that the weighing pan is properly installed. Confirm the calibration weight value.</p> <p>Press the CAL key to return to the weighing mode.</p>
		<p>Overload error</p> <p>A sample beyond the balance weighing capacity has been placed on the pan.</p> <p>Remove the sample from the pan.</p>
		<p>Weighing pan Error</p> <p>The weight value is too light.</p> <p>Confirm that the weighing pan and pan support are properly installed. Press the ON:OFF key two times to return to the weighing mode. If the error still persists, calibrate the balance.</p>
		<p>Sample mass error</p> <p>The balance can not store the sample for the counting mode or for the percent mode because it is too light.</p> <p>Use a sample that is heavier</p>
  		<p>Unit mass error</p> <p>The sample unit mass for the counting mode is too light. Storing and using it for counting will cause a counting error.</p> <p>Add samples to reach the specified number and press the PRINT key.</p> <p>Pressing the PRINT key without adding samples will shift the balance to the counting mode. But, to acquire accurate weighing, be sure to add samples.</p>

	Balance internal error If this error appears persistently, contact the local A&D dealer.
	Battery error for clock The back-up battery power for the clock was lost completely. After pressing one of the keys, adjust the date and time. Even if the back-up battery power for the clock was lost and the balance is on or in the standby state, the balance performance will be normal. When this error appears frequently, repair is required.
	Low battery error Voltage of the power supply drops. Confirm whether the correct AC adapter is used.
EC, E00	Communications error A protocol error occurred in communications. Confirm the format, baud rate and parity.
EC, E01	Undefined command error An undefined command was received. Confirm the command.
EC, E02	Not ready A received command can not be processed. e.g. The balance received a Q command, but not in the weighing mode. e.g. The balance received a Q command while processing a RE-ZERO command. Adjust the delay time to transmit a command.
EC, E03	Timeout error If the timeout parameter is set to "t-UP 1", the balance did not receive the next character of a command within the time limit of one second. Confirm the communication.
EC, E04	Excess characters error The balance received excessive characters in a command. Confirm the command.
EC, E06	Format error A command includes incorrect data. e.g. The data is numerically incorrect. Confirm the command.
EC, E07	Parameter setting error The received data exceeds the range that the balance can accept. Confirm the parameter range of the command.

20.3. Asking For Repair

If the balance needs service or repair, contact the local A&D dealer.

The balance is a precision instrument. Use much care when handling the balance and observe the following when transporting the balance.

- Use the original packing material.
- Remove the weighing pan from the main unit

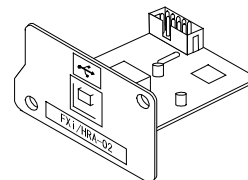
21. OPTIONS

Accessories

Note

The FXi-02, FXi-08 and FXi-09 can not be used at the same time.

Using the FXi-02, FXi-08 or FXi-09 with the FX-iWP, FZ-iWP series prevents the balance from having the dustproof and waterproof performance.



FXi-02 USB interface

(Installed in the balance, Applicable OS: Windows 98 OSR2 or later)

- Used to transmit the balance weight data (numerical value only) uni-directionally to a personal computer via USB.
- Can transmit the balance weight data (numerical value only) directly to application software such as Microsoft Excel, Word and memo pad.
- Driver installation is not necessary.

Note

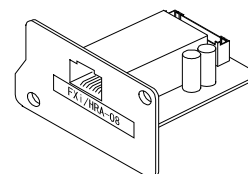
To perform bi-directional communication using WinCT or input statistical data or GLP data to a personal computer, use the USB converter (AX-USB-9P-EX)

FXi-02 Example of use

	A	B	C	D	E	F	G
1	2019.24						
2	2019.26						
3	2019.28						
4	2232.58						
5	2019.27						
6	2019.27						
7	2019.26						
8	1863.45						
9							
10							
11							
12							
13							
14							
15							

FXi-08 Ethernet interface

- Used to connect the balance to a LAN.
- The "WinCT-Plus" data communication software is provided as a standard accessory and can perform the following.
 - Acquire data from multiple balances connected to a LAN.
 - Control these balances with commands.
 - Acquire data transmitted from balances.
Example: When pressing the **PRINT** key of the balance, data is output and is acquired by the computer.
 - The stored data can be used with Microsoft Excel (if installed).



FXi-08 Example of use

	FX-3000	FX-3000
1	11:19:43 ST *0018.225 g	11:20:02 ST +02019.24 g
2	11:19:49 ST *0018.225 g	11:20:05 ST +02019.26 g
3	11:21:07 ST *0016.295 g	11:20:12 ST +02019.28 g
4	11:21:12 ST *0018.225 g	11:20:39 ST +02232.58 g
5	11:21:17 ST *0018.225 g	11:20:47 ST +02019.27 g
6	11:21:33 ST *0019.467 g	11:23:02 ST +02019.27 g
7	11:21:41 ST *0018.225 g	11:23:09 ST +02019.26 g
8	11:21:51 ST *0018.225 g	11:23:16 ST +01863.45 g
9	11:22:00 ST *0018.224 g	
10	11:22:30 ST *0018.225 g	
11	11:22:33 ST *0018.225 g	
12	11:22:40 ST *0016.293 g	
13	11:22:53 ST *0018.225 g	

FXi-09 Built-in battery unit (Ni-MH rechargeable battery pack)

- Charging time: Approximately 10 hours.
- Continuous operation hours: Approximately 8 hours

Note

The charging time depends on the operating environment. During charging, the balance is not available for use.

FXi-10 Small breeze break

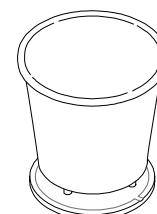
Models the FXi-10 small breeze break can be installed on				
FZ/FX series	120 <i>i</i>	120 <i>i</i> WP	120GD	Standard accessory
	200 <i>i</i>	200 <i>i</i> WP	200GD	
	300 <i>i</i>	300 <i>i</i> WP	300GD	
	500 <i>i</i>			
FZ/FX series	1200 <i>i</i>	1200 <i>i</i> WP	1200GD	Installable
	2000 <i>i</i>	2000 <i>i</i> WP	2000GD	
	3000 <i>i</i>	3000 <i>i</i> WP	3000GD	
	5000 <i>i</i>			

FXi-11 Large breeze break

- Breeze break with greater height. Can be used for all models.
Convenient when a large beaker or measuring cylinder is used and requires more height.

FXi-12 Animal weighing pan

Models the FXi-12 animal weighing pan can be installed on			
FZ series	1200 <i>i</i> , 2000 <i>i</i> , 3000 <i>i</i> , 5000 <i>i</i>	1200 <i>i</i> WP, 2000 <i>i</i> WP, 3000 <i>i</i> WP	1200GD, 2000GD, 3000GD
FX series	1200 <i>i</i> , 2000 <i>i</i> , 3000 <i>i</i> , 5000 <i>i</i>	1200 <i>i</i> WP, 2000 <i>i</i> WP, 3000 <i>i</i> WP	1200GD, 2000GD, 3000GD



- Used for weighing small animals.
- Placing the animal weighing pan on the balance will reduce the weighing capacity by approximately 200 g.

FXi-15-EX Carrying case

- You can carry the FZ-i / FX-i / FZ-iWP / FX-iWP / FZ-GD / FX-GD series balance by placing it in the carrying case.

AX-FXi-31 Main unit cover

- Main unit protective cover provided as a standard accessory.

AD-1654 Density Determination Kit

$$\frac{\text{Weigh in air}}{\text{Weigh in water} - \text{Weigh in the air}} \times \text{water density} = \text{sample density}$$

Example $\frac{10.0000 \text{ g}}{10.0000 \text{ g} - 9.5334 \text{ g}} \times 0.9970 \text{ g/cm}^3 = 21.4 \text{ g/cm}^3$

Temperature	Water density
0 °C	0.99984 g/cm ³
10 °C	0.99970 g/cm ³
20 °C	0.99820 g/cm ³
30 °C	0.99565 g/cm ³

Option

AD-8127: Compact printer

- Small dot impact printer that connects with the balance via the RS-232C interface.
- Statistical function, clock and calendar function, interval print function, graphic print function, dump print mode

AD-1691:Balance environment analyzer

- During the routine inspection, repeatability and the minimum weighing value can be easily checked.
- Also, this calculates measurement uncertainty and supports environmental evaluation of the scale.
- This analyzer can be easily carried to the scale site, so more than one scale can be controlled using this analyzer.

AD-1687: Weighing environment logger

- A data logger equipped with 4 sensors for temperature, humidity, barometric pressure and vibration that can measure and store environmental data. When connected to the RS-232C interface of the balance, the AD-1687 can store environmental data along with weighing data. Therefore, it is possible to store data in an environment where a computer can not be used.
- The stored data can be read to a personal computer using USB. As the AD-1687 is recognized as USB memory, special software is not required to read the data.

AD-1688: Data logger

- When connected to the RS-232C interface of the balance, the AD-1688 can store the data in an environment where a personal computer can not be used.
- The stored data can be read to a personal computer using USB. As the AD-1688 is recognized like USB memory, special software is not required to read the data.

AD-8526: LAN converter

- This option can be used to connect the RS-232C interface of the balance to the Ethernet (LAN) port of a computer. This allows management of the balance weighing data with a computer connected to a network.

AD-8527: Quick USB adapter

AD-8920A: Remote display

- Connected to the GP series using the RS-232C interface.

AD-8922A: Remote controller

- This option can be connected to the balance using the RS-232C interface and can control the balance remotely. Various options such as comparator output or analog output are available.

AX-USB-9/25P-EX: USB converter

- Adds a COM port to a PC.
- Enables bi-directional communication between the PC and the balance when a USB driver is installed.
- Can use serial communication software such as WinCT on a PC without COM ports.
- An RS-232C cable is provided to connect the USB converter to the balance.

AD-1671: Anti-vibration table

- Approximately 24kg, Artificial stone (Terrazzo).
- Use this table when unstable weighing is caused by vibration coming from the floor.
- Use the AD-8922A remote controller to avoid a weighing error by a slight table tilt that key operation may make.

AD-1672: Tabletop breeze break

- Protects the balance from wind from sources such as air conditioning or people passing by, thereby reducing balance weighing error.
- The transparent panel assembly consists of antistatic plastic material that protects the balance from static electricity.

AD-1683: Ionizer

- This ionizer eliminates static electricity to prevent weighing errors caused by electrification during measurement.
- This direct current and windless type is the most suitable for precisely weighing powder, etc.
- Small size, light weight

AD-1684A: Electrostatic field meter

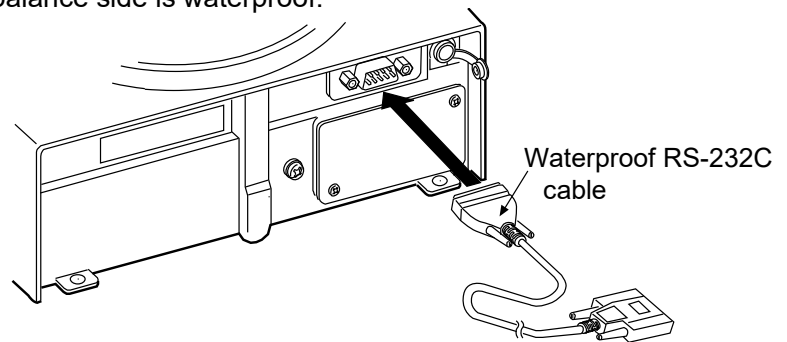
- This option measures the amount of the static charge on the sample, tare or peripheral equipment and displays the result.
- If those are found to be charged, discharge them using the AD-1683 DC static eliminator.

AD-1689: Tweezers for calibration weight

- This option is the same as the tweezers provided as a standard accessory and is used when calibrating the balance using an external weight.

AX-KO2737-500: Waterproof RS-232C cable

- 5m length, D-sub 9 pin-9 pin
- Only the 9-pin connector on the balance side is waterproof.



* Be sure that a waterproof connector is used for the RS-232C interface of the balance.

AD-8529PC-W: Bluetooth converter (for connecting a personal computer)*

- This option connects a personal computer to the balance wirelessly (via Bluetooth®) up to 10 m.
- Driver installation is required.

AD-8529PR-W: Bluetooth converter (for connecting a printer)*

- This option connects a printer to the balance wirelessly (via Bluetooth®) up to 10 m.

22. SPECIFICATIONS

	FZ series							
	120 <i>i/i</i> WP/GD	200 <i>i/i</i> WP/GD	300 <i>i/i</i> WP/GD	500 <i>i</i>	1200 <i>i/i</i> WP/GD	2000 <i>i/i</i> WP/GD	3000 <i>i/i</i> WP/GD	5000 <i>i</i>
Weighing capacity [g]	122	220	320	520	1220	2200	3200	5200
Maximum display [g]	122.084	220.084	320.084	520.084	1220.84	2200.84	3200.84	5200.84
Minimum weighing value [g / digit]	0.001				0.01			
Repeatability [g] (Standard deviation)	0.001				0.01			
Linearity [g]	±0.002				±0.02			
Stabilization time (typical at FAST)	Approx. 1 second							
Sensitivity drift (10°C to 30°C/50°F to 86°F)	±2 ppm/°C							
Accuracy right after calibration using the internal mass. See notes below *	±0.010 g			±0.10 g			±0.15 g	
	The value above is to the weighing capacity.							
Internal mass	Yes							
Clock and calendar function	Yes							
Operating environment	5 °C to 40 °C (41 °F to 104 °F) 85 %RH or less (No condensation)							
Display refresh rate	5 times/second, 10 times/second or 20 times/second							
Counting mode	Minimum unit mass	0.001 g			0.01 g			
	Number of samples	5, 10, 25, 50 or 100 pieces						
Percent mode	Minimum 100% reference mass	0.100 g			1.00 g			
	Minimum 100% display	0.01%, 0.1%, 1% (Depends on the reference mass stored.)						
External calibration weight	100 g 50 g	200 g 100 g 50 g	300 g 200 g 100 g 50 g	500 g 400 g 300 g 200 g 100 g 50 g	1000 g 500 g	2000 g 1000 g 500 g	3000 g 2000 g 1000 g 500 g	5000 g 4000 g 3000 g 2000 g 1000 g 500 g
Weighing pan diameter	130 mm				150 mm			
Net weight	Approx. 3.0 kg (<i>i</i> WP series: approx. 3.2 kg)							
External dimensions	193 (W) x 262.5 (D) x 85.5 (H) mm							
AC adapter	Confirm that the adapter type is correct for the local voltage and power receptacle type							
Power consumption	Approx. 11VA (supplied to the AC adapter)							
Interface	RS-232C							
Dustproof and waterproof specifications (FZ- <i>i</i> WP / FX- <i>i</i> WP series only)	IP65 standard							

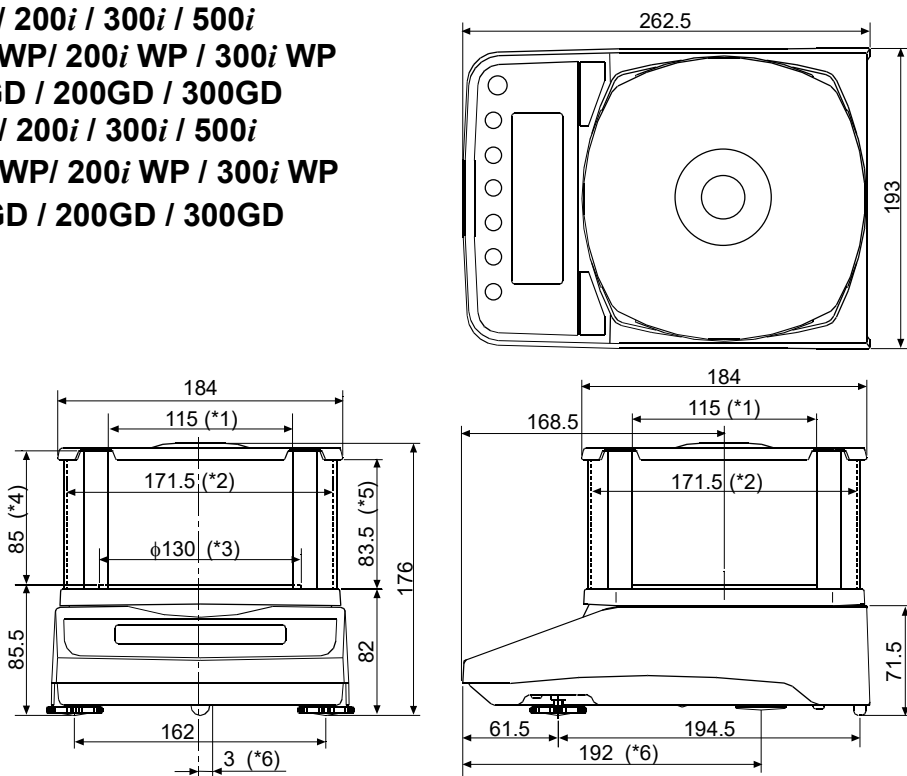
* ● **Accuracy right after calibration using the internal mass, with the accessory breeze break installed and in good ambient conditions (within the temperature range of 10 °C to 30 °C (50 °F to 86 °F) with no abrupt changes in temperature or humidity, no drafts, no vibration and no effect by magnetic fields or static electricity).**

● **With the FZ-*i* / FZ-*i* WP / FZ-GD series balance, the environment and aging may cause internal mass value error. Calibrate using an external mass and perform maintenance regularly.**

	FX series							
	120 <i>i/i</i> WP/GD	200 <i>i/i</i> WP/GD	300 <i>i/i</i> WP/GD	500 <i>i</i>	1200 <i>i/i</i> WP/GD	2000 <i>i/i</i> WP/GD	3000 <i>i/i</i> WP/GD	5000 <i>i</i>
Weighing capacity [g]	122	220	320	520	1220	2200	3200	5200
Maximum display [g]	122.084	220.084	320.084	520.084	1220.84	2200.84	3200.84	5200.84
Minimum weighing value [g / digit]	0.001				0.01			
Repeatability [g] (Standard deviation)	0.001				0.01			
Linearity [g]	±0.002				±0.02			
Stabilization time (typical at FAST)	Approx. 1 second							
Sensitivity drift (10°C to 30°C/50°F to 86°F)	±2 ppm/°C							
Internal mass	No							
Clock and calendar function	No							
Operating environment	5 °C to 40 °C (41 °F to 104 °F) 85 %RH or less (No condensation)							
Display refresh rate	5 times/second, 10 times/second or 20 times/second							
Counting mode	Minimum unit mass	0.001 g			0.01 g			
	Number of samples	5, 10, 25, 50 or 100 pieces						
Percent mode	Minimum 100% reference mass	0.100 g			1.00 g			
	Minimum 100% display	0.01%, 0.1%, 1% (Depends on the reference mass stored.)						
External calibration weight	100 g 50 g	200 g 100 g 50 g	300 g 200 g 100 g 50 g	500 g 400 g 300 g 200 g 100 g 50 g	1000 g 500 g	2000 g 1000 g 500 g	3000 g 2000 g 1000 g 500 g	5000 g 4000 g 3000 g 2000 g 1000 g 500 g
Weighing pan diameter	130 mm				150 mm			
Net weight	Approx. 3.0 kg (<i>i</i> WP series: approx. 2.7 kg)							
External dimensions	193 (W) x 262.5 (D) x 85.5 (H) mm							
AC adapter	Confirm that the adapter type is correct for the local voltage and power receptacle type							
Power consumption	Approx. 11VA (supplied to the AC adapter)							
Interface	RS-232C							
Dustproof and waterproof specifications (FZ- <i>i</i> WP /FX- <i>i</i> WP series only)	IP65 standard							

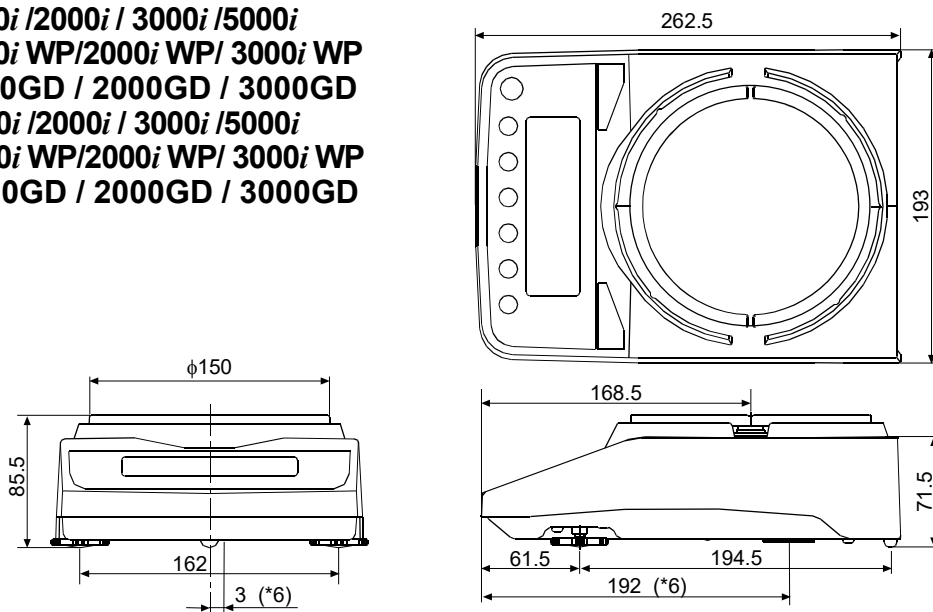
23. EXTERNAL DIMENSIONS

FZ-120i / 200i / 300i / 500i
FZ-120i WP/ 200i WP / 300i WP
FZ-120GD / 200GD / 300GD
FX-120i / 200i / 300i / 500i
FX-120i WP/ 200i WP / 300i WP
FX-120GD / 200GD / 300GD



- *1: Width of the opening when a clear plate is removed
- *2: Inside dimension
- *3: Weighing pan diameter
- *4: Height from the weighing pan up to the cap of the breeze break (Inside dimension)
- *5: Height of the opening when a clear plate is removed
- *6: Area under the floor weighing platform

FZ-1200i / 2000i / 3000i / 5000i
FZ-1200i WP/2000i WP/ 3000i WP
FZ-1200GD / 2000GD / 3000GD
FX-1200i / 2000i / 3000i / 5000i
FX-1200i WP/2000i WP/ 3000i WP
FX-1200GD / 2000GD / 3000GD



Unit: mm

The breeze break is provided as a standard accessory for FZ-1200i / 2000i / 3000i / 5000i / FZ-1200i WP / 2000i WP / 3000i WP / 1200GD / 2000GD / 3000GD.





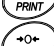



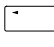
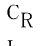
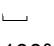
24. TERMS/INDEX

Terms

Stable value	The weight data when the stabilization indicator appears.
Environment	Ambient conditions such as vibration, drafts, temperature, static electricity and magnetic fields which affect the weighing operation.
Calibration	Adjustment of the balance so that it can weigh accurately.
Output	To output the weight data using the RS-232C serial interface.
Zero point	A weighing reference point or the zero display. Usually refers to the value displayed when nothing is on the weighing pan.
Digit	Unit of digital resolution. Used for the balance, a unit of minimum weighing value.
Tare	To cancel the weight of a container which is not included in the weight data.
Mode	Balance operational function.
Re-zero	To set the display to zero.
GLP	Good Laboratory Practice.
Repeatability	Variation in measured values obtained when the same weight is placed and removed repetitively. Usually expressed as a standard deviation. e.g. Standard deviation=1 digit: This means that measured values fall within ± 1 digit in the frequency of about 68%.
Stabilization time	Time required after a sample being placed, until the stabilization indicator illuminates and the weight data is displayed.
Sensitivity drift	An affect that a change in temperature causes to the weight data. Expressed as temperature coefficient. e.g. Temperature coefficient = 2 ppm/ $^{\circ}$ C : If a load is 300 g and the temperature changes by 10 $^{\circ}$ C, the value displayed changes by the following value. $0.0002\%/^{\circ}$ C x 10 $^{\circ}$ C x 300 g = 6 mg
IP65	IP code: Degree of protection provided by enclosures. 6: Dust-tight. No ingress of dust. 5: Protect against water jets.

Index

Keys and symbols

 ON/OFF key	13
 SAMPLE key	13
 MODE key	13
 CAL key	13
 PRINT key	13
 RE-ZERO key	13
 Stabilization indicator	13
 Interval output mode active indicator	13
 Interval output mode standby indicator	13
 Processing indicator	13
C_R CR	50
L_F LF	50
 Space	50
100% reference mass	22
25-pcs	80
50-pcs	80
100-pcs	80

A

A&D standard format	44, 48
AC adapter	8, 9
AC adapter ID label	8
AC adapter jack	8
ACAI	21
AD-1654	83
AD-1671	85
AD-1672	85
AD-1683	11, 12
AD-1683	85
AD-1684A	85
AD-1687	84
AD-1688	84
AD-1689	85
AD-1691	84
AD-8121B	71
AD-8126	70
AD-8127	70, 73
AD-8127	84
AD-8526	84
AD-8527	84
AD-8529PC-W	86
AD-8529PR-W	86
AD-8920A	84
AD-8922A	84

AK	75
Animal mode indicator	13
Animal weighing pan	83
AP_{FnC} Application	23, 44
$AP-b$ Auto print difference	43, 71
APF Application function	23, 44
$AP-P$ Auto print polarity	43, 71
Application	23, 44
Application function	23, 44
$Ar-d$ Zero after output	43
$At-F$ Auto feed	43
Auto display-OFF	42, 46
Auto display-ON	42, 46
Auto feed	43
Auto print difference	43
Auto print mode A	43, 47
Auto print mode B	43, 47
Auto print polarity	43
AUE Average	26
Average	23, 26, 44
AX-FXi-31	83
AX-KO2737-500 Waterproof RS-232C cable	78, 86
AX-USB-9/25P-EX USB converter	85

B

$bASFnC$ Environment display	16, 42
Balance software version	68
Baud rate	44, 69, 71
$bEEP$ Beep	42
bEP^+ HI buzzer	42
bEP_- LO buzzer	42
bEP^- OK buzzer	42
bPS Baud rate	44, 71
Breeze break	7
bEP_r Data bit, parity bit	44, 71
Bubble spirit level	7, 9, 10
Built-in battery unit	82

C

$[AL E]$ Calibration weight error	80
$-[AL E]$ Calibration weight error	80
CAL key	13
Calibration	5, 13, 31, 33, 38, 55, 80, 90
Calibration report	34, 55
Calibration test	31, 35, 55
Calibration test report	36, 55

Calibration weight	31
<i>ErnCEL</i>	26
Capacity indicator	13, 44, 51
Carrying case	83
<i>EL Add</i> Clock	42
<i>LEAR</i>	26
Coefficient of variation	23, 26, 44
Command list	74
Comparator function	53
Comparator indicators	13
Comparator mode	42
<i>Cond</i> Condition	42, 45
Condition	45
Counting mode	20
<i>CP</i> Comparator mode	42
<i>CP Fnc</i> Comparator	42
<i>CP Hi</i> Upper limit	43
<i>CP Lo</i> Lower limit	43
<i>erLF</i> Terminator	44, 71
<i>IS in 1</i> Internal mass value correction	45
<i>IS in 2</i> Internal mass value correction	45
CSV format	44, 49
<i>CV</i> Coefficient of variation	26

D

Data bits	69
Data format	44
Data output mode	43
Data output pause	43
Date	50
DC static eliminator	11, 12
DCE	69, 72
Decimal point	42, 46
Density Determination Kit	83
Diaphragm for waterproof	7
Digit	42, 46, 90
Display at start	42
Display refresh rate	42, 46, 87, 88
<i>data</i> Data output	43
DP format	44, 48
DTE	69
Dustproof and waterproof specifications	87, 88

E

-E	80
EC, E00	81
EC, E01	81
EC, E02	81

EC, E03	81
EC, E04	81
EC, E06	81
EC, E07	81
EC, E11	80
EC, E20	80
EC, E21	80
EC, E17	80
End block	58
<i>ErEd</i> Error code	44
<i>Error 0</i>	81
<i>Error 1</i>	80
Error code	44
<i>Error 1</i>	80
<i>Error 2</i>	80
Ethernet interface	82
External calibration weight	87, 88
External dimensions	87, 88, 89

F

FAST	30
FCC	6
Function table	41
<i>FXi-02</i>	73, 82
<i>FXi-08</i>	82
<i>FXi-09</i>	82
<i>FXi-10</i>	83
<i>FXi-11</i>	83
<i>FXi-12</i>	83
<i>FXi-15</i>	83

G

GLP	55
GLP output	31, 34, 35, 43, 56
GMP	55
Grounding terminal	8

H

HI buzzer	42
<i>Hold</i> Hold function	42, 45
Hold function	42, 45

I

<i>id</i> ID number	44
ID number	44, 55
ID number output	43
<i>info</i> GLP output	43

Inhibit.....	39
Initializing the Balance.....	40
<i>int</i> Interval time.....	43
Internal mass value correction.....	45
Interval output mode.....	43, 48
Interval output mode active indicator.....	13
Interval output mode standby indicator.....	13
Interval time.....	43
IP65.....	11, 87, 88, 90

K

Key mode.....	43, 47
Key mode B.....	43, 47
Key mode C.....	43, 47
KF format.....	44, 49

L

Large breeze break.....	83
<i>Lb</i>	81
Leveling foot.....	7, 9, 10
Linearity.....	87, 88
<i>Lo</i>	80
LO buzzer.....	42
<i>Loc no</i>	44, 66
<i>Loc Fnc</i>	44, 61
Lower limit value.....	53

M

Main unit cover.....	8, 83
MAX Maximum.....	26
MAX%	26
Maximum.....	23, 26, 44
Maximum display.....	87, 88
MID	30
MIN Manimum.....	26
MIN%	26
Minimum.....	23, 26, 44
Minimum 100% display.....	87, 88
Minimum 100% reference mass.....	87, 88
Minimum unit mass.....	87, 88
Minimum weighing value.....	87, 88
<i>mlt</i> Programmable-unit.....	44
MODE key.....	13, 15, 16, 18
MT format.....	44, 49

N


NU format.....	44, 49
----------------	--------

Number of data.....	23, 44
---------------------	--------

O

OK buzzer.....	42
ON:OFF key.....	13, 40
Operating environment.....	87, 88

P

<i>PR55</i>	44, 61
Pan support.....	7
Pan support boss.....	7
Parity.....	69
	20
Percent Mode.....	22
Permit.....	39
<i>Pnt</i> Decimal point.....	42, 46
<i>PoFF</i> Auto display-OFF.....	42, 46
<i>P-on</i> Auto display-ON.....	42, 46
Power consumption.....	87, 88
PRINT key.....	13, 16
Printer.....	70, 71
Processing indicator.....	13
Programmable unit.....	44, 60
<i>Prt</i> Data output mode.....	43, 71
<i>PUSE</i> Data output pause.....	43, 71

R

R Range.....	26
Range.....	23, 26, 44
Relative error of maximum value.....	26
Relative error of minimum value.....	26
Repeatability.....	87, 88
Response indicators.....	13, 30
RE-ZERO key.....	11, 13
<i>rnG</i> Display at start.....	42
RS-232C serial interface.....	8, 69, 72
RsCom.....	72
RsKey.....	72
RsWeight.....	72
<i>rtcPF</i>	81

S

SAMPLE key.....	13, 16
SD Standard deviation.....	26
Sensitivity drift.....	87, 88
Serial number.....	8
<i>S-id</i> ID number output.....	43

<i>SIF</i> Serial interface.....	44
SLOW	30
Small breeze break.....	83
<i>SPd</i> Display refresh rate.....	42, 46
Stability band width.....	42, 45
Stabilization indicator.....	13, 16
Stabilization time.....	87, 88
Standard deviation.....	23, 26, 44
Standby indicator.....	13
<i>STRF</i> Statistical function mode output items.....	24, 44
Statistical calculation mode.....	5, 23, 24, 25, 44, 51
Statistical function mode output items.....	44
<i>St-b</i> Stability band width.....	42, 45
<i>St-d</i> Time/Date output.....	43
Stop bit.....	69
Stream mode.....	43, 47
SUM Sum.....	26
Sum.....	23, 26, 44

T

Tare.....	17, 18, 20, 22, 29
Terminal cover.....	8, 78
Terminator.....	44
Time.....	50
Time/Date output.....	43
Timeout.....	45
Title block.....	58
Transmission form.....	69

Transmission rate.....	69
Transmission system.....	69
<i>trc</i> Zero tracking.....	42, 46
<i>t-UP</i> Timeout.....	44
<i>tYPE</i> Data format.....	44, 71

U

Underhook.....	59
<i>Unit</i> Unit.....	44
Unit.....	44
Units.....	13, 14, 16
Upper limit value.....	53
USB interface.....	82

W

Waterproof diaphragm.....	78
Waterproof RS-232C cable.....	78
Weighing.....	17
Weighing capacity.....	11, 51, 80, 87, 88
Weighing pan.....	7
Weighing pan diameter.....	87, 88
Weighing units.....	14
WinCT.....	72

Z

Zero after output.....	43
Zero tracking.....	42, 46

THIS PAGE INTENTIONALLY LEFT BLANK.



A&D Company, Limited

3-23-14 Higashi-Ikebukuro, Toshima-ku, Tokyo 170-0013, JAPAN
Telephone: [81] (3) 5391-6132 Fax: [81] (3) 5391-1566

A&D ENGINEERING, INC.

47747 Warm Springs Blvd, Fremont, California 94539, U.S.A.
Tel: [1] (800) 726-3364 Weighing Support:[1] (888) 726-5931 Inspection Support:[1] (855)
332-8815

A&D INSTRUMENTS LIMITED

Unit 24/26 Blacklands Way, Abingdon Business Park, Abingdon, Oxfordshire OX14 1DY United Kingdom
Telephone: [44] (1235) 550420 Fax: [44] (1235) 550485

A&D AUSTRALASIA PTY LTD

32 Dew Street, Thebarton, South Australia 5031, AUSTRALIA
Telephone: [61] (8) 8301-8100 Fax: [61] (8) 8352-7409

A&D KOREA Limited

한국에이.엔.디(주)
서울특별시 영등포구 국제금융로6길33 (여의도동) 맨하탄빌딩 817 우편 번호 07331
(817, Manhattan Bldg., 33. Gukjegeumyung-ro 6-gil, Yeongdeungpo-gu, Seoul, 07331 Korea)
전화: [82] (2) 780-4101 팩스: [82] (2) 782-4264

ООО A&D RUS

ООО "Эй энд Ди Рус"
Почтовый адрес:121357, Российская Федерация, г.Москва, ул. Вереysкая, дом 17
Юридический адрес: 117545, Российская Федерация, г. Москва, ул. Дорожная, д.3, корп.6, комн. 86
(121357, Russian Federation, Moscow, Vereyskaya Street 17)
тел.: [7] (495) 937-33-44 факс: [7] (495) 937-55-66

A&D Instruments India Private Limited

ऐ&डी इन्स्ट्रुमेंट्स इण्डिया प्रा० लिमिटेड
D-48, उद्योग विहार , फेस -5, गुडगांव - 122016, हरियाणा , भारत
(D-48, Udyog Vihar, Phase-V, Gurgaon - 122016, Haryana, India)
फोन : [91] (124) 4715555 फैक्स : [91] (124) 4715599

A&D SCIENTECH TAIWAN LIMITED. A&D台灣分公司 艾安得股份有限公司

台灣台北市中正區青島東路5號4樓
(4F No.5 Ching Tao East Road, Taipei Taiwan R.O.C.)
Tel : [886](02) 2322-4722 Fax : [886](02) 2392-1794

A&D INSTRUMENTS (THAILAND) LIMITED

บริษัท เอ แอนด์ ดี อินสตรูमेंท์ (ไทยแลนด์) จำกัด
168/16 หมู่ที่ 1 ตำบลรังสิต อำเภอธัญบุรี จังหวัดปทุมธานี 12110 ประเทศไทย
(168/16 Moo 1, Rangsit, Thanyaburi, Pathumthani 12110 Thailand)
Tel : [66] 20038911