



LN SERIES

Laminar Airflow Cabinets



LN series vertical laminar airflow cabinets are designed for the applications with non-hazardous materials in particle free environment and offer complete product protection.

LN series LAF cabinets are ideal for handling non-pathogenic samples, cell and tissue cultures. They are mostly used in microbiology and research laboratories in universities, hospitals and pharmaceutical, food, beverage, dairy, electronics and optic industries and in many other areas where product protection is essential.



CAREFULLY DESIGNED BODY

- Outer body made of epoxy-polyester powder coated steel
- Stainless steel working table for easy cleaning and decontamination
- Partially recirculated HEPA filtered air to prolong the lifetime of HEPA and pre-filters
- Reduced air blow to the operator by means of recirculation
- Optional front enclosure with UV light

SAFETY FOR VALUABLE PRODUCTS

- Reliable microprocessor control system for safe operations
- Continuously controlled airflow speed which is always kept at $0,40 \pm 20\%$ m/sec.
- Automatic speed compensation system against clogged HEPA filter
- Large LED display to follow airflow speed easily
- Audible and visible alarm system for low or high airflow speed
- Gas spring assisted window compressing to the seal for perfect air tightness
- No risk of wearing out of the window seal because of a sliding window
- Front enclosure with UV light for perfect decontamination of working table without disturbing laminar airflow during operation
- Separate hour counters for the UV light operation and filter life



SIMPLICITY OF USAGE

- No need for any adjustment due to the advanced microprocessor control system
- Easy to use control panel including keys and alarm LEDs for the functions of the cabinet
- Control of UV light automatically for a duration of 15 minutes

COMFORT FOR THE OPERATIONS

- Low noise level by means of very silent blower and plenum design
- The lamp placed outside the cabinet not to disturb laminar airflow
- Powerful glare-free lighting
- No harsh reflection due to white interior surface
- The limited depth allowing the cabinets pass easily from the entrance of the laboratories for easy installation



EASE OF MAINTENANCE

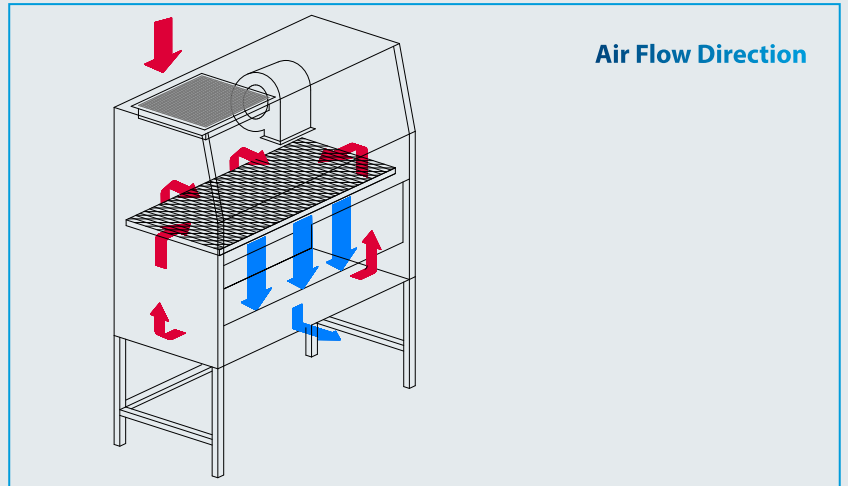
- Smooth chamber walls and rounded corners for easy decontamination and cleaning
- White epoxy-polyester powder coated walls resisting decontamination reagents and UV light
- Fully opened window for easy decontamination and cleaning of the interior of window without spending time and effort
- Easy access to pre and HEPA filters for replacement

TECHNICAL SPECIFICATIONS

	LN 090	LN 120
HEPA Filters	99,999% Efficiency for Particles $\geq 0,3\mu\text{m}$ (H14 class according to EN 1822)	
Pre Filter	85% Efficiency for Particles $\geq 0,5\mu\text{m}$ (G14 class according to EN 779)	
Cabinet	Epoxy Polyester Painted Cold Rolled Steel Sheet (2 mm.)	
Working Table	304 Stainless Steel	
Airflow Speed Control	Microprocessor Control System with LED Display and Automatic Speed Compensation for increasing Filter Resistance	
Blower	High Efficiency Centrifugal Type with Lifetime Lubricated Bearings	
Light	High Efficiency, Low Voltage ≥ 800 lux	
Noise Level	< 60 dBA	
Standard Accessories	Hour Counter, 2 pcs. Main Power Socket (2,5 A)	
Power Supply	230 V, 50 Hz.	
Power Consumption	760 W	
Internal Dimensions (WxDxH) mm.	890x630x630	1140x630x630
External Dimensions (WxDxH) mm.	1050x790x1390	1380x790x1390
Packing Dimensions (WxDxH) mm.	1150x850x1500	1450x850x1500
Net / Packed Weight, kg.	165 / 190	185 / 218

ACCESSORIES

S 17 004	Support stand for LN 090
S 17 003	Support stand for LN 120
M 08 022	Gas valve
M 08 020	Vacuum valve
K 04 266	Front enclosure with U.V. Light for LN 090
K 04 267	Front enclosure with U.V. Light for LN 120



NUVE SANAYİ MALZEMELERİ İMALAT VE TİCARET A.Ş.

Saracalar Mah. Saracalar Kümeevleri No: 4/2 Akyurt 06750 ANKARA / TURKEY t. +90 312 399 28 30 f. +90 312 399 21 97
nuve.com.tr sales@nuve.com.tr

ISO 9001: 2015
 ISO 13485: 2016
 ISO 45001: 2018

