

Specifications

Model	LF 225DR	LF 224R
Capacity	92g / 220g	220g
Read-out (d)	0.01mg / 0.1mg	0.1mg
Repeatability (sd.)	0.02mg / 0.1mg	0.1mg
Non-Linearity (typ.)	± 0.03mg / 0.2mg	± 0.2mg
Stabilization time (typ.)	5 sec. / 3 sec.	3 sec.
Pan size	80mm dia.	
Calibration	with internal & external weight	
Dimensions	210 × 320 × 335 mm	
Weights	Approx. 5.5kg	



LF Series
SEMI-MICRO & ANALYTICAL BALANCE



Options

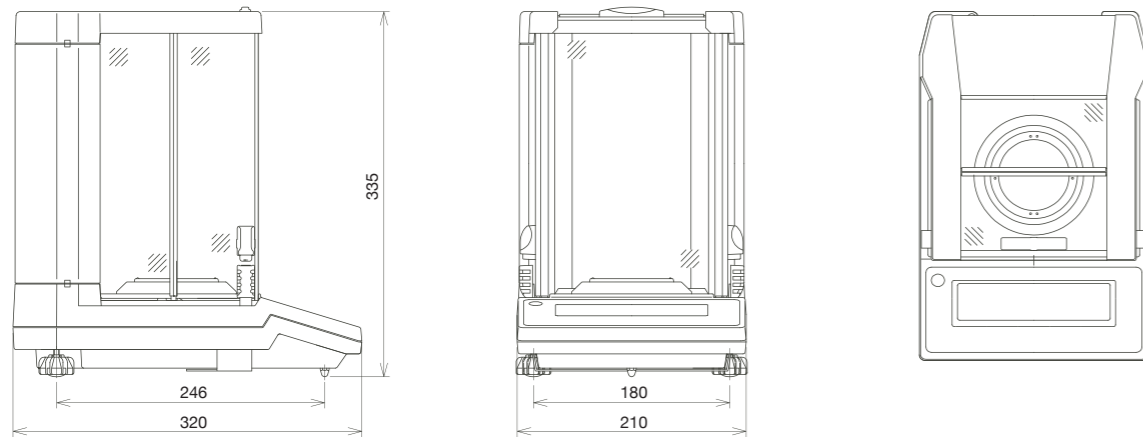
LFDK Density measurement kit

The density of the object can be measured by the difference between the weight in the air and that in the water. VIBRA LF series has the function to automatically calculate the density from this difference. The option "Density measurement kit" is available to make this operation easier.

Power source: AC 110/240V DC 5.9V
 Output: RS232C (D-sub 9p) , USB
 Measuring system: Electro-magnetic force compensation sensor
 Tare: Full weighing range
 Display: Back-lit LCD (brightness adjustable in three levels)

Dimensions

■ LF-225DR (CE)



**For Lab Professionals
who Create the Distinguished Achievements**

SHINKO DENSHI CO., LTD.

SHINKO DENSHI CO., LTD.
 1-52-1 ITABASHI, ITABASHI-KU, TOKYO 173-0004
 TEL : 81-3-5944-1643 FAX : 81-3-6905-5526
 URL : <https://www.vibra.co.jp/global/>
 E-mail : shinko-denshi@vibra.co.jp

Distributed by:



SHINKO DENSHI CO., LTD.

Semi-Micro & Analytical Balance

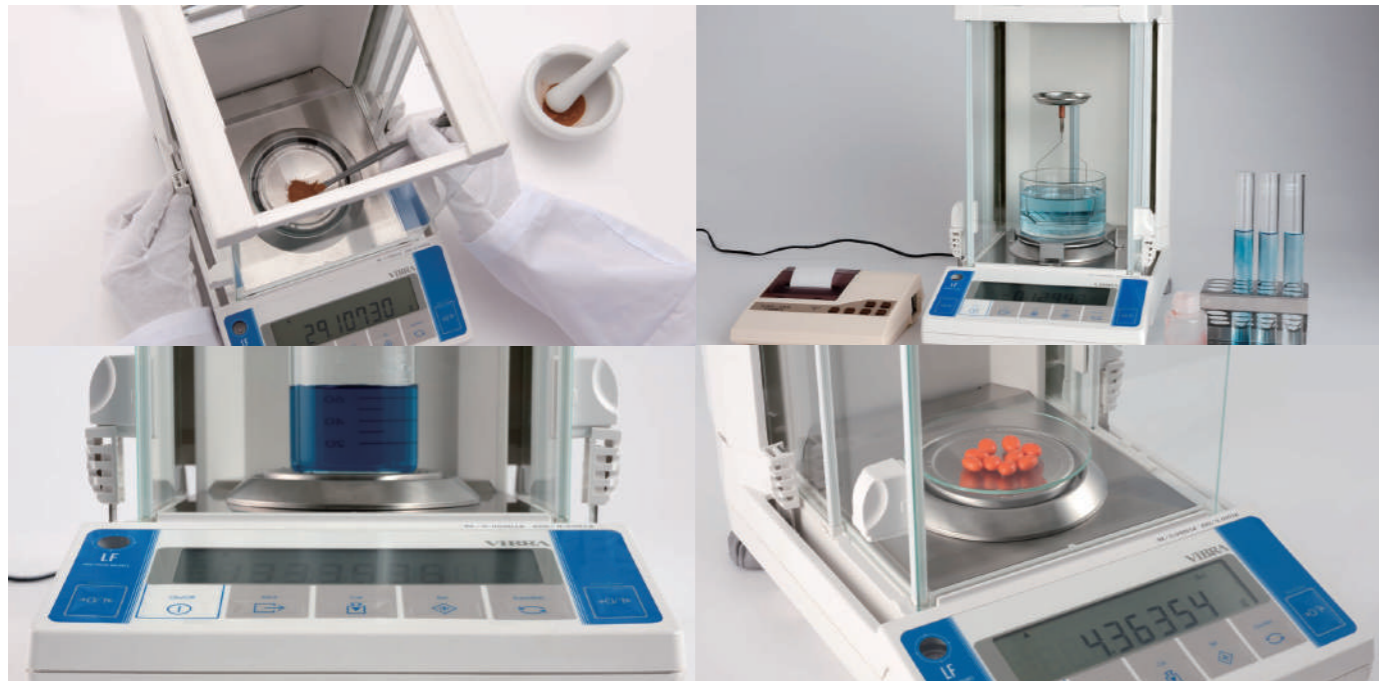
**VIBRA®
LF
Series**



For Lab Professionals who Create the Distinguished Achievement

VIBRA LF series provides all lab professionals need for dairy weighing works. With 0.01mg readability up to 92g weighing range and 0.1mg up to 220g, the user can experience reliable measurement operation in wide range of weighing applications ... simple

weight measurement, percentage weighing, density measurement, etc ... In every scene, VIBRA LF series promises excellent weighing performance which leads lab professionals to distinguished achievements.



Cross-Over sliding windshield



VIBRA LF series is equipped with "cross-over sliding" windshield which enables the user to open the right-side door by left-side knob, vice versa. The user can handle the weighing sample with right hand while he/she operates the door with left hand. It makes weighing operation in lab routines less time-consuming.

The laboratory/factory environment is changing every moment, and it affects the conditions of balance. In α -check system, VIBRA LF series gives diagnosis menu of its own conditions. Among check-items repeatability is the most fundamental parameter in laboratory balance, and the user can easily check it in this system.

α -Check



Easy RES

Stability and response speed should be correctly chosen according to environment and weighing objects. "Easy RES" offers the balance users very easy and simple way to change response speed. He/she can change response speed in three levels just with out-touch of SET key.



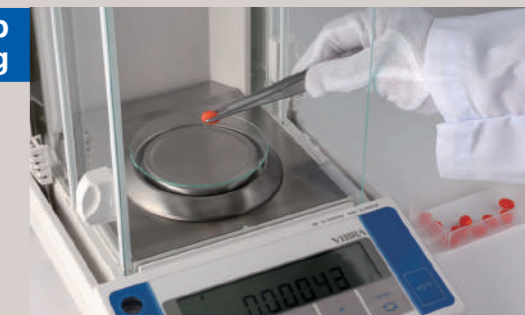
Se-CAL

Bright LCD back light

With clear and bright back-lit LCD, the user can easily read the indication in the display. It reduces the reading errors. The brightness of back-lit can be adjusted in three levels.

The regular calibration is highly important to assure the reliable weighing result. "Se-CAL" function in VIBRA LF series performs automatic calibration. When elapsed time or temperature shift reach to defined value, "Se-CAL" carries out the calibration fully automatically. The calibration record can be stored in the balance and output later on.

Statistics for lab and manufacturing



Not only individual weighing result but also statistic values are frequently required in lab and manufacturing process. VIBRA LF series provides both of them. It has the function to automatically calculate the various statistical data, and to easily output to printer and PC.

Connection to outside devices

VIBRA LF series has RS232C and USB output as standard and can be easily connected to the printer, PC and other outside devices. You can record the weighing results in printed and/or electric forms.

