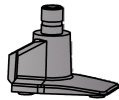



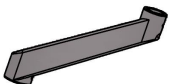
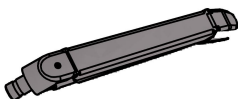


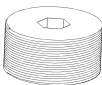

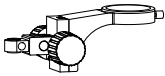

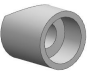


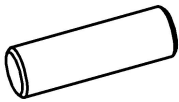

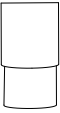



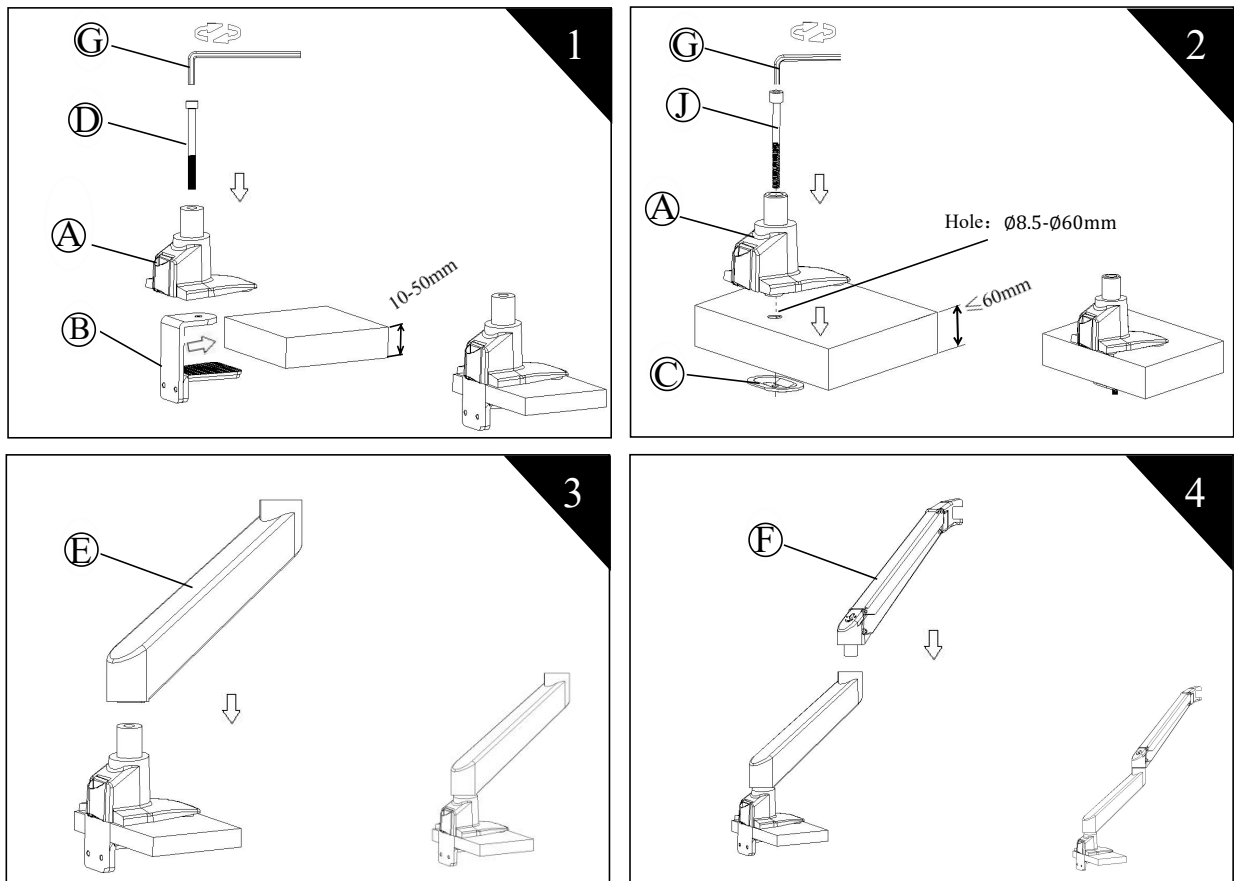
Installation Instructions - KERN Stereo Universal Set

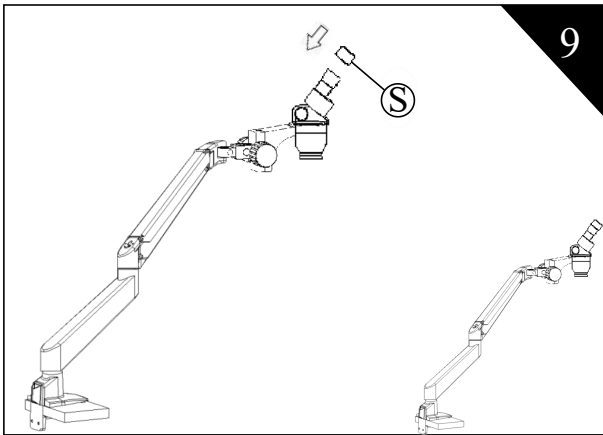
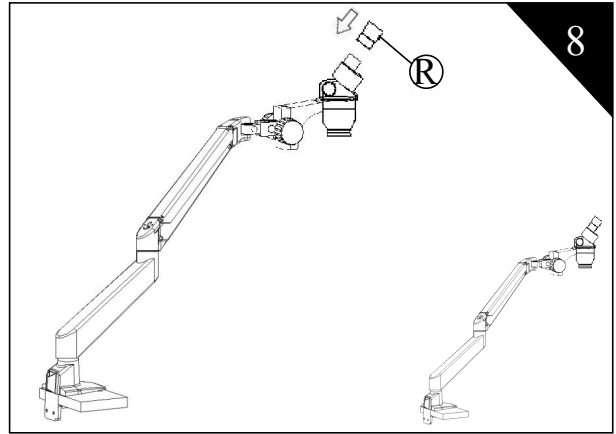
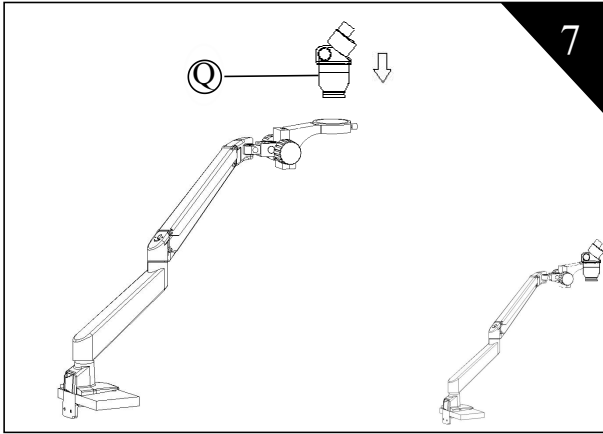
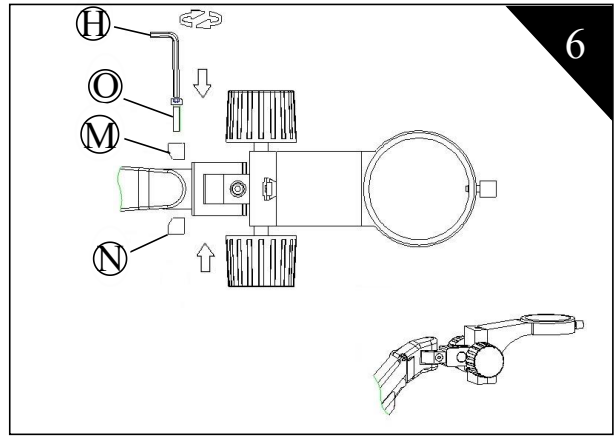
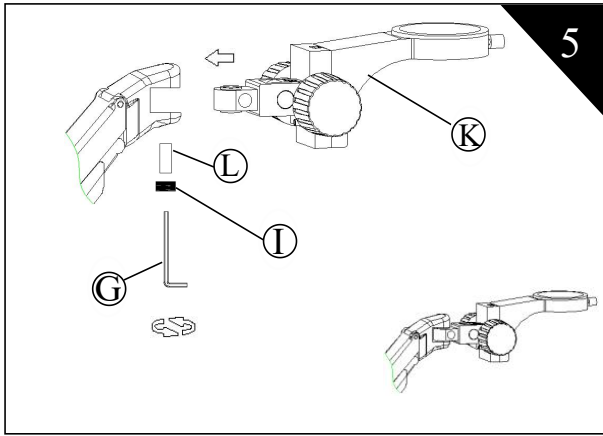
1.Part List

NO.	ITEM	SPECS	QUANTITY
A		Table Clamp	1
B		U Clamp	1
C		Pressing Plate	1
D		M8*90 Hexagon Socket Cap Head Screw	1
E		First Arm	1
F		Spring Arm (without Head Swing Component)	1
G		Internal Hexagonal Wrench(6mm)	1
H		Internal Hexagonal Wrench(4mm)	1
I		M20*10 Hex Socket Set Screw with Flat Point	1
J		M8*160 Hexagon Socket Cap Head Screw	1
K		Focusing Component	1

L		Φ12*31 Parallel Pin	1
M		Latch Segment 2	1
N		Latch Segment 1	1
O		M5*20 Hexagon Socket Head Cap Screw	1
P		Φ4*13 Parallel Pin	1
Q		Microscope Head	1
R		Eyepiece	2
S		Eyepiece Protective Cap	2

2.Install Procedure





3. Rotation Limit

