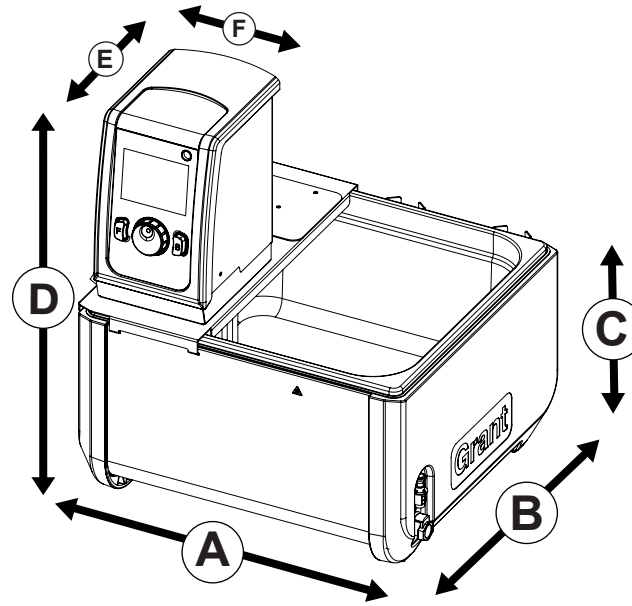


Overall dimensions



Please note images are for representation purposes only

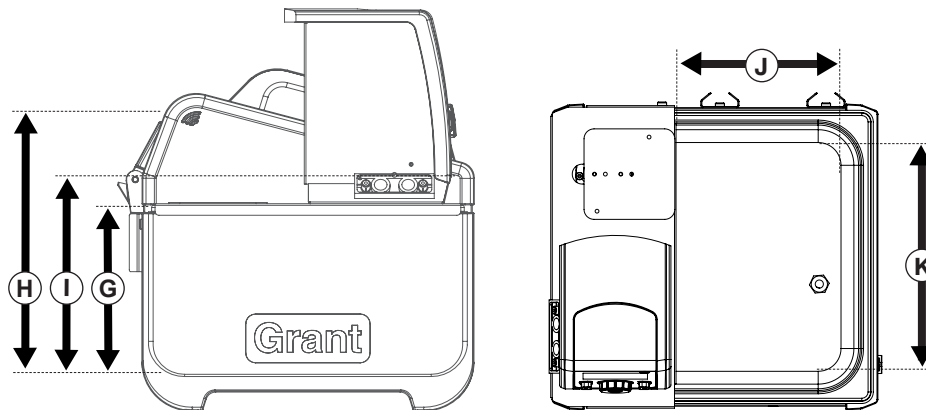
Packed weight: Tank: 10kg
Thermostat: 4kg
Total: 14kg

Product weight: Tank: 7.5kg
Thermostat: 2.8kg
Total: 10.3kg

Packed dimensions (h x w x d):
Thermostat: 310mm x 440mm x 200mm
Tank: 420mm x 690mm x 420mm

Product dimensions: A 535mm
B 335mm
C 265mm
D 465mm
E 172mm
F 120mm

Working area



Can be used with or without circulation tray provided (height 14mm)

H	300mm
G	200mm
I	230mm
J	360mm
K	250mm

Measurements without circulation tray

Please note images are for representation purposes only

Vessel capacity with tank lid

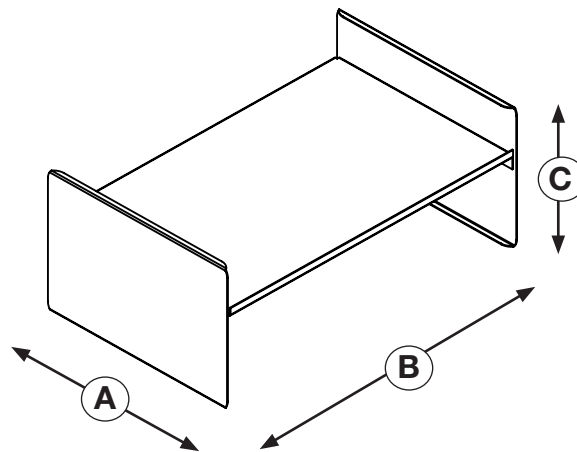
	Diameter	Height	Max. no in bath
Duran 21-801: 100ml	56mm	105mm	28s
Duran 21-801: 150ml	62mm	110mm	20
Duran 21-801: 250ml	70mm	143mm	18
Duran 21-801: 500ml	86mm	181mm	12
Duran 21-801: 750ml	95mm	203mm	9s
Duran 21-801: 1000ml	101mm	230mm	8s
Duran 21-801: 2000ml	136mm	265mm	0

Vessel capacity without tank lid

	Diameter	Height	Max. no in bath
Duran 21-801: 100ml	56mm	105mm	28s
Duran 21-801: 150ml	62mm	110mm	20
Duran 21-801: 250ml	70mm	143mm	18
Duran 21-801: 500ml	86mm	181mm	12
Duran 21-801: 750ml	95mm	203mm	9s
Duran 21-801: 1000ml	101mm	230mm	8s
Duran 21-801: 2000ml	136mm	265mm	4s

s - staggered to fit maximum number

Raised shelves dimensions

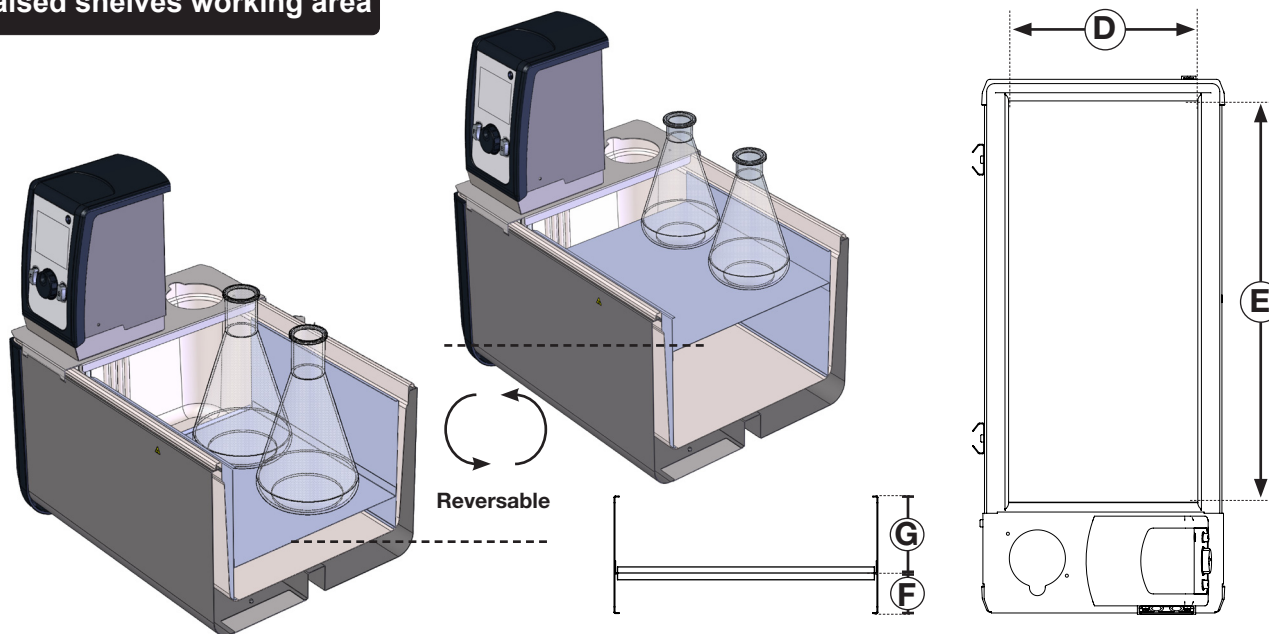


Please note images are for representation purposes only

RS28 raised shelf dimensions:

- A 330mm
- B 267mm
- C 180mm

Raised shelves working area



D	257mm
E	330mm
F	45mm
G	134mm

ST26 tank accommodates 1 x RS28

Minimum liquid depth 125mm, to submerge at lower level depth use the raised shelf

Please note images are for representation purposes only