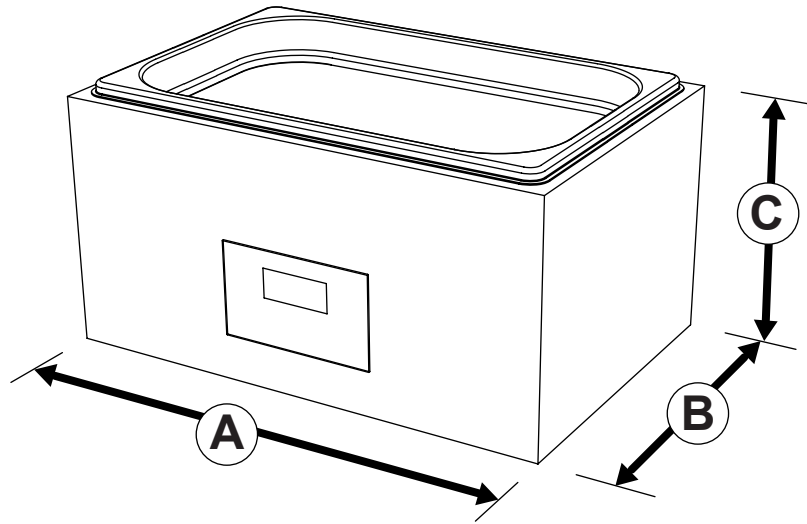


Overall dimensions

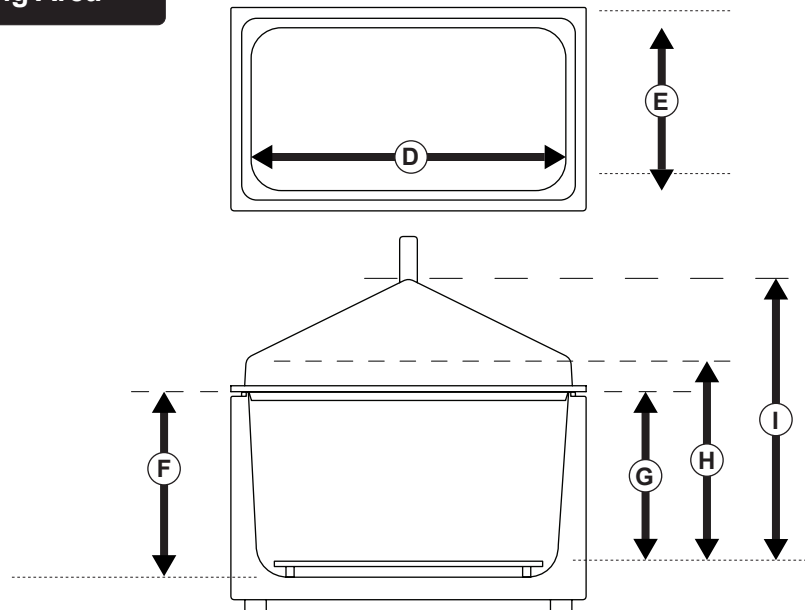


Packed weight: 4kg
Product weight: 3kg

Packed dimensions;
A 445mm
B 325mm
C 300mm

Product dimensions;
A 335mm
B 215mm
C 200mm

Working Area



D	298mm (at opening)
D	281mm (at tray height)
E	148mm (at opening)
E	131mm (at tray height)
F	150mm
G	132mm
H	150mm
I	191mm

Vessel capacity with tank lid

	Diameter	Height	Max. no in bath
Duran 21-801: 100ml	56mm	105mm	8
Duran 21-801: 150ml	62mm	110mm	8
Duran 21-801: 250ml	70mm	143mm	6s
Duran 21-801: 500ml	86mm	181mm	0
Duran 21-801: 750ml	95mm	203mm	0
Duran 21-801: 1000ml	101mm	230mm	0
Duran 21-801: 2000ml	136mm	265mm	0

Vessel capacity without tank lid

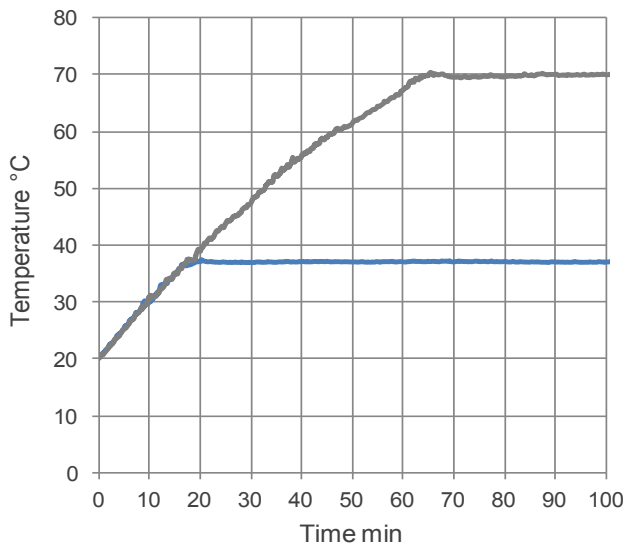
	Diameter	Height	Max. no in bath
Duran 21-801: 100ml	56mm	105mm	8
Duran 21-801: 150ml	62mm	110mm	8
Duran 21-801: 250ml	70mm	143mm	6s
Duran 21-801: 500ml	86mm	181mm	3
Duran 21-801: 750ml	95mm	203mm	2
Duran 21-801: 1000ml	101mm	230mm	2
Duran 21-801: 2000ml	136mm	265mm	0

s - staggered to fit maximum number

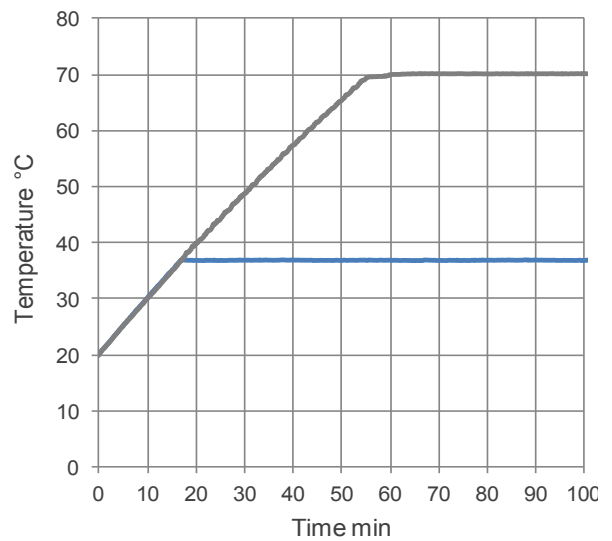
Typical performance data

Heat up time

Without lid



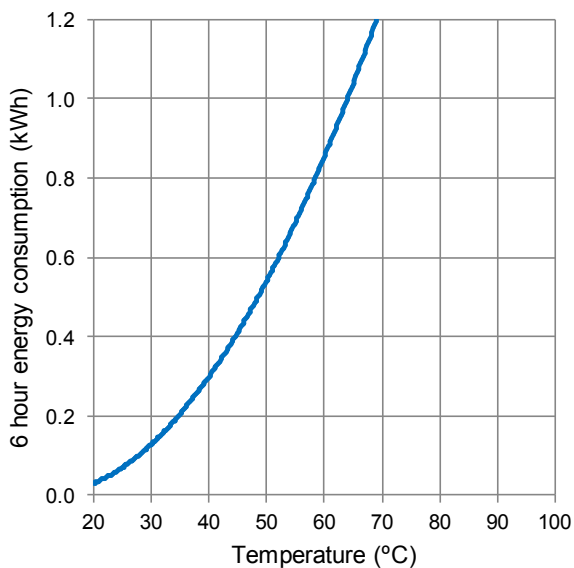
With lid



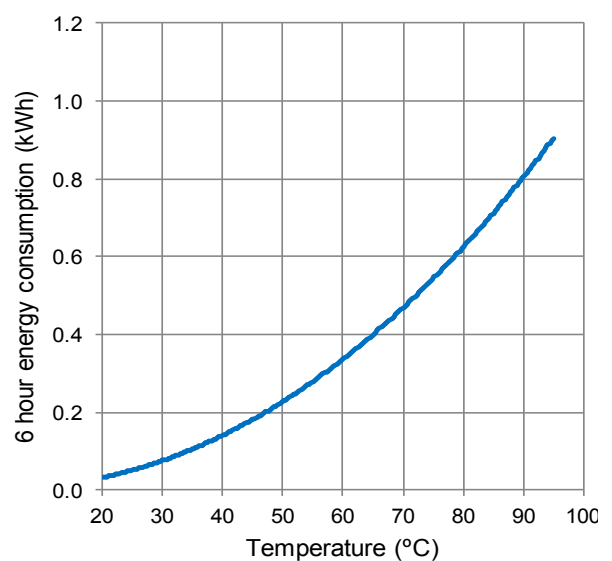
Heat up time from 20°C

Energy consumption

Without lid



With lid



Consumption is measured over a 6 hour period when the bath is controlling at set temperature. All figures are for guidance only. Consumption figures may vary due to factors such as ambient temperature, vessel loading and ventilation.