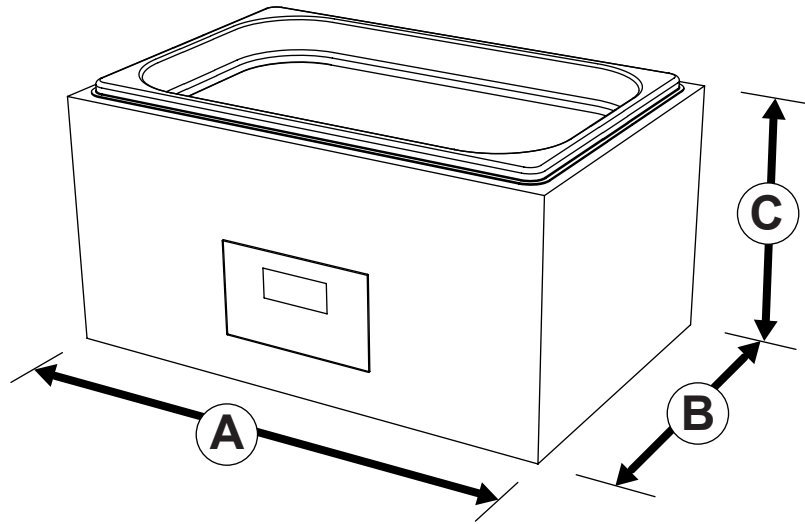


Overall dimensions

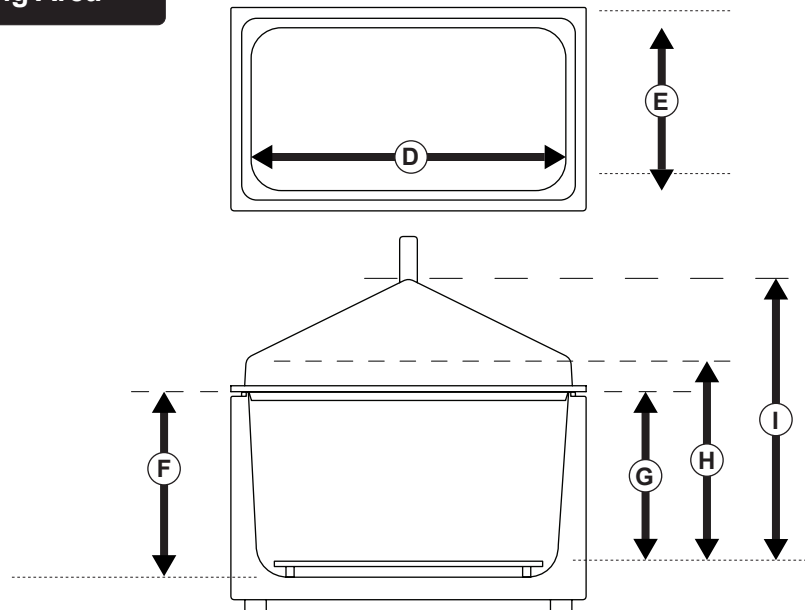


Packed weight: 11kg
Product weight: 9kg

Packed dimensions;
A 445mm
B 700mm
C 375mm

Product dimensions;
A 335mm
B 590mm
C 275mm

Working Area



D	298mm (at opening)
D	281mm (at tray height)
E	501mm (at opening)
E	485mm (at tray height)
F	150mm
G	132mm
H	150mm
I	234mm

Vessel capacity with tank lid

	Diameter	Height	Max. no in bath
Duran 21-801: 100ml	56mm	105mm	37s
Duran 21-801: 150ml	62mm	110mm	28
Duran 21-801: 250ml	70mm	143mm	24s
Duran 21-801: 500ml	86mm	181mm	10
Duran 21-801: 750ml	95mm	203mm	5s
Duran 21-801: 1000ml	101mm	230mm	0
Duran 21-801: 2000ml	136mm	265mm	0

Vessel capacity without tank lid

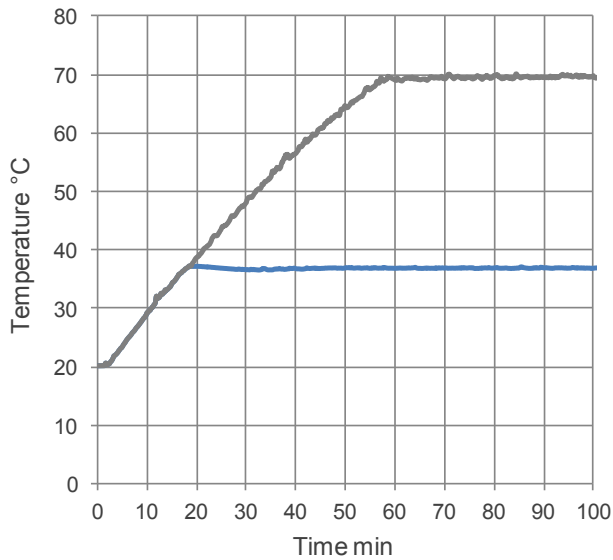
	Diameter	Height	Max. no in bath
Duran 21-801: 100ml	56mm	105mm	37s
Duran 21-801: 150ml	62mm	110mm	28
Duran 21-801: 250ml	70mm	143mm	24s
Duran 21-801: 500ml	86mm	181mm	15
Duran 21-801: 750ml	95mm	203mm	12s
Duran 21-801: 1000ml	101mm	230mm	12s
Duran 21-801: 2000ml	136mm	265mm	6

s - staggered to fit maximum number

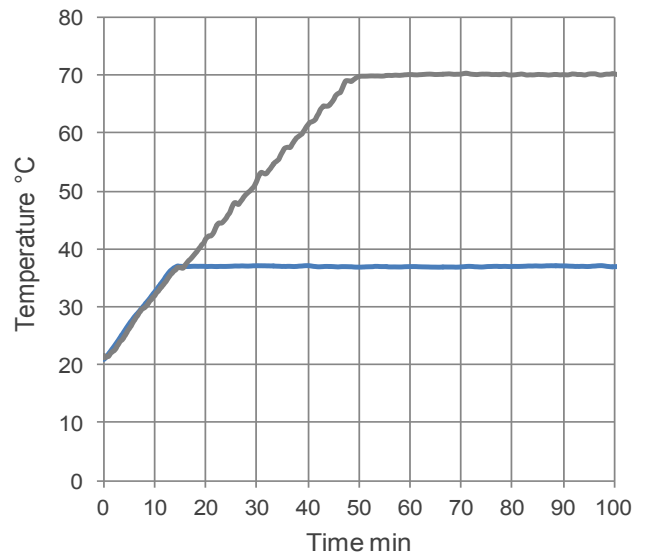
Typical performance data

Heat up time

Without lid



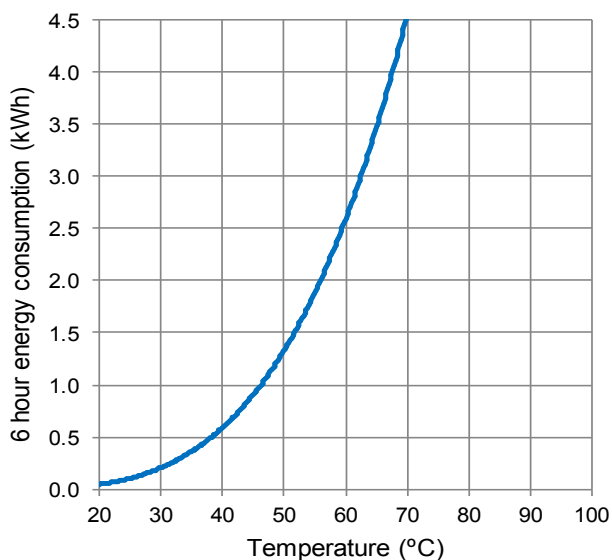
With lid



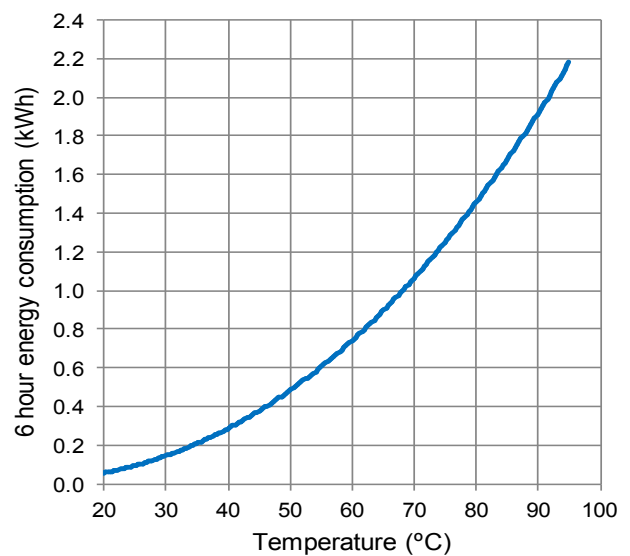
Heat up time from 20°C

Energy consumption

Without lid



With lid



Consumption is measured over a 6 hour period when the bath is controlling at set temperature. All figures are for guidance only. Consumption figures may vary due to factors such as ambient temperature, vessel loading and ventilation.