

Product Information and Prices



Elmasteam 4⁵ basic

Steam Jet Cleaner



Order numbers and list prices

Elmasteam 4 ⁵	basic	basic HP
Order number 220 - 240 V~	1068874	1098068
List price	1.180,00 €	1.510,00 €
Order number 115 - 220 V~	1072646	1098077
List price	1.360,00 €	1.640,00 €

Scope of delivery

▪ Steam Jet Cleaner
▪ Operating instructions
▪ Power cable with rubber connector (2 m length)
▪ Test strips to determine water hardness and chlorid content
▪ Filling sieve and tweezers
▪ Maintenance hose, flushing set, pressure vessel screw cap with spare O-rings

All prices ex works, excluding packaging.

Technical specifications serve as orientation values and are subject to tolerances due to production and manufacturing. Proper operation can only be guaranteed when using original Elma accessories.

Elmasteam 4⁵ basic

Product features and functions

▪ Constant steam pressure of 4.5 bar due to high heating power
▪ Operation via foot pedal with device version selectable between fixed nozzle (basic) or flexible handpiece (basic HP)
▪ Clear and easy - to - read display of operating status with visual warning of service intervals and error messages
▪ Simple, manual filling via the filling funnel
▪ Device incl. safety installations TÜV type - tested according to DIN EN 61010 - 1
▪ 3 years warranty in case of intended use

Technical Data - Mechanics

Elmasteam 4 ⁵	basic	basic HP
With fixed nozzle	•	
With handpiece		•
Max. operating pressure (bar)		4,5
Pressure tank capacity (l)		4,0
Max. tank capacity (l)		3,3
Unit ext. dimensions W / D / H (mm)	250 / 320 / 420	--
Unit ext. dimensions W ₁ / D ₁ / H (mm)	--	290 / 320 / 420
Weight (kg)		ca. 6,75
Length handpiece hose (m)	--	1,3

Technical specifications serve as orientation values and are subject to tolerances due to production and manufacturing. Proper operation can only be guaranteed when using original Elma accessories.

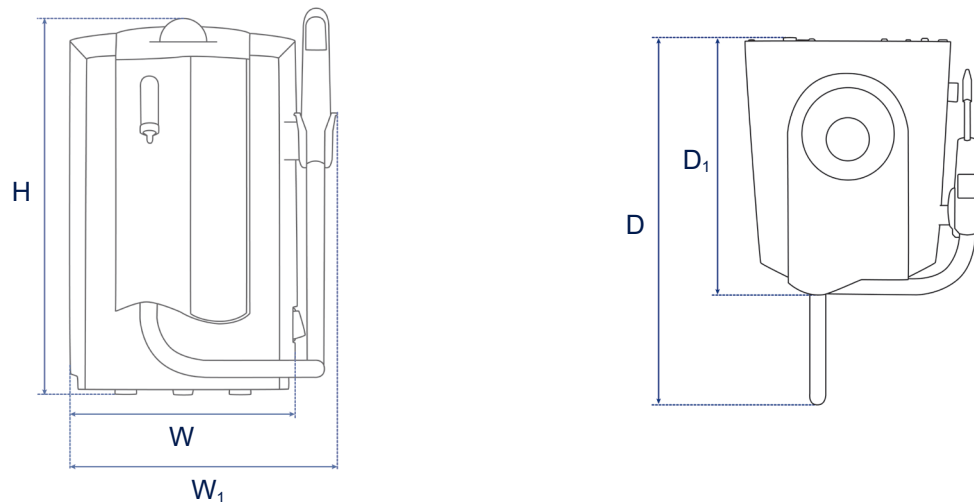
Elmasteam 4⁵ basic

Technical Data - Electronics

Elmasteam 4 ⁵	basic	basic HP
Mains voltage (V~)	220 - 240 / 115 - 220	
Mains frequency (Hz)	50 / 60	
Power consumption total (W) 220 - 240 / 115 - 220 V~	2800 / 1650	
Steam temperature tank (°C)	max. 155	
Steam temperature nozzle (°C)	max. 135	

Dimension definition

Unit outer dimensions



The drawings are merely included as a visualization aid and are not true to scale.

Technical specifications serve as orientation values and are subject to tolerances due to production and manufacturing. Proper operation can only be guaranteed when using original Elma accessories.