

IKA

designed for scientists

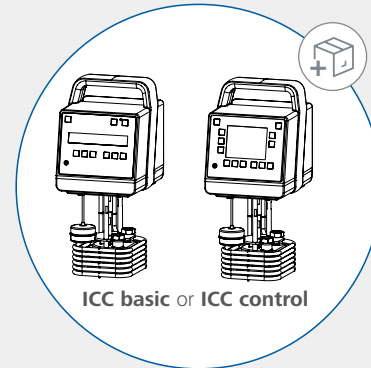
IKA ICC basic IB R RO 15 eco
IKA ICC control IB R RO 15 eco



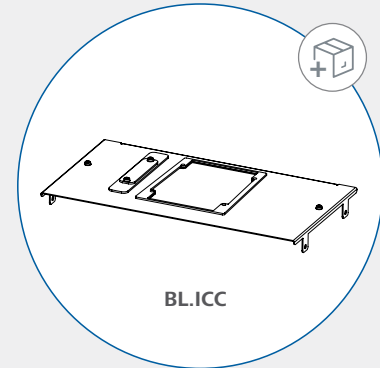
Observe the Operating Instructions of the ICC basic / control and RO 15!



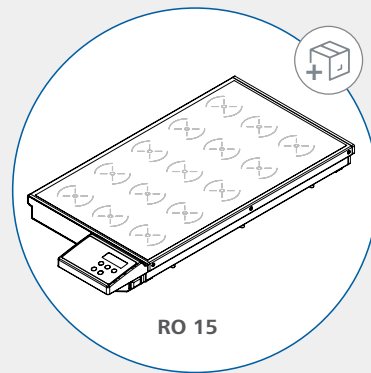
Delivery scope



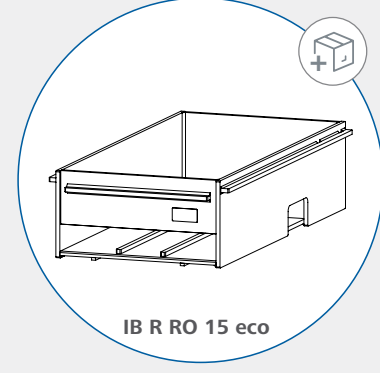
ICC basic or ICC control



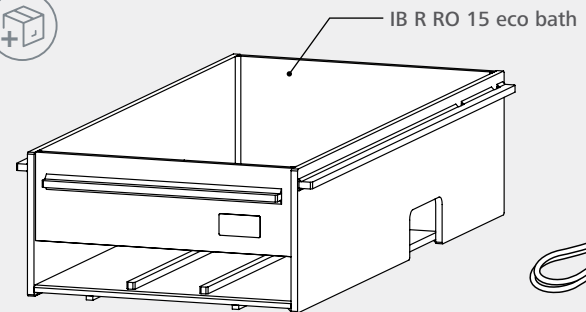
BL.ICC



RO 15

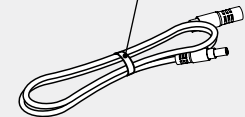


IB R RO 15 eco



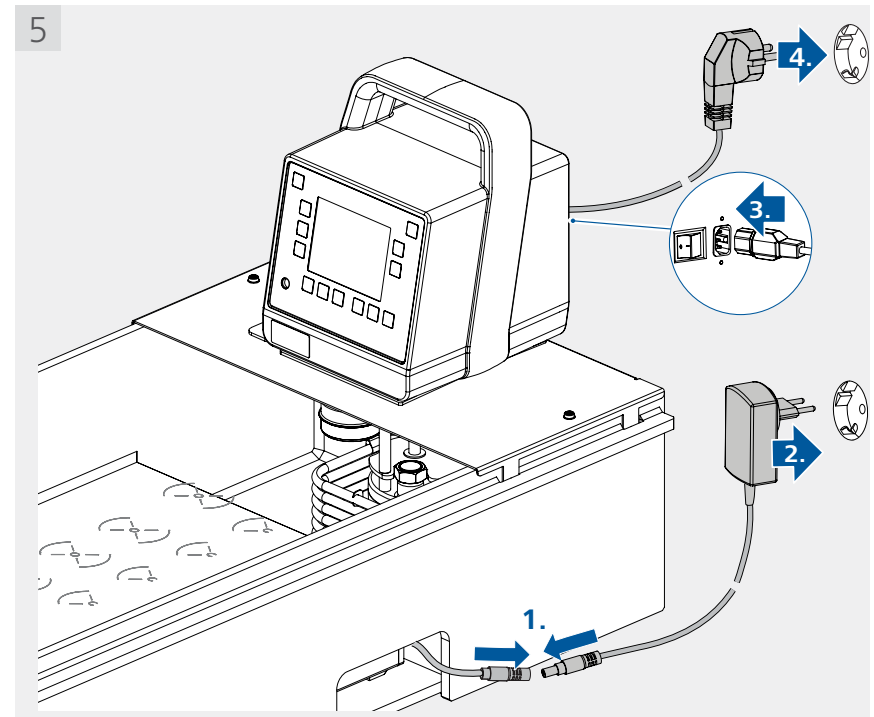
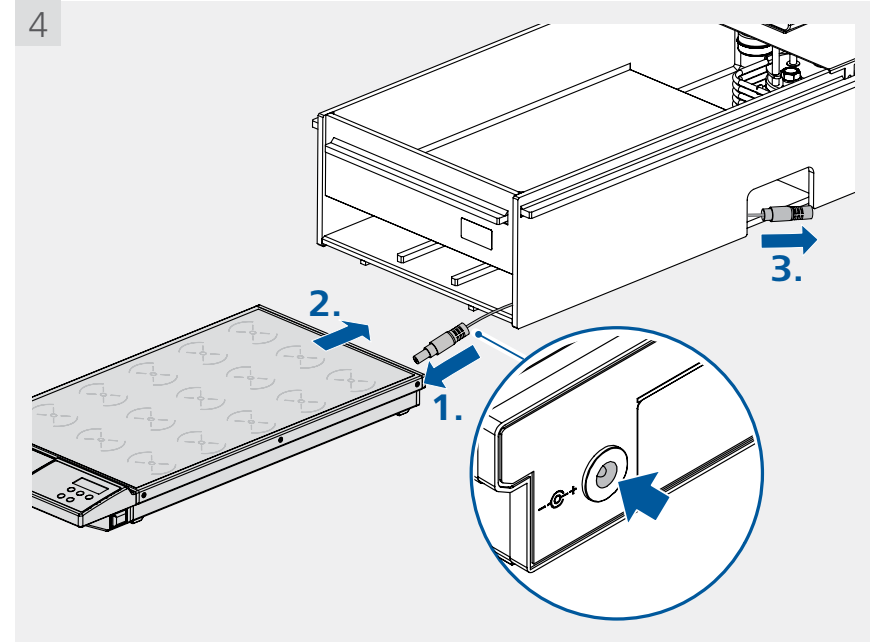
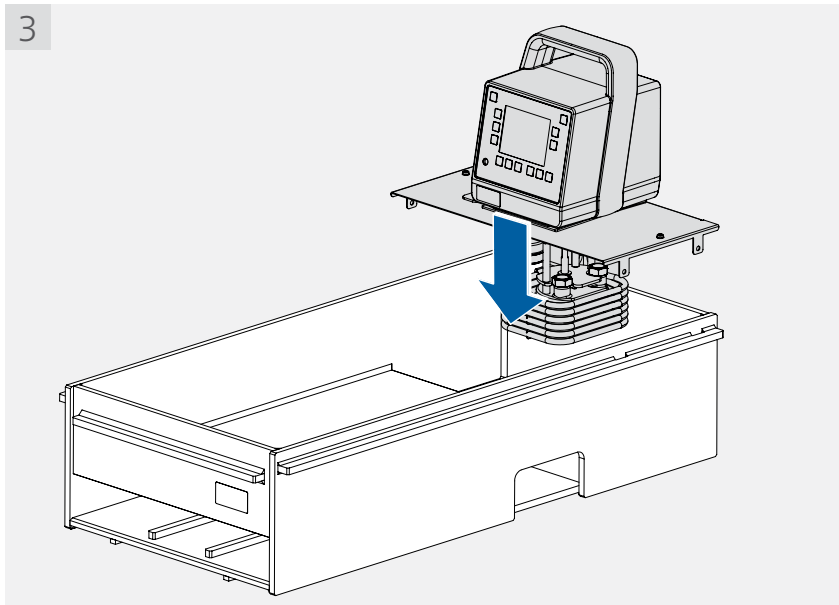
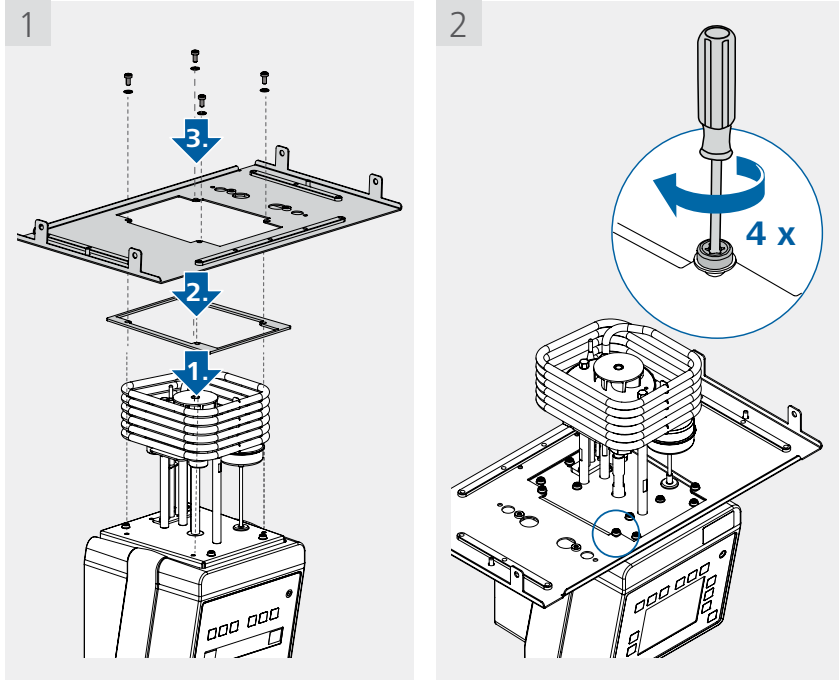
IB R RO 15 eco bath

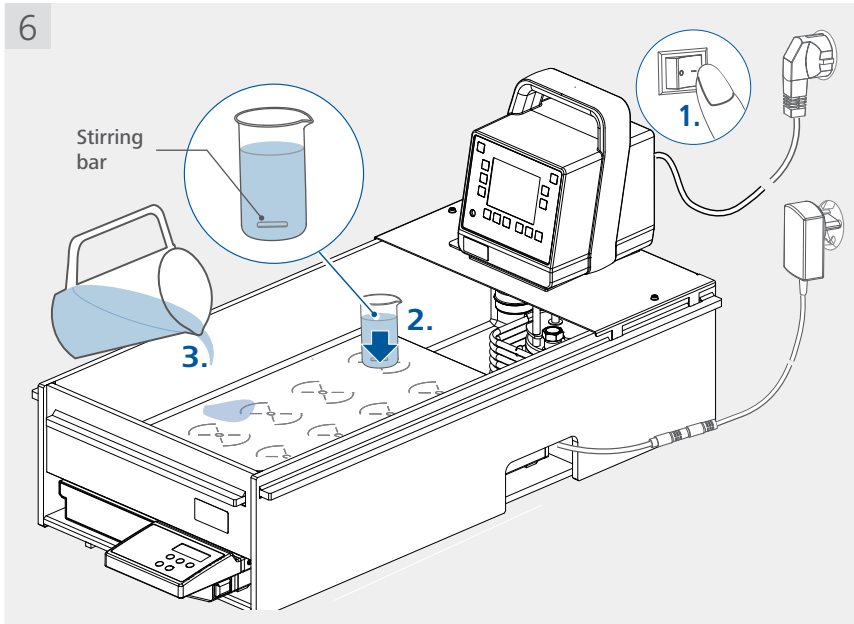
Extension cord





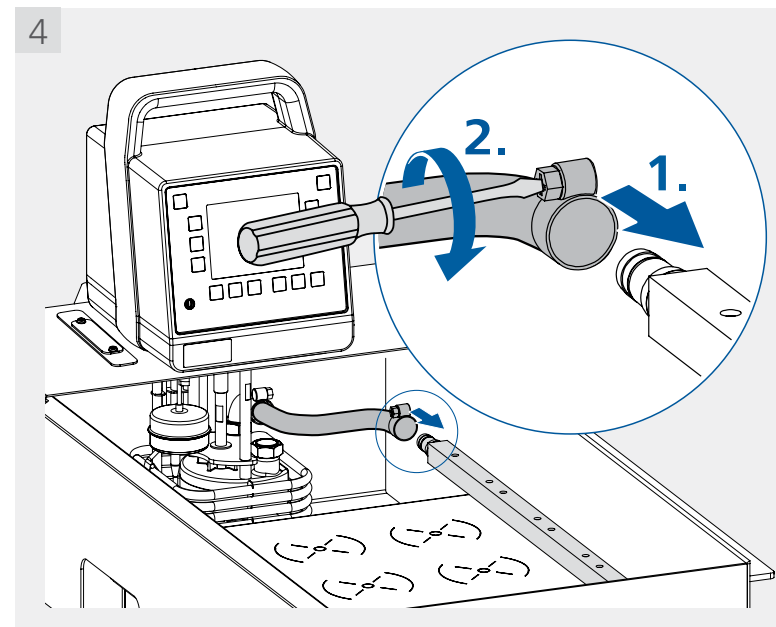
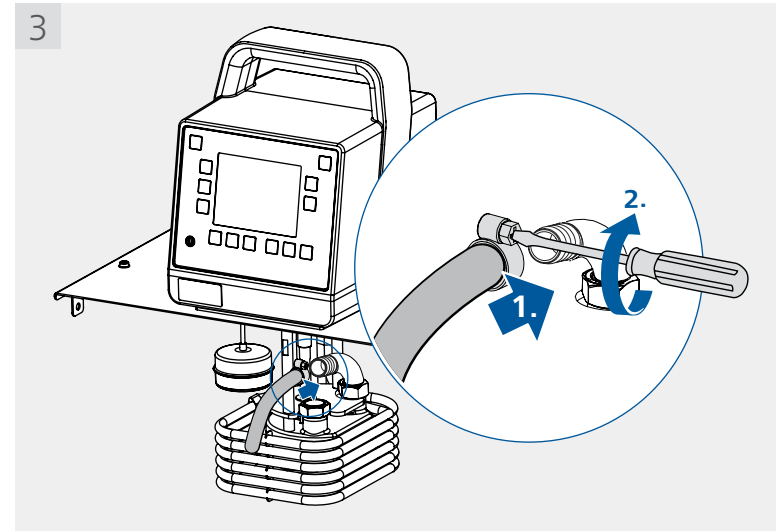
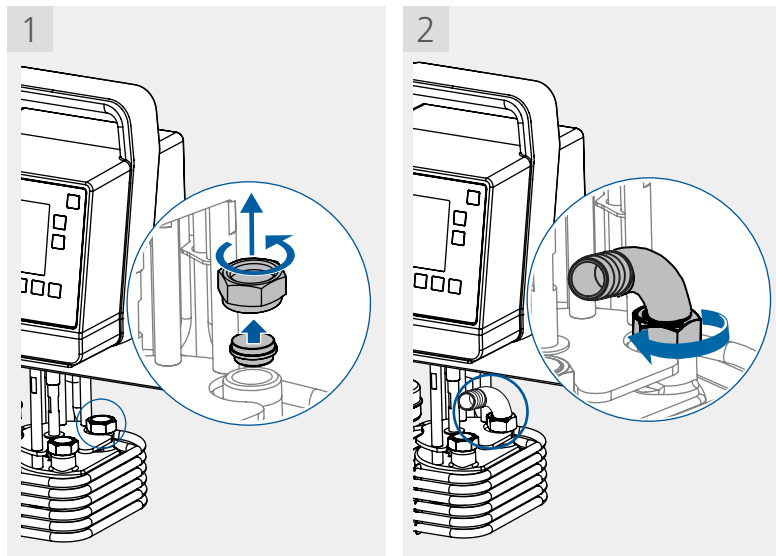
Installation





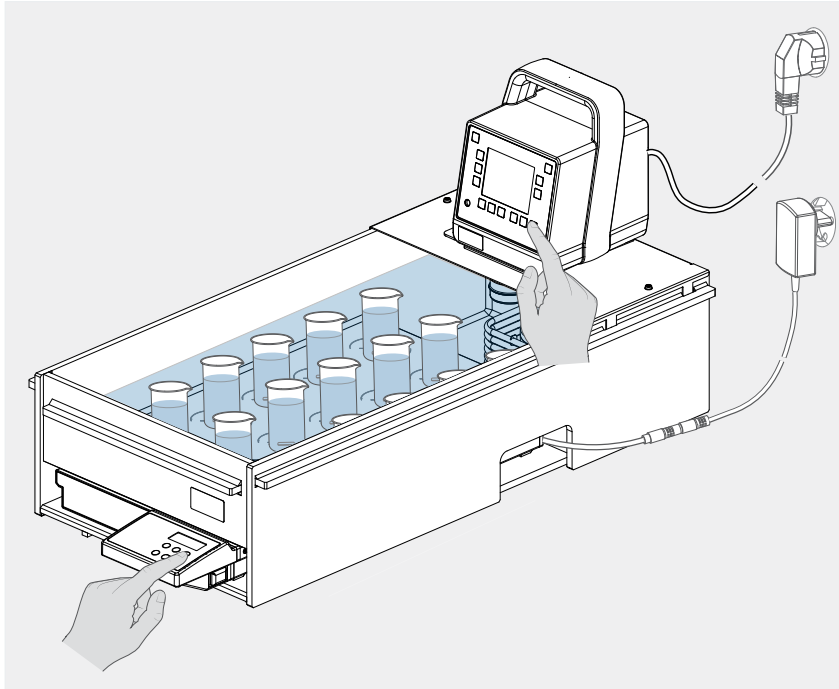
! Untreated tap water is not recommended. It is recommended to use distilled water or high purity water (ion exchangers) and add 0.1 g soda (sodium carbonate Na_2CO_3) / liter, to reduce corrosive properties.

i In order to improve the temperature uniformity of the fluid in the bath, you can connect the accessory pump distribution set **PDS.IB.R.RO**.





Operation



For operation, please refer to the operating instructions of the **ICC basic / control** and **RO 15!**

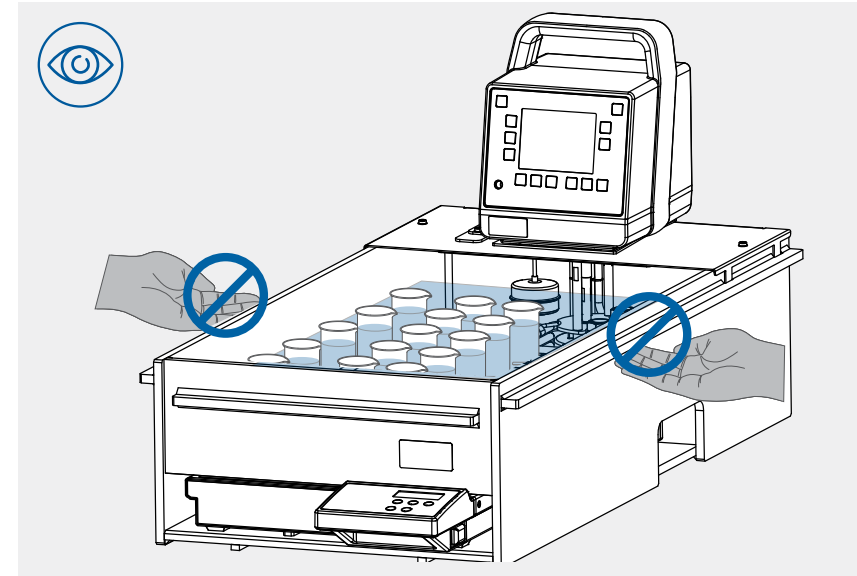


The maximum temperature in the plastic bath (**IB R RO15 eco**): 80 °C (water only)!

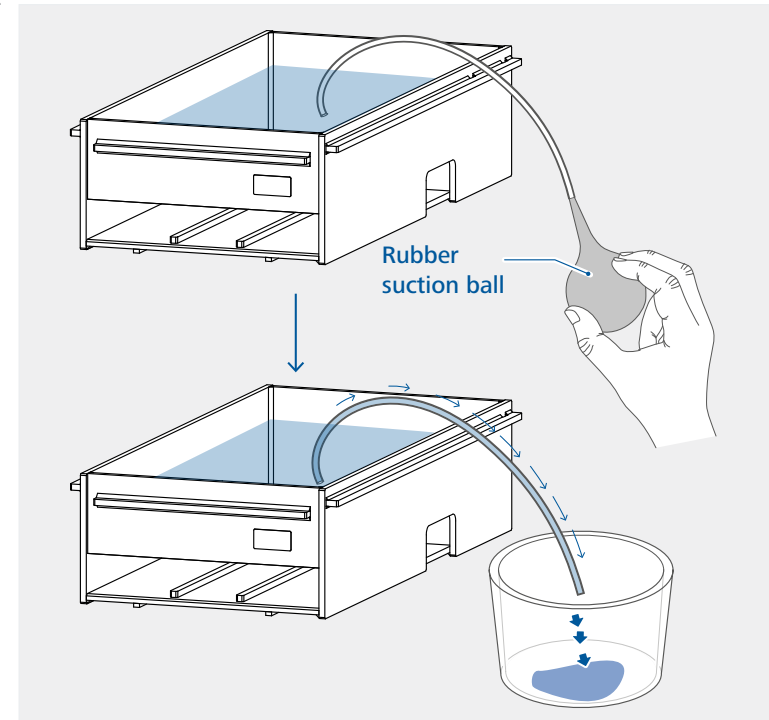
For higher temperature and oil use, we recommend the stainless steel bath (**IB R RO15 pro**) (max. 130 °C).

Note: when working at temperatures higher than 45 °C, we suggest to use floating globes to avoid too fast loss of water by evaporation. Maximum temperature difference between refilled water and actual bath temperature should be less than 10 K.

Transportation:



Before transportation, please remove the devices (**ICC & RO 5**) and empty the fluid in the bath! Never lift the handles when the bath is filled with fluid!



Note:



designed for scientists

IKA-Werke GmbH & Co. KG

Janke & Kunkel-Straße 10, 79219 Staufen, Germany
Phone: +49 7633 831-0, Fax: +49 7633 831-98
eMail: sales@ika.de

USA

IKA Works, Inc.
Phone: +1 910 452-7059
eMail: usa@ika.net

KOREA

IKA Korea Ltd.
Phone: +82 2 2136 6800
eMail: sales-lab@ika.kr

BRAZIL

IKA Brazil
Phone: +55 19 3772 9600
eMail: sales@ika.net.br

MALAYSIA

IKA Works (Asia) Sdn Bhd
Phone: +60 3 6099-5666
eMail: sales.lab@ika.my

CHINA

IKA Works Guangzhou
Phone: +86 20 8222 6771
eMail: info@ika.cn

POLAND

IKA Poland Sp. z o.o.
Phone: +48 22 201 99 79
eMail: sales.poland@ika.com

JAPAN

IKA Japan K.K.
Phone: +81 6 6730 6781
eMail: info_japan@ika.ne.jp

INDIA

IKA India Private Limited
Phone: +91 80 26253 900
eMail: info@ika.in

UNITED KINGDOM

IKA England LTD.
Phone: +44 1865 986 162
eMail: sales.english@ika.com

VIETNAM

IKA Vietnam Company Limited
Phone: +84 28 38202142
eMail: sales.lab-vietnam@ika.com

Discover and order the fascinating products of IKA online:
www.ika.com



IKAworlwide



IKAworlwide /// #lookattheblue



@IKAworlwide