

IKA

designed for scientists

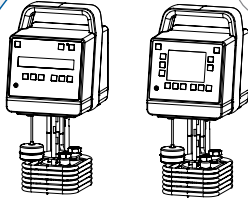
IKA ICC basic IB R RO 15 pro
IKA ICC control IB R RO 15 pro



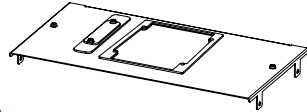
Observe the Operating Instructions of the ICC basic / control and RO 15!



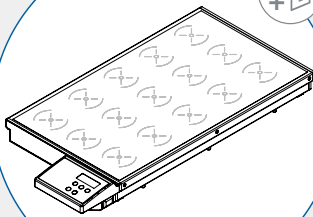
Delivery scope



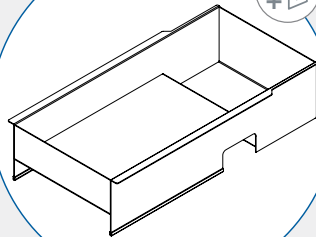
ICC basic or ICC control



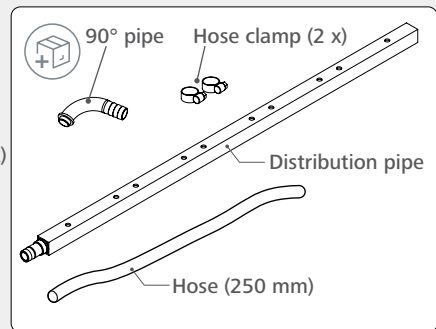
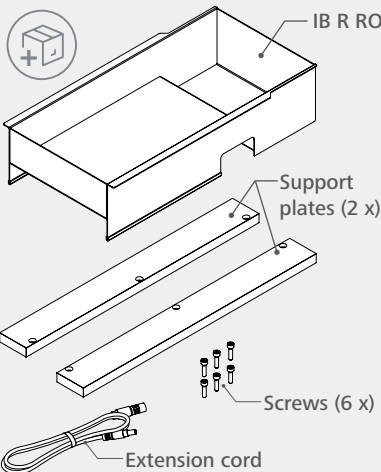
BL.ICC



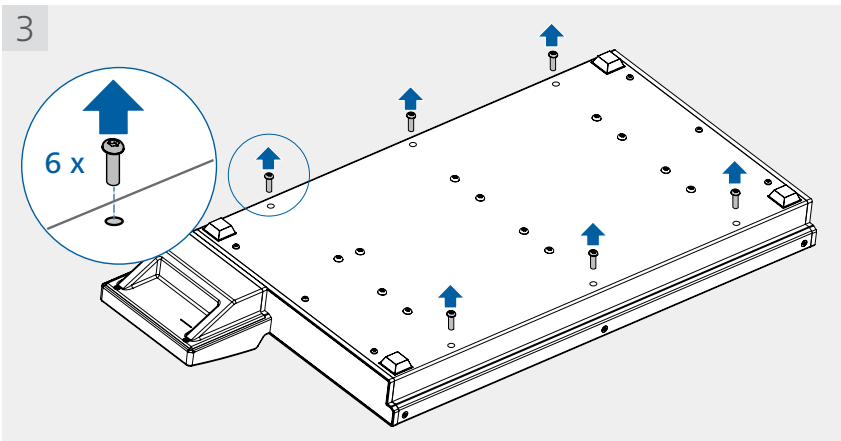
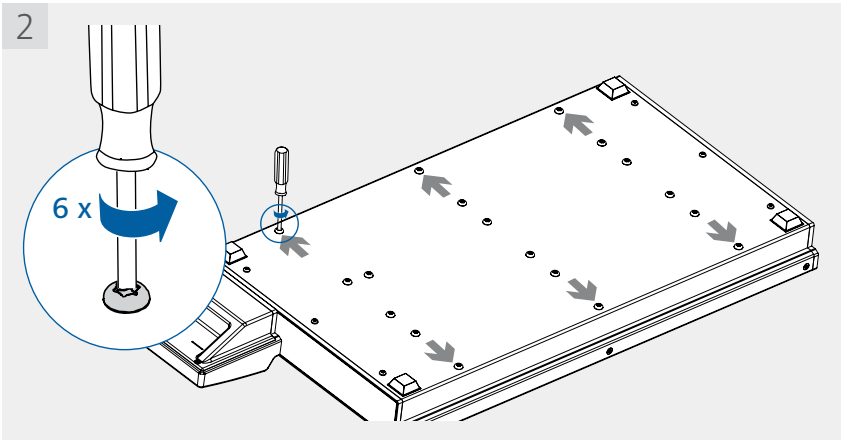
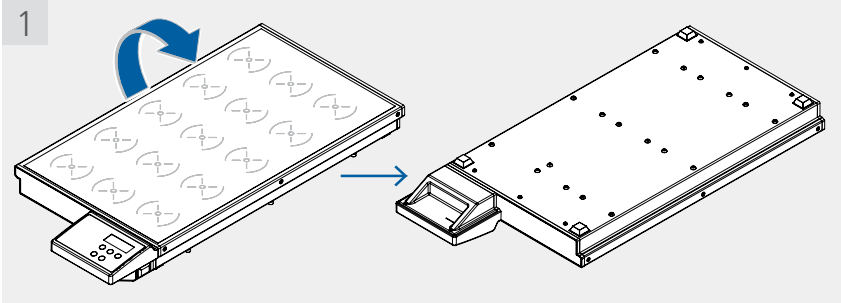
RO 15

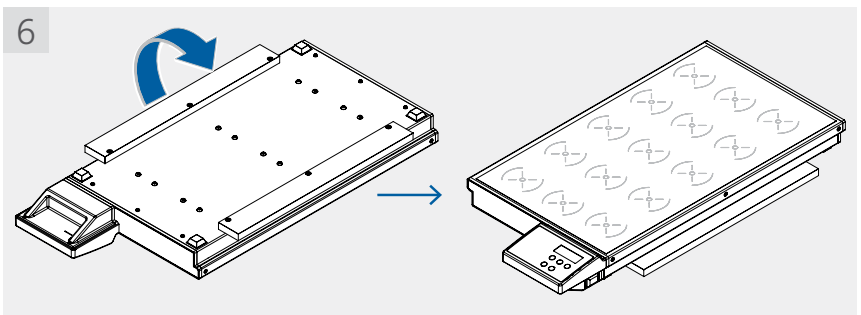
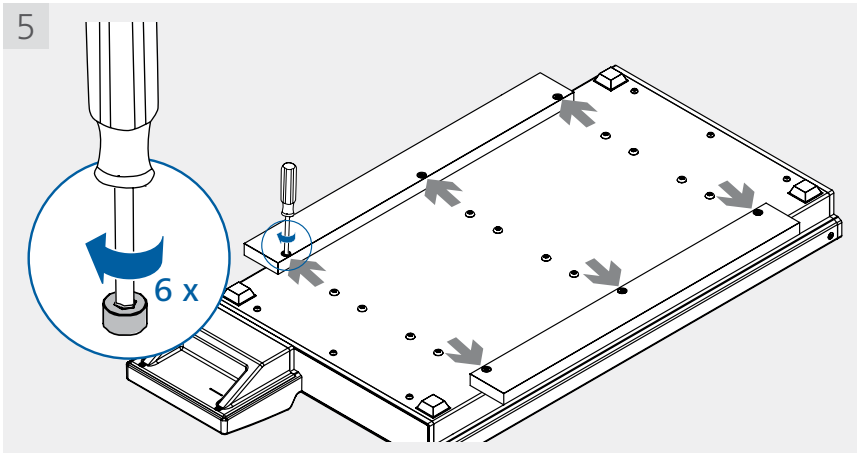
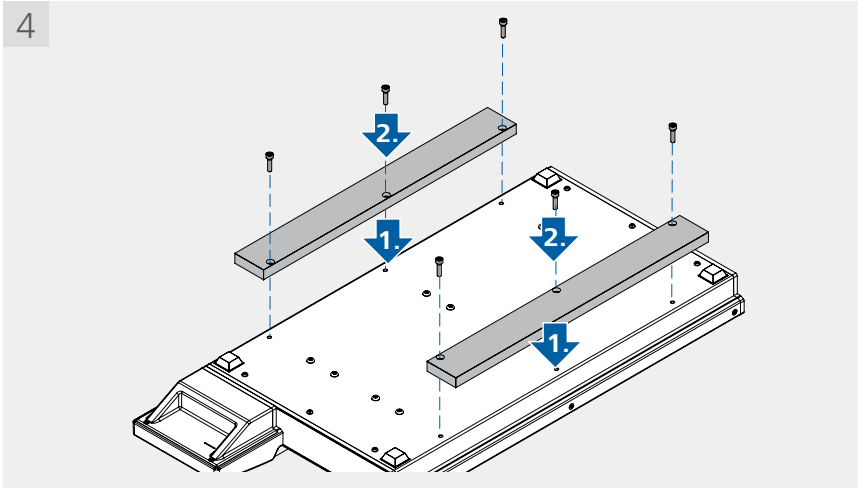


IB R RO 15 pro

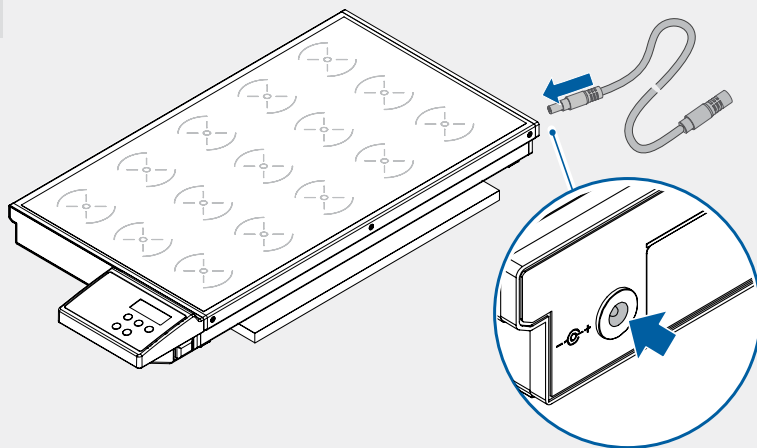


Installation

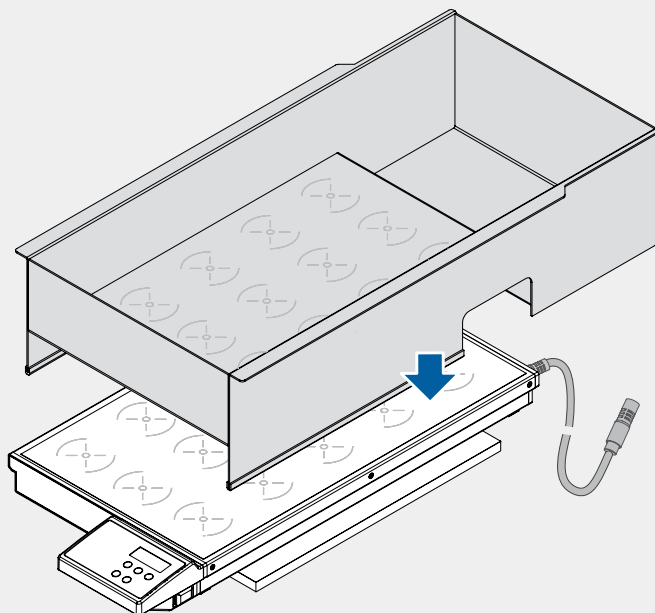


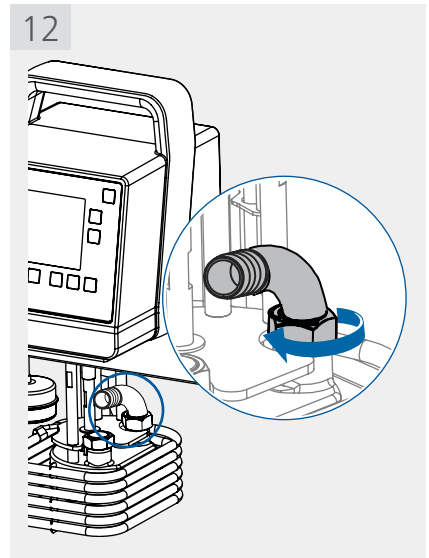
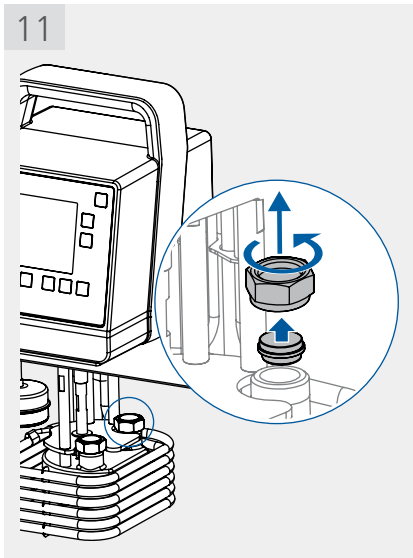
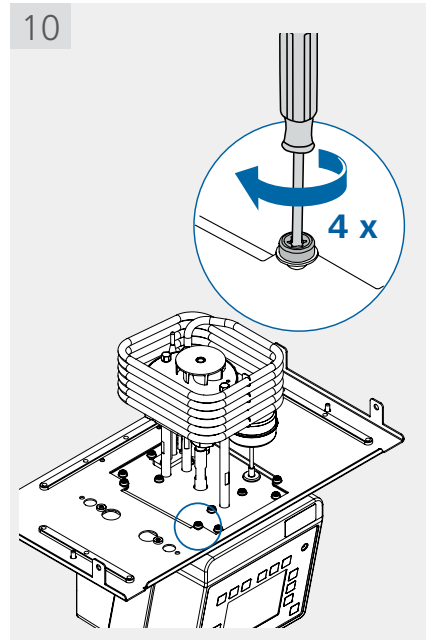
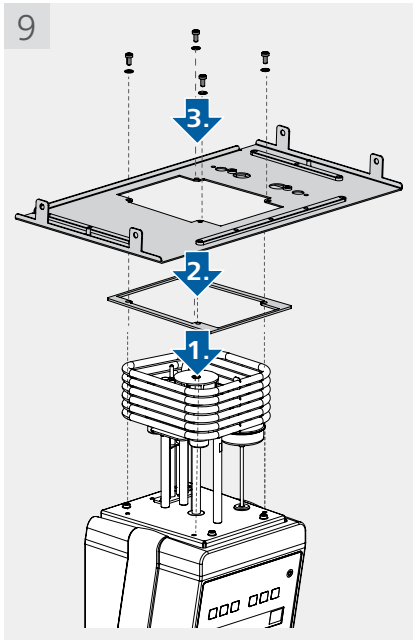


7

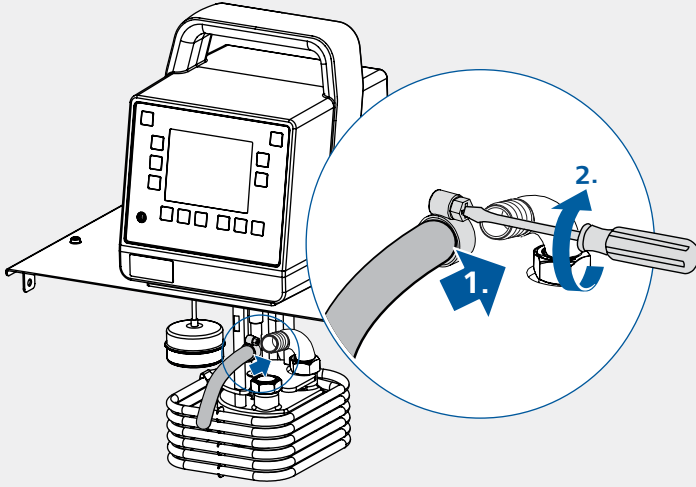


8

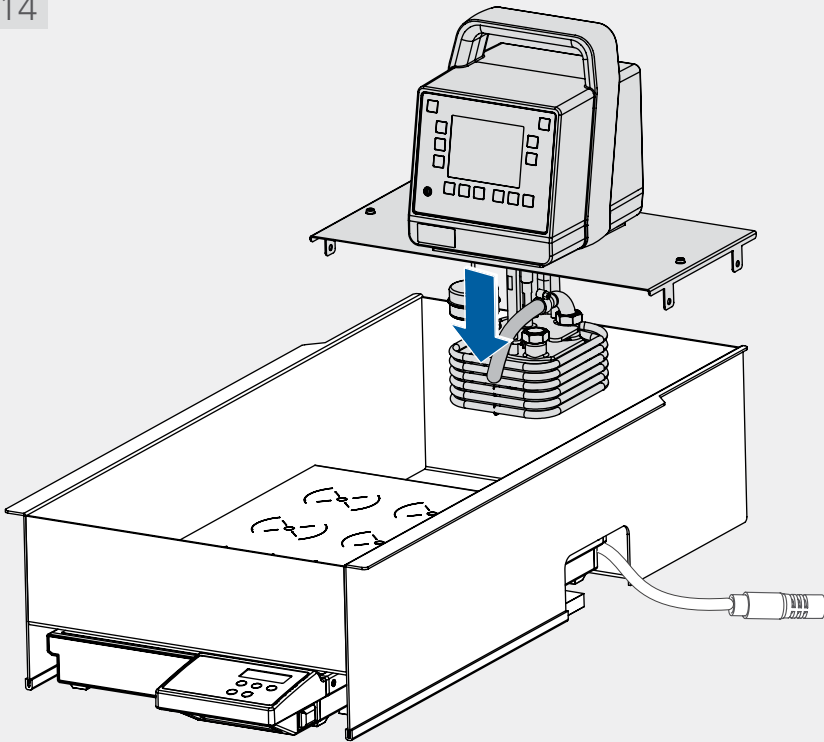




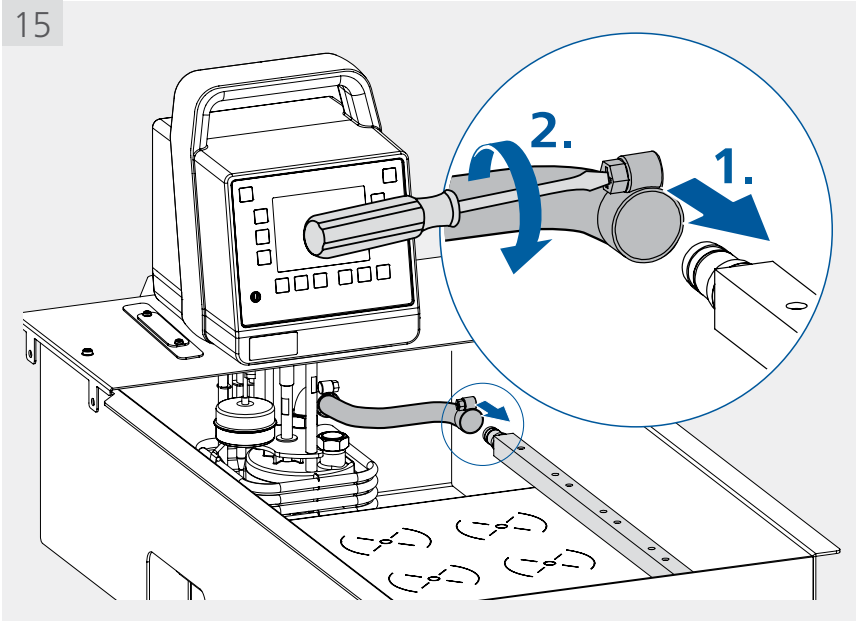
13



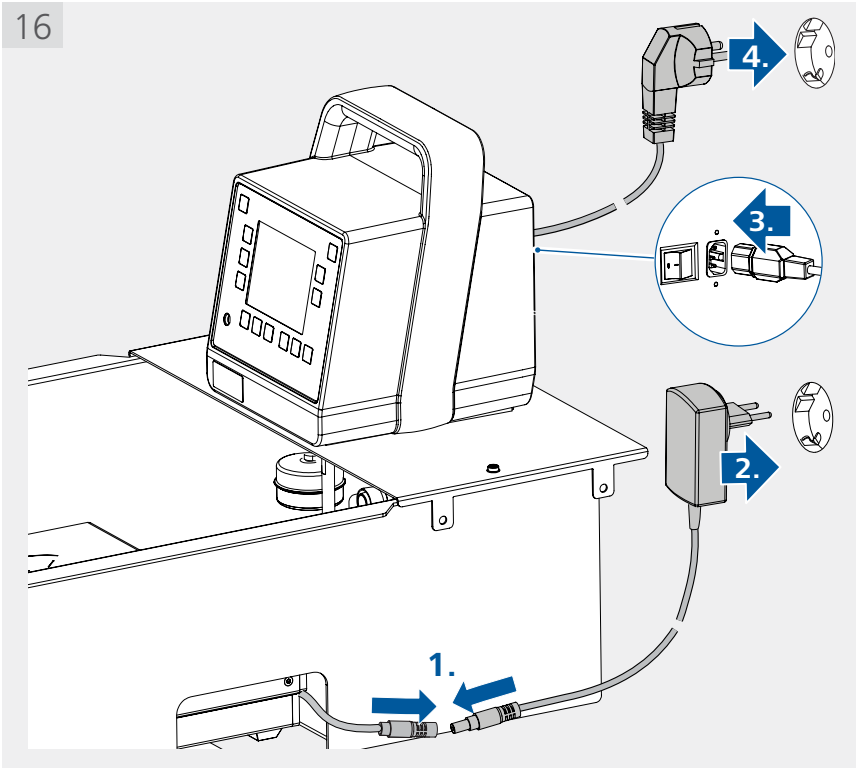
14

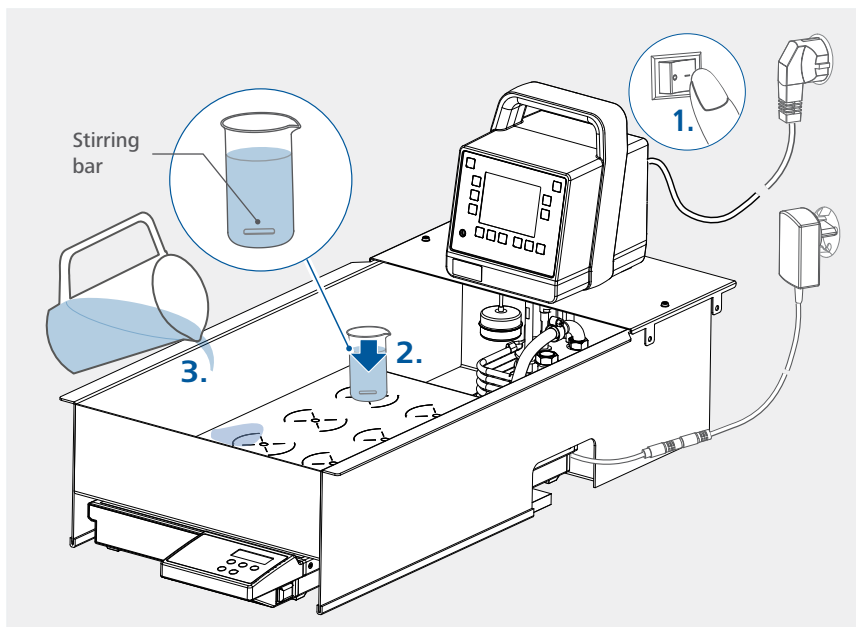


15



16

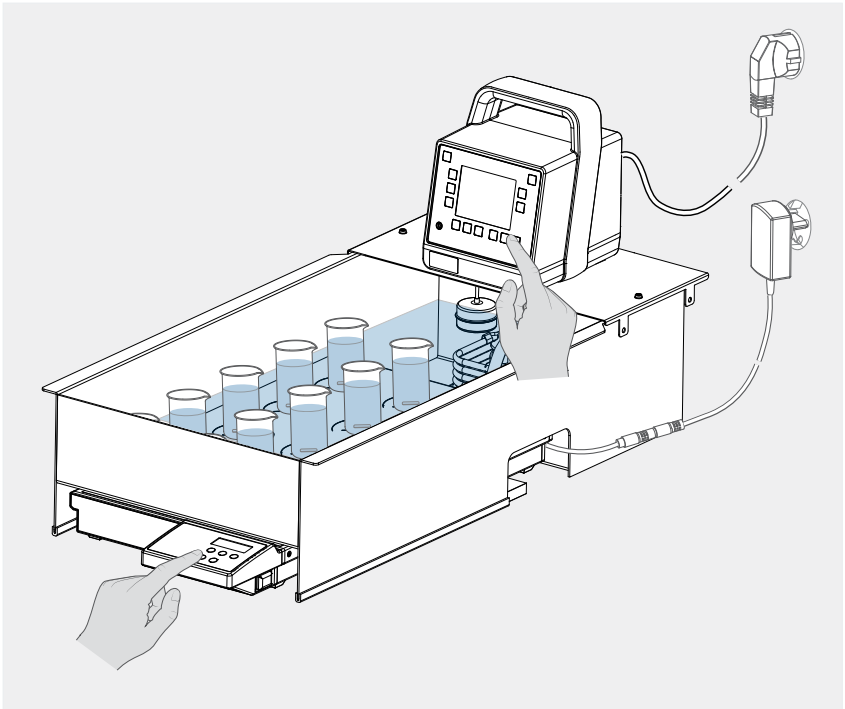




Untreated tap water is not recommended. It is recommended to use distilled water or high purity water (ion exchangers) and add 0.1 g soda (sodium carbonate Na_2CO_3) / liter, to reduce corrosive properties.



Operation



For operation, please refer to the operating instructions of the **ICC basic / control** and **RO 15**!



Note: when using water and working at temperatures higher than 45 °C, we suggest to use floating globes to avoid too fast loss of water by evaporation.

The maximum temperature in the stainless steel bath (**IB R RO15 pro**): 130 °C!



designed for scientists

IKA-Werke GmbH & Co. KG

Janke & Kunkel-Straße 10, 79219 Staufen, Germany
Phone: +49 7633 831-0, Fax: +49 7633 831-98
eMail: sales@ika.de

USA

IKA Works, Inc.
Phone: +1 910 452-7059
eMail: usa@ika.net

KOREA

IKA Korea Ltd.
Phone: +82 2 2136 6800
eMail: sales-lab@ika.kr

BRAZIL

IKA Brazil
Phone: +55 19 3772 9600
eMail: sales@ika.net.br

MALAYSIA

IKA Works (Asia) Sdn Bhd
Phone: +60 3 6099-5666
eMail: sales.lab@ika.my

CHINA

IKA Works Guangzhou
Phone: +86 20 8222 6771
eMail: info@ika.cn

POLAND

IKA Poland Sp. z o.o.
Phone: +48 22 201 99 79
eMail: sales.poland@ika.com

JAPAN

IKA Japan K.K.
Phone: +81 6 6730 6781
eMail: info_japan@ika.ne.jp

INDIA

IKA India Private Limited
Phone: +91 80 26253 900
eMail: info@ika.in

UNITED KINGDOM

IKA England LTD.
Phone: +44 1865 986 162
eMail: sales.english@ika.com

VIETNAM

IKA Vietnam Company Limited
Phone: +84 28 38202142
eMail: sales.lab-vietnam@ika.com

Discover and order the fascinating products of IKA online:
www.ika.com



IKAworlwide



IKAworlwide /// #lookattheblue



@IKAworlwide