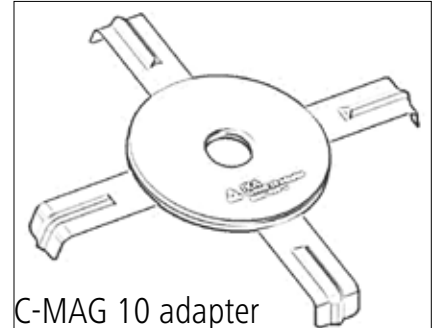


IKA® Heating block adapter for C-MAG



C-MAG 7 adapter



C-MAG 10 adapter

Safety instructions



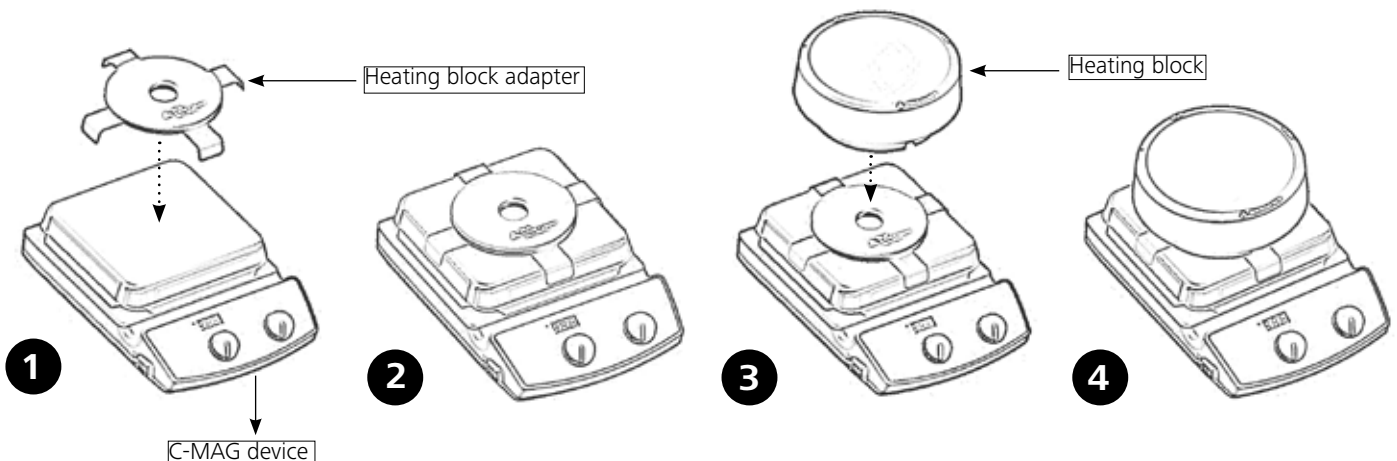
- Read the operating instructions completely before using the heating block adapter and follow the safety instructions.
- Keep the operating instructions in a place where it can be accessed by everyone.
- Please note that the maximum temperature allowed by the heating block adapter is 400 °C.
- Use suitable heating block adapter according to the size of C-MAG device.
- It is normal that the clamps will discolor after by heating up.



- Pay attention to the residual heat after processing.
- Never carry the heating block adapter around as long as it is hot.

Correct use

Please operate according to below illustrations!



IKA® - Werke GmbH & Co.KG

Janke & Kunkel-Str. 10

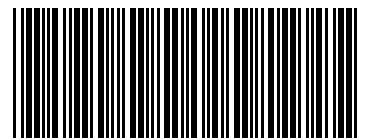
D-79219 Staufen

Tel. +49 7633 831-0

Fax +49 7633 831-98

sales@ika.de

www.ika.com



25002041